

**Model GR-C2**  
**(D196/D214/D219/D220/D236)**  
**Parts Catalog**

**Parts change information sample**

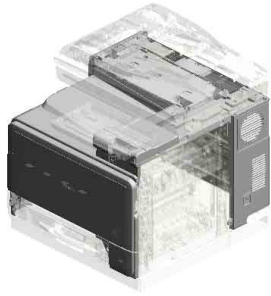
 **Add**

 **Update**

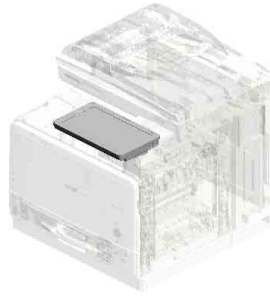
 **Delete**

Model	Product Code	PC Style
MP C306ZSP/C306ZSPF/MP C406ZSP/MP C406ZSPF	D196/D214/D219/D220/D236	3D
ARDF DF1040	D3BE	3D
Paper Feed Unit PB1080	D573	3D
1 Bin Tray BN1020	D574	3D
Smart Operation Panel	D196	Traditional
Fax Connection Unit Type M13	D3AA	Traditional
Fax Option Type M13	D3A9	Traditional
Handset Type C5502	D645	Traditional
IEEE 802.11a/g/n Interface Unit Type M2	D164	Traditional
IEEE 1284 Interface Board Type A	B679	Traditional
Bluetooth Interface Unit Type D	D566	Traditional
Camera Direct Print Card Type M13	D3AC	Traditional
XPS Direct Print Option Type M13	D3AC	Traditional
USB Device Server Option Type M12	D3A7	Traditional
SD Card for Fonts Type D	D641	Traditional
File Format Converter Type E	D377	Traditional
Copy Data Security Unit Type G	D640	Traditional
Enhanced Security HDD Option Type M10	D792	Traditional
Data Overwrite Security Unit Type I	D362	Traditional
OCR Unit Type M13	D3AC	Traditional
Optional Counter Interface Unit Type M12	B870	Traditional
NFC Card Reader Type M13	D3AC	Traditional
Platen Cover PN1010	D607	Traditional

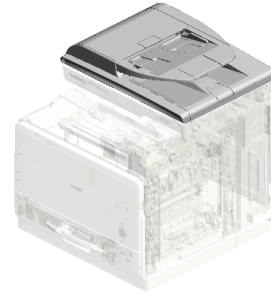
# Unit All



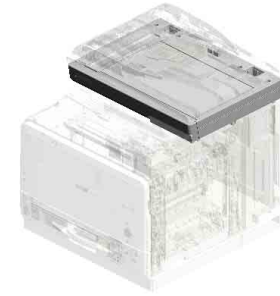
U001  
EXTERIOR



U002  
OPERATION



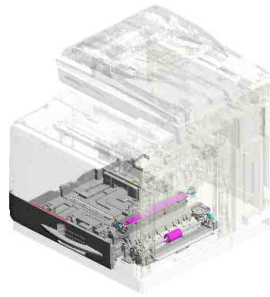
U003  
ADF



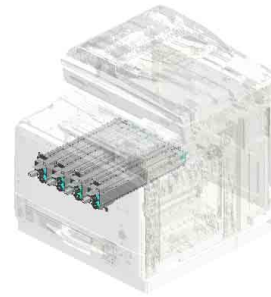
U004  
SCANNER



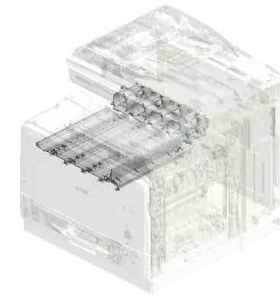
U005  
LASER UNIT



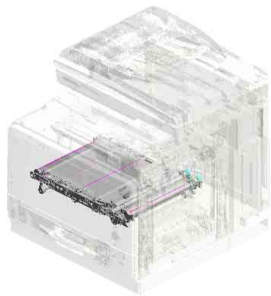
U006  
PAPER FEED



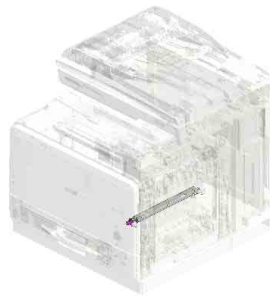
U007  
PCDU



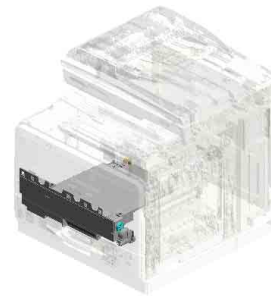
U008  
DEVELOPMENT



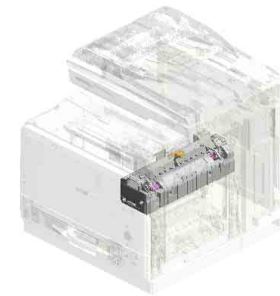
U009  
ITB UNIT



U010  
SEPARATION/TRANSPORT

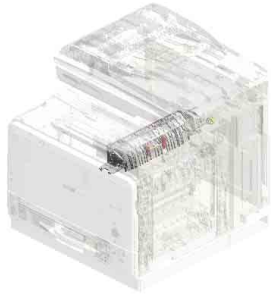


U011  
USED TONER



U012  
FUSING

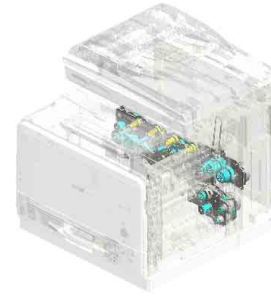
# Unit All



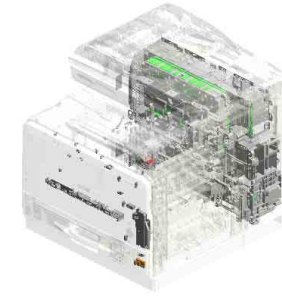
U013  
PAPER EXIT



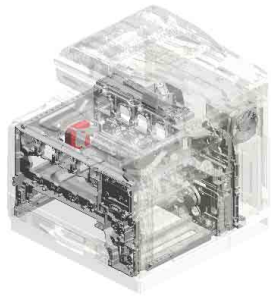
U014  
DUPLEX



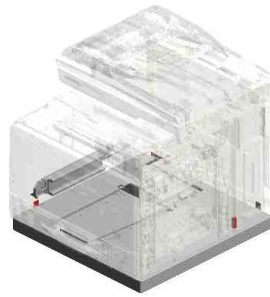
U015  
MAIN DRIVE



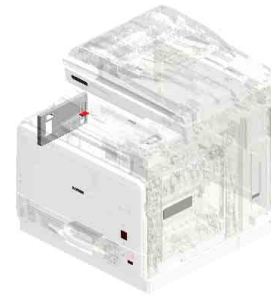
U016  
ELECTRICAL



U017  
MAIN FRAME



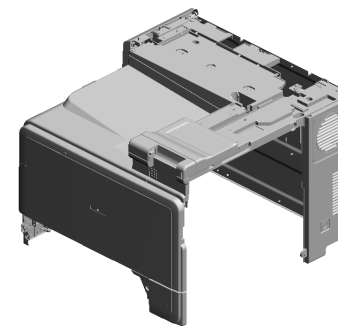
U018  
OPTION



U019  
ACCESSORIES

# U001 EXTERIOR

- 13.D1171307 (x2) MAGNET CATCH:COVER:FRONT
- 3.04513006N (x2) TAPPING SCREW - 3X6
- 7.D1171301 COVER:FRONT
- 2.04503008N (x10) TAPPING SCREW - M3X8
- 6.AG070513 MAGNET CATCH



- 4.04583010N (x25) HEXAGON HEAD TAPPING SCREW:3X10

- 8.D1171302 HINGE:COVER:FRONT:RIGHT

- 5.54472681 (x2) SNAP RING

- 10.D1171304 BRACKET:HINGE:RIGHT

- 14.D1171308 COVER:FRONT LOWER

- 18.D1171326 LOUVER:DUCT
- 16.D1171324 COVER:DEODORIZING FILTER
- 17.D1171325 LOUVER:COVER:RIGHT REAR
- 12.D1171306 (x2) PIN:HINGE
- 1.03603006N (x13) SCREW - M3X6

- 2.04503008N (x 1) TAPPING SCREW - M3X8

- 20.D1171353 COVER:UPPER LEFT

- 15.D1171313 COVER:UPPER

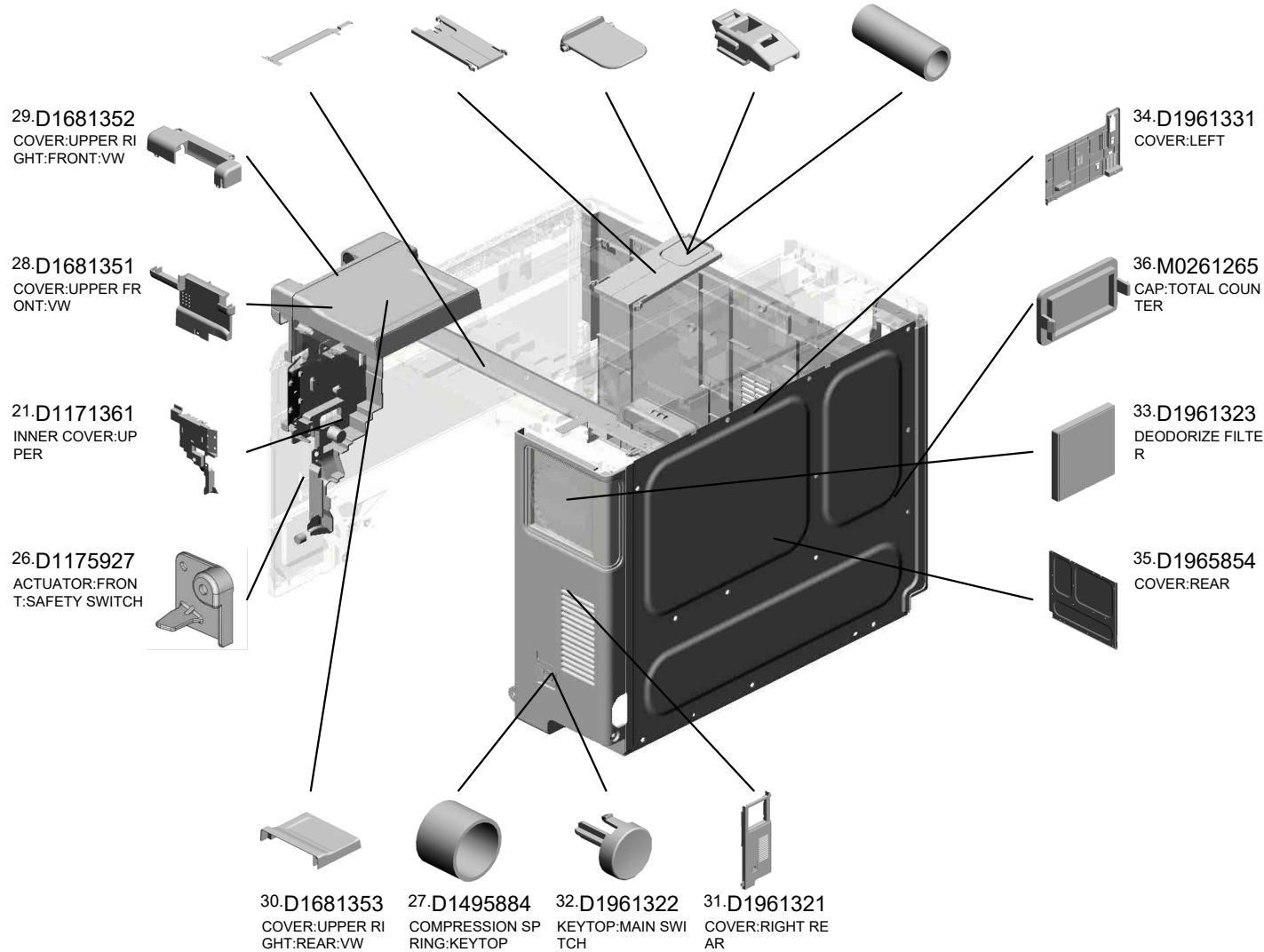
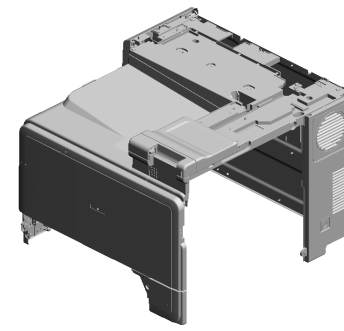
- 19.D1171351 COVER:SUPPORT:SCANNER

- 9.D1171303 HINGE:COVER:FRONT:LEFT

- 11.D1171305 BRACKET:HINGE:LEFT

# U001 EXTERIOR

- 37.D1171358 GROUND PLATE:UPPER:ASS'Y
- 22.D1174495 EXTENSION TRAY:EXIT
- 23.D1174496 END FENCE:EXIT
- 24.D1174498 STOPPER:END FENCE:EXIT
- 25.D1174499 COMPRESSION SPRING:END FENCE:EXIT



# U002.OPERATION

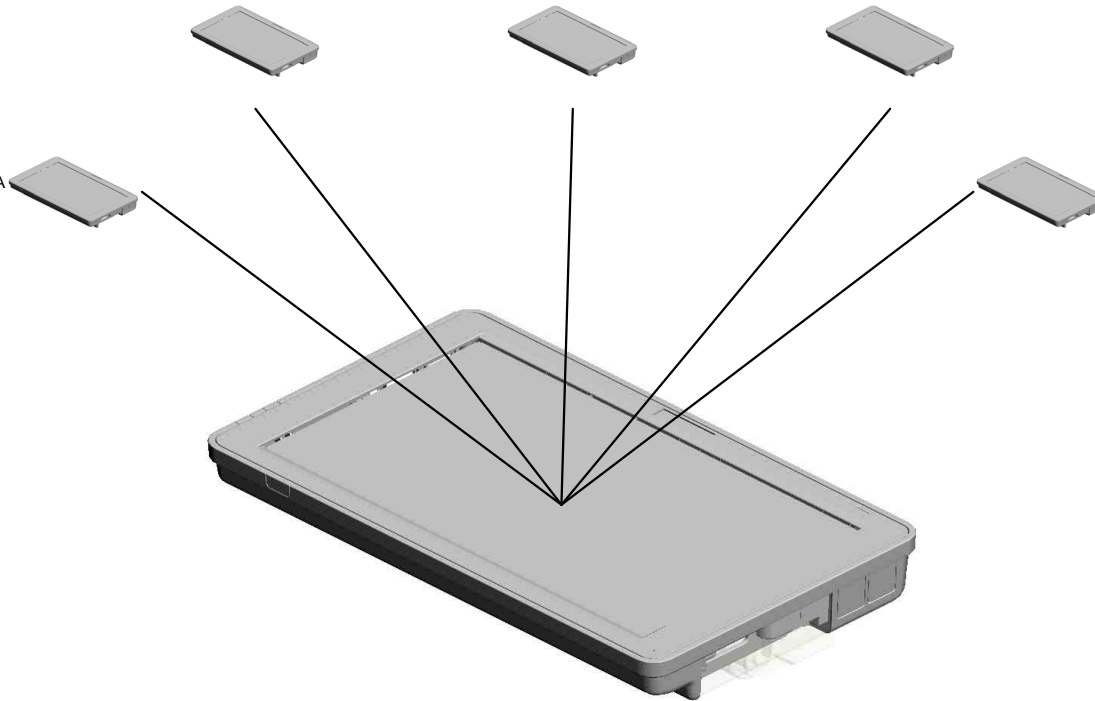
U002\_S001  
D1961575  
(-EU,-NA,-AA,-KOR,-TWN):OPERATION SUB-UNIT:ASSY

U002\_S002  
D1961575  
(-EU,-NA,-AA,-KOR,-TWN):OPERATION SUB-UNIT:ASSY

U002\_S003  
D1961575  
(-EU,-NA,-AA,-KOR,-TWN):OPERATION SUB-UNIT:ASSY

U002\_S005  
D1961560  
(-CHN):OPERATION PANEL:ASSY

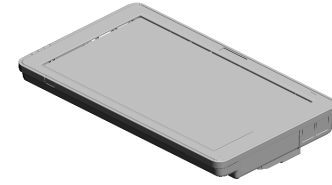
U002\_S004  
D1961575  
(-EU,-NA,-AA,-KOR,-TWN):OPERATION SUB-UNIT:ASSY



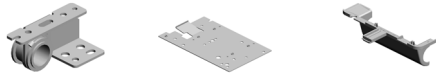
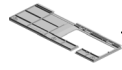
U001	<b>U002</b>	U003	U004	U005	U006	U007	U008	U009	U010	U011	U012	U013	U014	U015	U016	U017	U018	U019
------	-------------	------	------	------	------	------	------	------	------	------	------	------	------	------	------	------	------	------

# U002 OPERATION

6.D1181530 HINGE:LEFT:ASSY  
 12.D1961496 PLATE:HINGE  
 9.D1961493 COVER:HINGE:G2



10.D1961494  
 COVER:REAR:MID  
 DLE

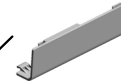


5.D1181529  
 HINGE:RIGHT:ASSY



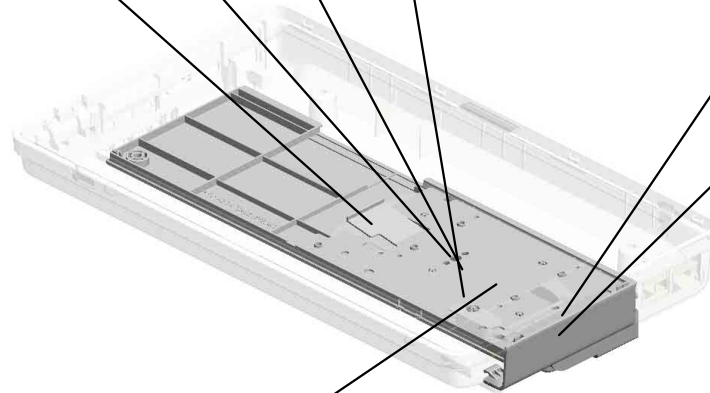
4.11050582  
 (x2)  
 CLAMP:RBWS-051  
 0D-V0

11.D1961495  
 COVER:SIDE

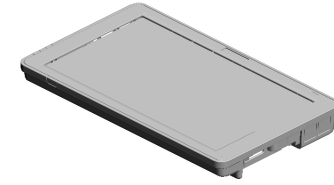


- 1. 03530040N(x 8)  
SCREW - M3X4
- 2. 03530060N(x 3)  
BIND SCREW - M3X6
- 3. 04583010N(x 5)  
HEXAGON HEAD TAPPING SCREW:3X  
10

8.D1961492  
 COVER:HINGE:G1



U002\_S001  
(-EU,-NA,-AA,-KOR,-TWN):OPERATION SUB-UNIT:ASS'Y

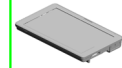


17.D1961575  
[A]  
(-EU,-NA,-AA,-KOR,  
-TWN):OPERATION  
SUB-UNIT:ASS'Y  
201807-01 O/O

See 2D parts catalog  
for the components of  
the Smart Operation  
Panel.

#### 14.Note

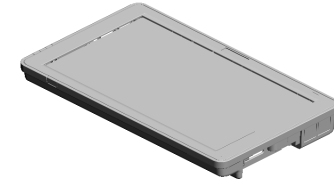
See 2D parts catalog  
for the components of  
the Smart Operation  
Panel.



D1961555  
[A]  
(-EU,-NA,-AA,-KOR,  
-TWN):OPERATION  
SUB-UNIT:ASS'Y  
201807-01 O/O

U001	U002	U003	U004	U005	U006	U007	U008	U009	U010	U011	U012	U013	U014	U015	U016	U017	U018	U019
------	------	------	------	------	------	------	------	------	------	------	------	------	------	------	------	------	------	------

U002\_S002  
(-EU,-NA,-AA,-KOR,-TWN):OPERATION SUB-UNIT:ASS'Y

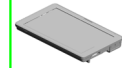


17.D1961575  
[A]  
(-EU,-NA,-AA,-KOR,  
-TWN):OPERATION  
SUB-UNIT:ASS'Y  
201807-01 O/O

See 2D parts catalog  
for the components of  
the Smart Operation  
Panel.

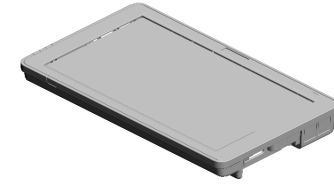
#### 14.Note

See 2D parts catalog  
for the components of  
the Smart Operation  
Panel.



D1961555  
[A]  
(-EU,-NA,-AA,-KOR,  
-TWN):OPERATION  
SUB-UNIT:ASS'Y  
201807-01 O/O

U002\_S003  
(-EU,-NA,-AA,-KOR,-TWN):OPERATION SUB-UNIT:ASS'Y



17.D1961575  
[A]  
(-EU,-NA,-AA,-KOR,  
-TWN):OPERATION  
SUB-UNIT:ASS'Y  
201807-01 O/O

See 2D parts catalog  
for the components of  
the Smart Operation  
Panel.

14.Note

See 2D parts catalog  
for the components of  
the Smart Operation  
Panel.



D1961555  
[A]  
(-EU,-NA,-AA,-KOR,  
-TWN):OPERATION  
SUB-UNIT:ASS'Y  
201807-01 O/O

U001	U002	U003	U004	U005	U006	U007	U008	U009	U010	U011	U012	U013	U014	U015	U016	U017	U018	U019
------	------	------	------	------	------	------	------	------	------	------	------	------	------	------	------	------	------	------

U002\_S004  
(-EU,-NA,-AA,-KOR,-TWN):OPERATION SUB-UNIT:ASS'Y

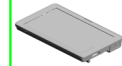


17.D1961575  
[A]  
(-EU,-NA,-AA,-KOR,  
-TWN):OPERATION  
SUB-UNIT:ASS'Y  
201807-01 O/O

See 2D parts catalog  
for the components of  
the Smart Operation  
Panel.

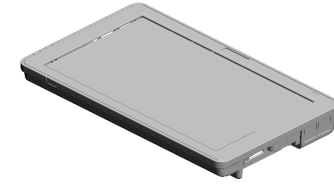
#### 14.Note

See 2D parts catalog  
for the components of  
the Smart Operation  
Panel.



D1961555  
[A]  
(-EU,-NA,-AA,-KOR,  
-TWN):OPERATION  
SUB-UNIT:ASS'Y  
201807-01 O/O

U002\_S005  
(-CHN):OPERATION PANEL:ASS'Y



16.D1961560  
(-CHN):OPERATIO  
N PANEL:ASSY

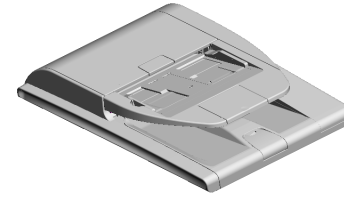
See 2D parts catalog  
for the components of  
the Smart Operation  
Panel.

**14.Note**

See 2D parts catalog  
for the components of the Smart Operation Panel.

U001	U002	U003	U004	U005	U006	U007	U008	U009	U010	U011	U012	U013	U014	U015	U016	U017	U018	U019
------	------	------	------	------	------	------	------	------	------	------	------	------	------	------	------	------	------	------

U003  
ADF



See 3D parts catalog  
for the components of  
the DF1040 ARDF.

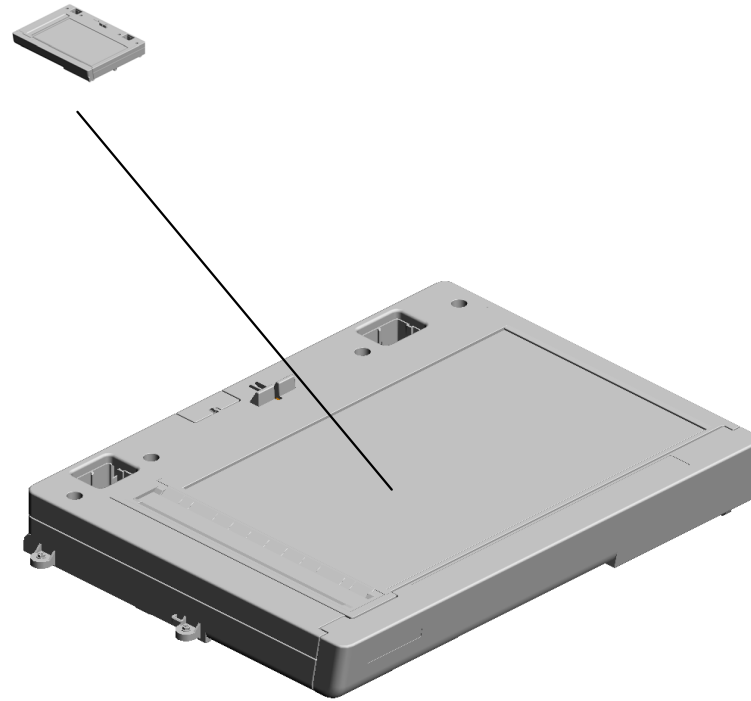
**1.NOTE2**

See 3D parts catalog  
for the components of the DF1040 ARDF.

U001	U002	U003	U004	U005	U006	U007	U008	U009	U010	U011	U012	U013	U014	U015	U016	U017	U018	U019
------	------	------	------	------	------	------	------	------	------	------	------	------	------	------	------	------	------	------

# U004.SCANNER

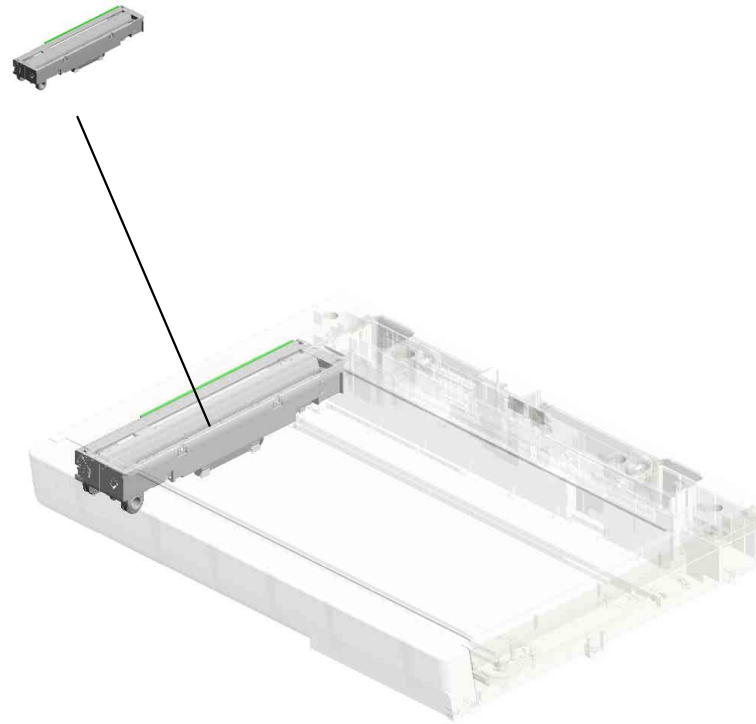
U004 S001  
D1960072  
OPTICAL READING SECTION



U001	U002	U003	U004	U005	U006	U007	U008	U009	U010	U011	U012	U013	U014	U015	U016	U017	U018	U019
------	------	------	------	------	------	------	------	------	------	------	------	------	------	------	------	------	------	------

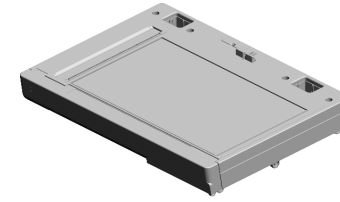
# U004\_S001.OPTICAL READING SECTION

U004 S001 S001  
D1961651  
CARRIAGE:SCANNER:ASSY



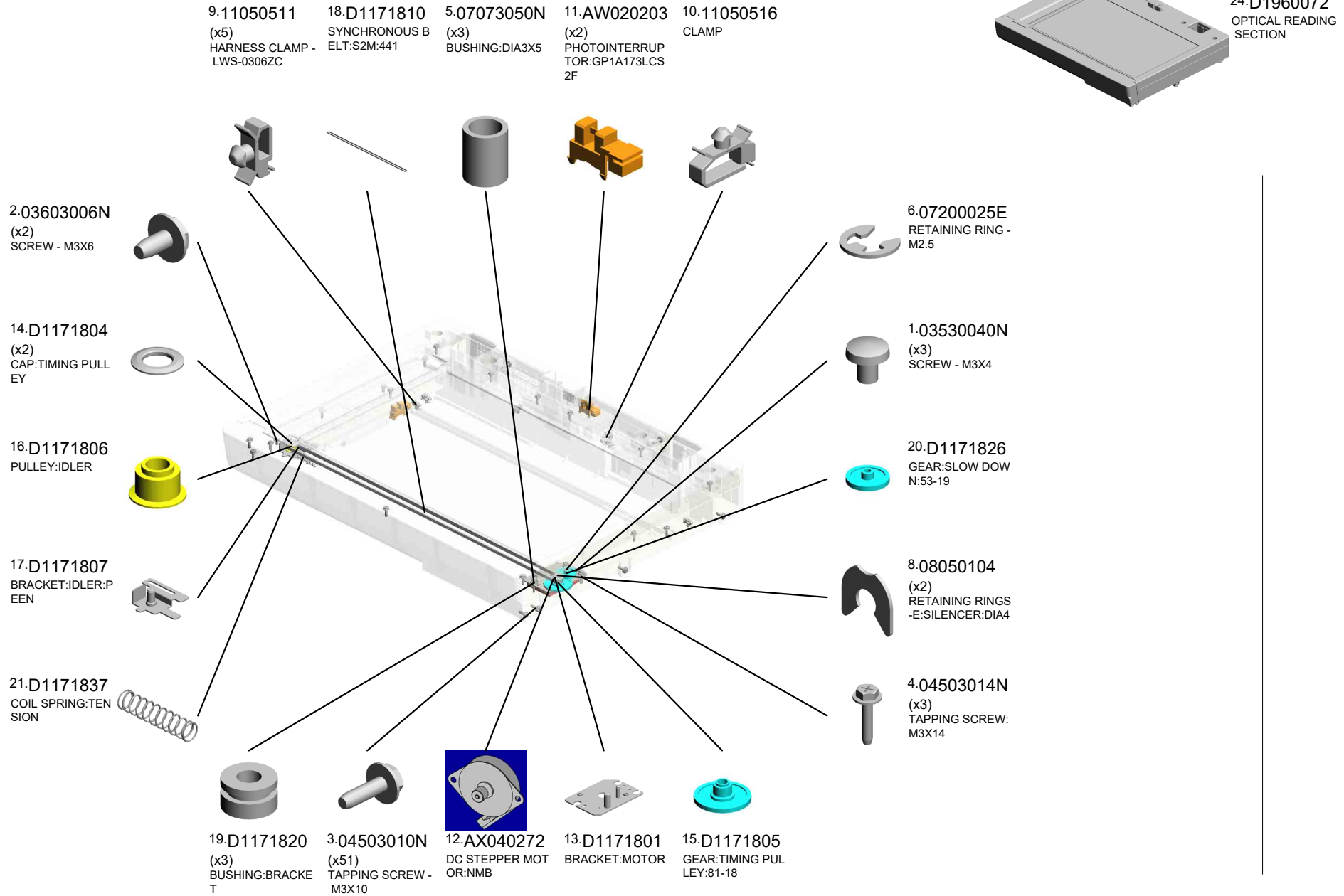
U001	U002	U003	<b>U004</b>	U005	U006	U007	U008	U009	U010	U011	U012	U013	U014	U015	U016	U017	U018	U019
------	------	------	-------------	------	------	------	------	------	------	------	------	------	------	------	------	------	------	------

U004  
SCANNER



U001	U002	U003	U004	U005	U006	U007	U008	U009	U010	U011	U012	U013	U014	U015	U016	U017	U018	U019
------	------	------	------	------	------	------	------	------	------	------	------	------	------	------	------	------	------	------

# U004\_S001 OPTICAL READING SECTION



U001	U002	U003	U004	U005	U006	U007	U008	U009	U010	U011	U012	U013	U014	U015	U016	U017	U018	U019
------	------	------	------	------	------	------	------	------	------	------	------	------	------	------	------	------	------	------

U004\_S001  
OPTICAL READING SECTION

28.D1961747  
(x4)  
(-EU,-AA,-KOR,-CH  
N,-TWN):DECAL:S  
CALE:LEFT

29.D1961748  
(-NA):DECAL:SCAL  
E:LEFT



22.D1171840  
COVER:SCANNER:  
FRONT:ASS'Y



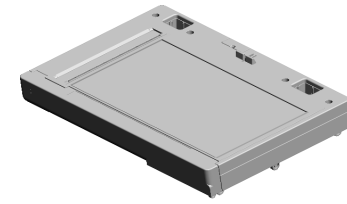
23.D1171845  
COVER:SCANNER:  
REAR



26.D1961657  
(-NA):ORIGINAL TR  
AY:SCANNER:ASS'  
Y



27.D1961658  
(x4)  
(-EU,-AA,-KOR,-CH  
N,-TWN):ORIGINAL  
TRAY:SCANNER:A  
SS'Y

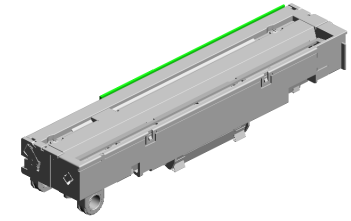


24.D1960072  
OPTICAL READING  
SECTION

U001	U002	U003	U004	U005	U006	U007	U008	U009	U010	U011	U012	U013	U014	U015	U016	U017	U018	U019
------	------	------	------	------	------	------	------	------	------	------	------	------	------	------	------	------	------	------

U004\_S001\_S001  
CARRIAGE:SCANNER:ASS'Y

7.08046123  
(x8)  
HEXAGONAL BOLT  
:W/WASHER:M3X8



25.D1961651  
CARRIAGE:SCANN  
ER:ASS'Y



U001	U002	U003	U004	U005	U006	U007	U008	U009	U010	U011	U012	U013	U014	U015	U016	U017	U018	U019
------	------	------	------	------	------	------	------	------	------	------	------	------	------	------	------	------	------	------

# U005.LASER UNIT

U005 S001  
D1961860  
(D196/D214/D236):OPTICAL  
WRITING UNIT:ASS'Y

U005 S003  
D2191860  
(D219/D220):OPTICAL WRITI  
NG UNIT:ASS'Y

U005 S005  
D2191860  
(D219/D220):OPTICAL WRITI  
NG UNIT:ASS'Y

U005 S002  
D1961860  
(D196/D214/D236):OPTICAL  
WRITING UNIT:ASS'Y

U005 S007  
D2191860  
(D219/D220):OPTICAL WRITI  
NG UNIT:ASS'Y

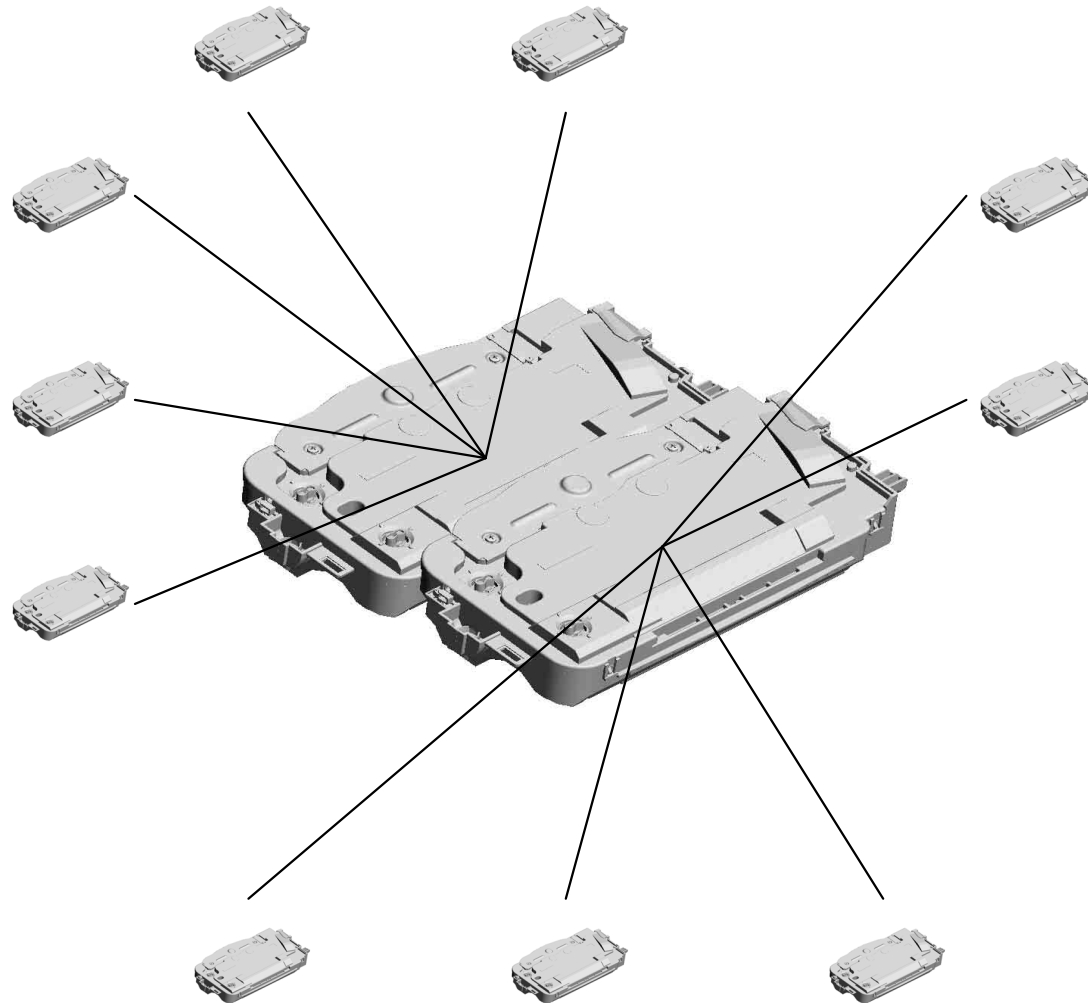
U005 S004  
D2191860  
(D219/D220):OPTICAL WRITI  
NG UNIT:ASS'Y

U005 S009  
D2191860  
(D219/D220):OPTICAL WRITI  
NG UNIT:ASS'Y

U005 S006  
D2191860  
(D219/D220):OPTICAL WRITI  
NG UNIT:ASS'Y

U005 S008  
D2191860  
(D219/D220):OPTICAL WRITI  
NG UNIT:ASS'Y

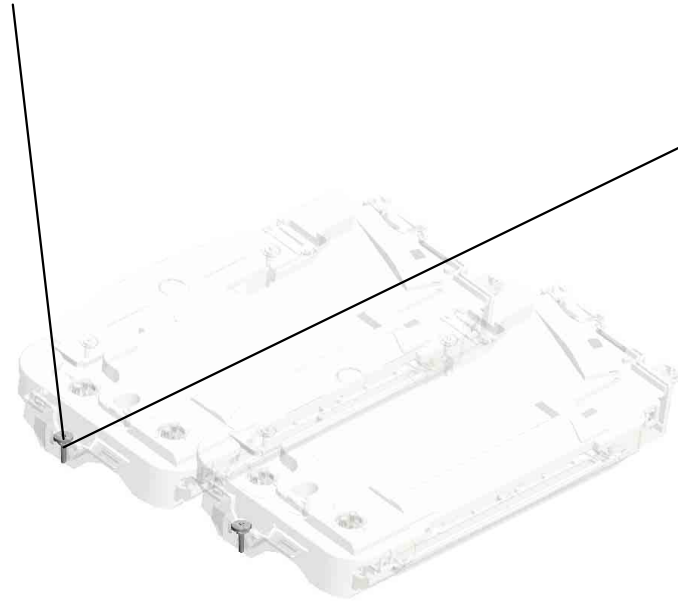
U005 S010  
D2191860  
(D219/D220):OPTICAL WRITI  
NG UNIT:ASS'Y



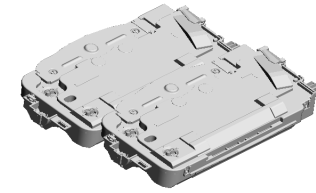
U001	U002	U003	U004	U005	U006	U007	U008	U009	U010	U011	U012	U013	U014	U015	U016	U017	U018	U019
------	------	------	------	------	------	------	------	------	------	------	------	------	------	------	------	------	------	------

U005  
LASER UNIT

4:D1171991  
(x10)  
SPRING LOCK WA  
SHER:DIA6.4XDIA1  
1X1.5



3:D1171990  
(x10)  
STEPPED SCREW



U001	U002	U003	U004	<b>U005</b>	U006	U007	U008	U009	U010	U011	U012	U013	U014	U015	U016	U017	U018	U019
------	------	------	------	-------------	------	------	------	------	------	------	------	------	------	------	------	------	------	------

U005\_S001  
(D196/D214/D236):OPTICAL WRITING UNIT:ASS'Y

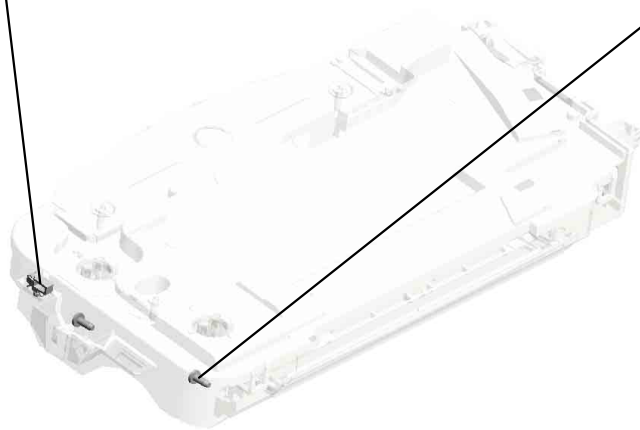
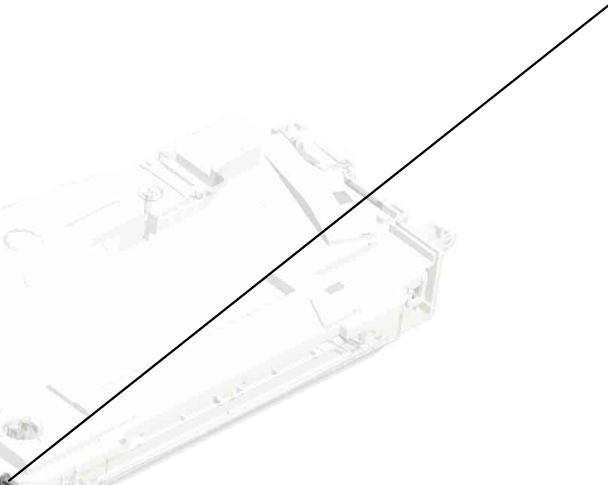
2.11050511  
HARNESS CLAMP -  
LWS-03062C



5.D1961860  
(D196/D214/D236):  
OPTICAL WRITING  
UNIT:ASS'Y



1.03530060N  
(x2)  
BIND SCREW - M3  
X6



U001	U002	U003	U004	<b>U005</b>	U006	U007	U008	U009	U010	U011	U012	U013	U014	U015	U016	U017	U018	U019
------	------	------	------	-------------	------	------	------	------	------	------	------	------	------	------	------	------	------	------

U005\_S002  
(D196/D214/D236):OPTICAL WRITING UNIT:ASS'Y

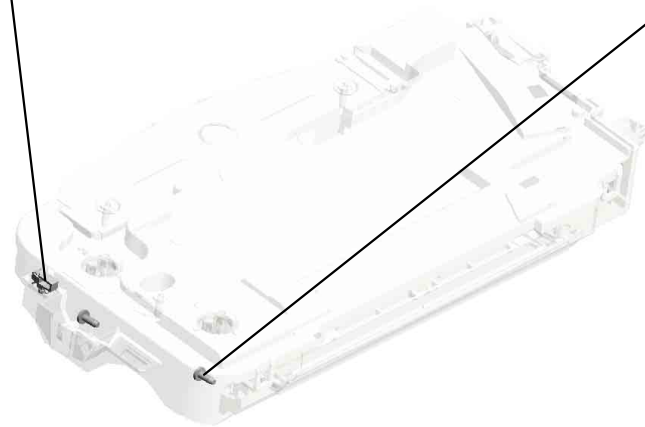
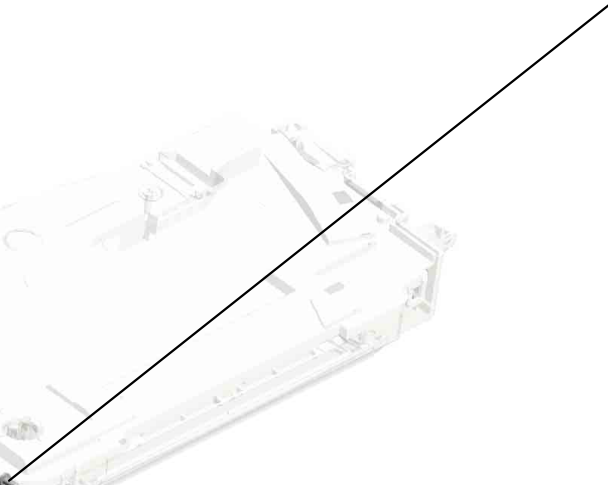
2.11050511  
HARNESS CLAMP -  
LWS-03062C



5.D1961860  
(D196/D214/D236):  
OPTICAL WRITING  
UNIT:ASS'Y



1.03530060N  
(x2)  
BIND SCREW - M3  
X6



U001	U002	U003	U004	<b>U005</b>	U006	U007	U008	U009	U010	U011	U012	U013	U014	U015	U016	U017	U018	U019
------	------	------	------	-------------	------	------	------	------	------	------	------	------	------	------	------	------	------	------

U005\_S003  
(D219/D220):OPTICAL WRITING UNIT:ASS'Y

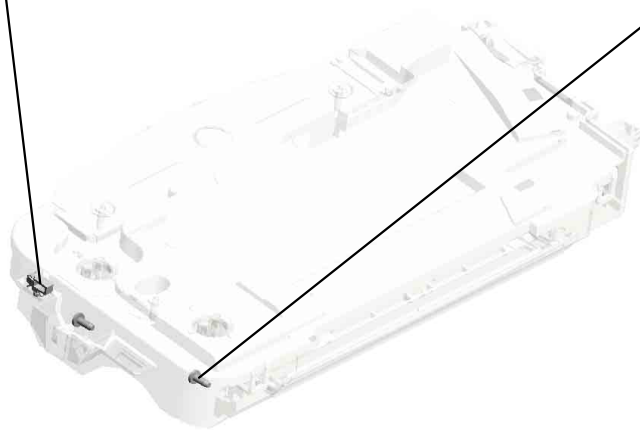
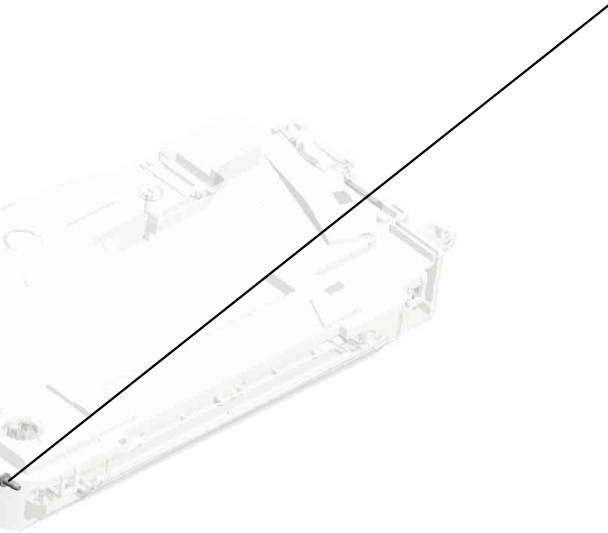
2.11050511  
HARNESS CLAMP -  
LWS-03062C



6.D2191860  
(D219/D220):OPTIC  
AL WRITING UNIT:  
ASS'Y



1.03530060N  
(x2)  
BIND SCREW - M3  
X6



U001	U002	U003	U004	U005	U006	U007	U008	U009	U010	U011	U012	U013	U014	U015	U016	U017	U018	U019
------	------	------	------	------	------	------	------	------	------	------	------	------	------	------	------	------	------	------

U005\_S004  
(D219/D220):OPTICAL WRITING UNIT:ASS'Y

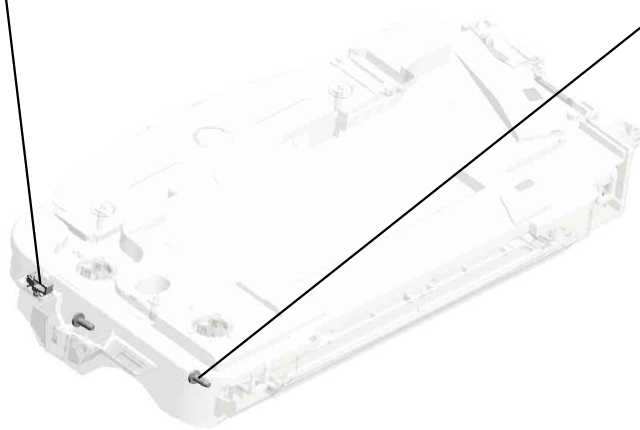
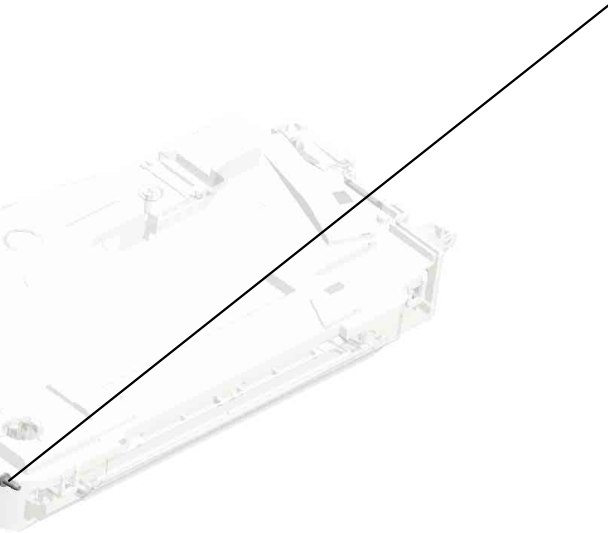
2.11050511  
HARNESS CLAMP -  
LWS-03062C



6.D2191860  
(D219/D220):OPTIC  
AL WRITING UNIT:  
ASS'Y



1.03530060N  
(x2)  
BIND SCREW - M3  
X6



U001	U002	U003	U004	U005	U006	U007	U008	U009	U010	U011	U012	U013	U014	U015	U016	U017	U018	U019
------	------	------	------	------	------	------	------	------	------	------	------	------	------	------	------	------	------	------

U005\_S005  
(D219/D220):OPTICAL WRITING UNIT:ASS'Y

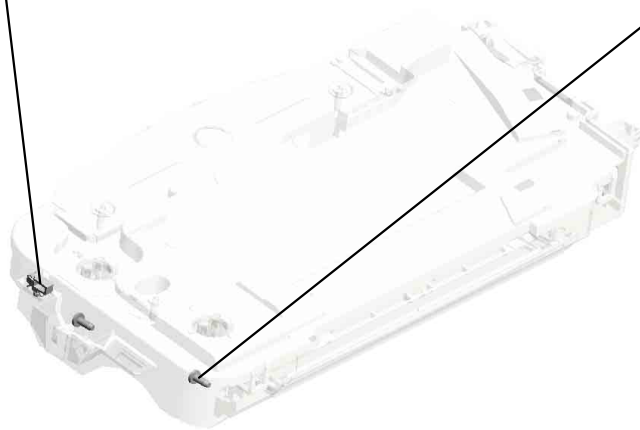
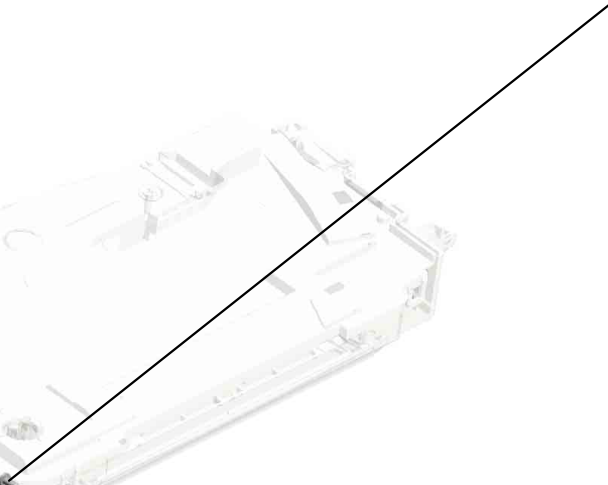
2.11050511  
HARNESS CLAMP -  
LWS-03062C



6.D2191860  
(D219/D220):OPTIC  
AL WRITING UNIT:  
ASS'Y



1.03530060N  
(x2)  
BIND SCREW - M3  
X6



U001	U002	U003	U004	U005	U006	U007	U008	U009	U010	U011	U012	U013	U014	U015	U016	U017	U018	U019
------	------	------	------	------	------	------	------	------	------	------	------	------	------	------	------	------	------	------

U005\_S006  
(D219/D220):OPTICAL WRITING UNIT:ASS'Y

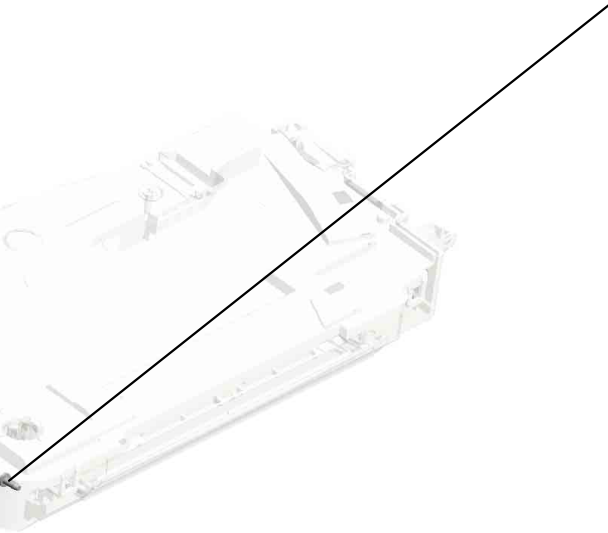
2.11050511  
HARNESS CLAMP -  
LWS-03062C



6.D2191860  
(D219/D220):OPTIC  
AL WRITING UNIT:  
ASS'Y



1.03530060N  
(x2)  
BIND SCREW - M3  
X6



U001	U002	U003	U004	<b>U005</b>	U006	U007	U008	U009	U010	U011	U012	U013	U014	U015	U016	U017	U018	U019
------	------	------	------	-------------	------	------	------	------	------	------	------	------	------	------	------	------	------	------

U005\_S007  
(D219/D220):OPTICAL WRITING UNIT:ASS'Y

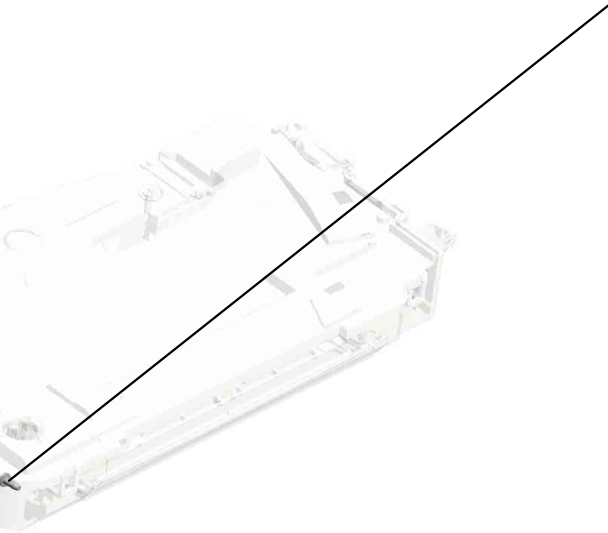
2.11050511  
HARNESS CLAMP -  
LWS-03062C



6.D2191860  
(D219/D220):OPTIC  
AL WRITING UNIT:  
ASS'Y



1.03530060N  
(x2)  
BIND SCREW - M3  
X6



U001	U002	U003	U004	U005	U006	U007	U008	U009	U010	U011	U012	U013	U014	U015	U016	U017	U018	U019
------	------	------	------	------	------	------	------	------	------	------	------	------	------	------	------	------	------	------

U005\_S008  
(D219/D220):OPTICAL WRITING UNIT:ASS'Y

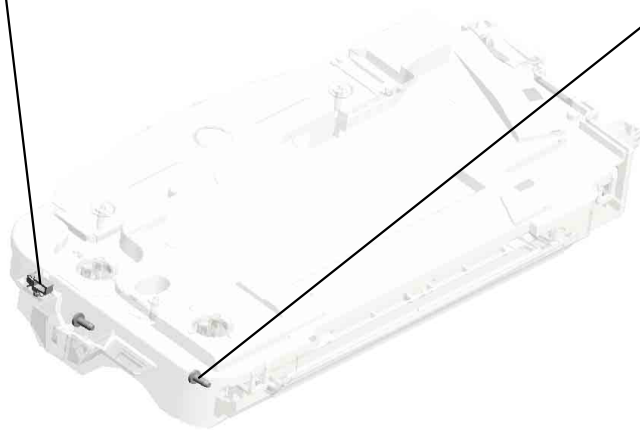
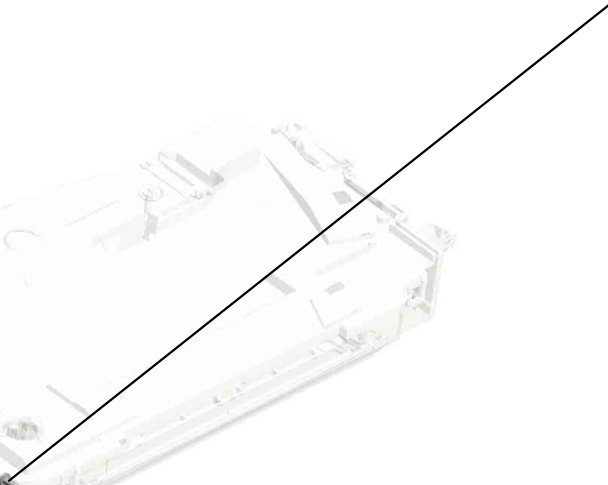
2.11050511  
HARNESS CLAMP -  
LWS-03062C



6.D2191860  
(D219/D220):OPTIC  
AL WRITING UNIT:  
ASS'Y



1.03530060N  
(x2)  
BIND SCREW - M3  
X6



U001	U002	U003	U004	U005	U006	U007	U008	U009	U010	U011	U012	U013	U014	U015	U016	U017	U018	U019
------	------	------	------	------	------	------	------	------	------	------	------	------	------	------	------	------	------	------

U005\_S009  
(D219/D220):OPTICAL WRITING UNIT:ASS'Y

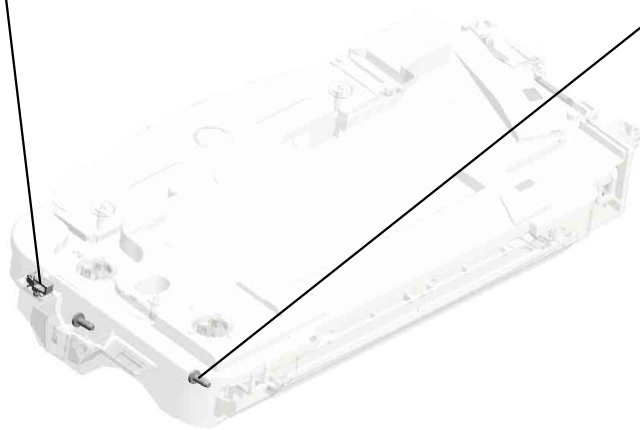
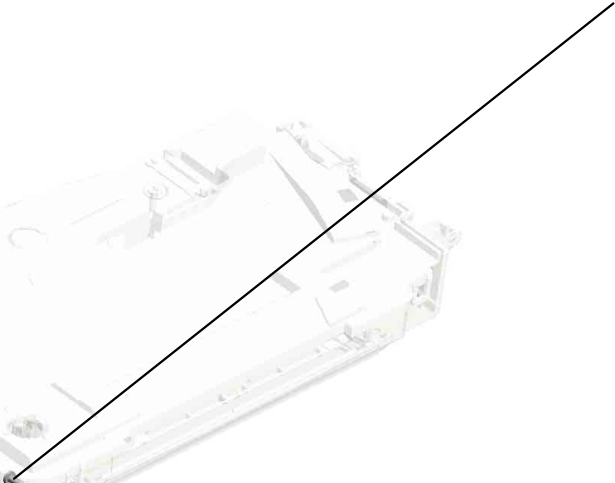
2.11050511  
HARNESS CLAMP -  
LWS-03062C



6.D2191860  
(D219/D220):OPTIC  
AL WRITING UNIT:  
ASS'Y



1.03530060N  
(x2)  
BIND SCREW - M3  
X6



U001	U002	U003	U004	U005	U006	U007	U008	U009	U010	U011	U012	U013	U014	U015	U016	U017	U018	U019
------	------	------	------	------	------	------	------	------	------	------	------	------	------	------	------	------	------	------

U005\_S010  
(D219/D220):OPTICAL WRITING UNIT:ASS'Y

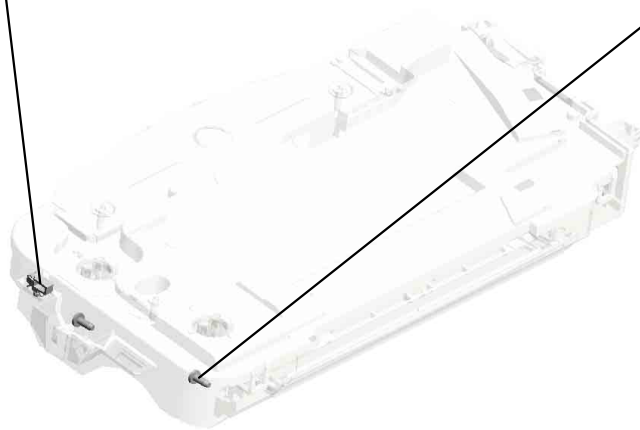
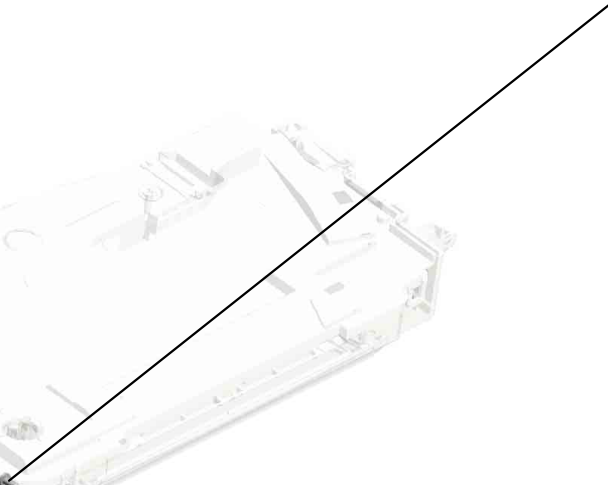
2.11050511  
HARNESS CLAMP -  
LWS-03062C



6.D2191860  
(D219/D220):OPTIC  
AL WRITING UNIT:  
ASS'Y



1.03530060N  
(x2)  
BIND SCREW - M3  
X6



U001	U002	U003	U004	<b>U005</b>	U006	U007	U008	U009	U010	U011	U012	U013	U014	U015	U016	U017	U018	U019
------	------	------	------	-------------	------	------	------	------	------	------	------	------	------	------	------	------	------	------

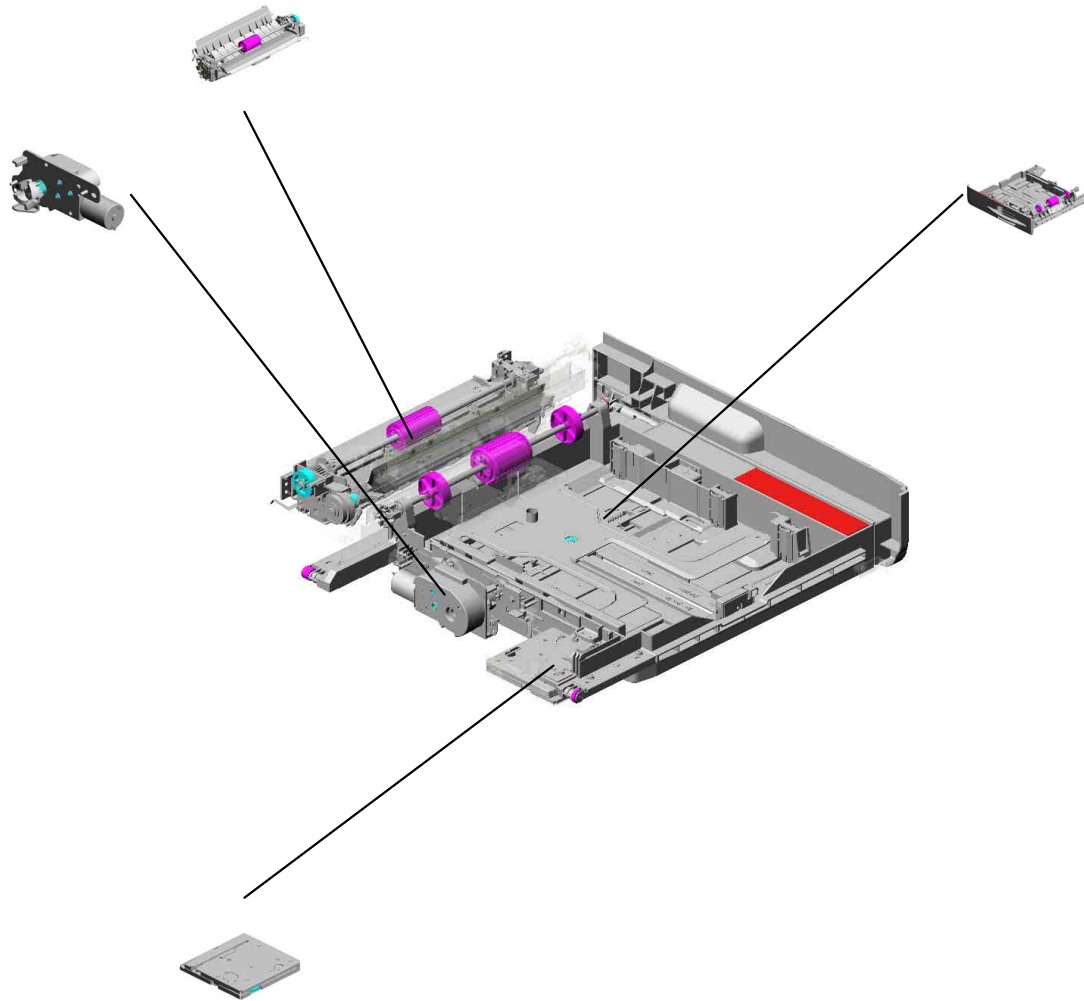
# U006.PAPER FEED

U006 S004  
D1962701  
MANUAL FEED UNIT:ASS'Y

U006 S001  
D1172533  
BASE:RISE:ASS'Y

U006 S003  
D2962800  
PAPER TRAY:ASS'Y

U006 S002  
D1172899  
LEVER:STRETCH:TRAY:UNI:  
ASS'Y



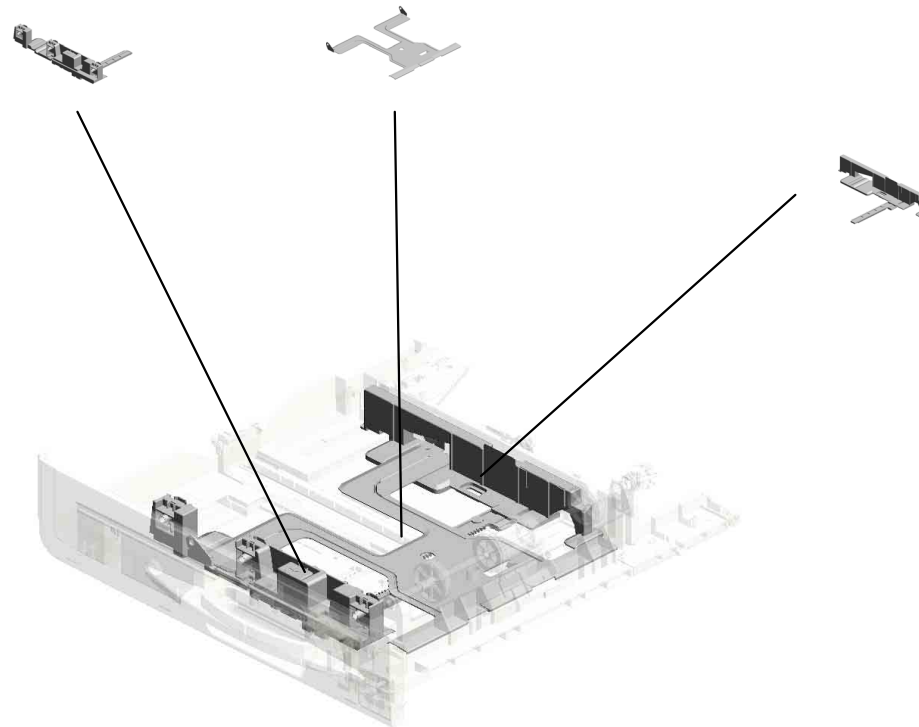
U001	U002	U003	U004	U005	<b>U006</b>	U007	U008	U009	U010	U011	U012	U013	U014	U015	U016	U017	U018	U019
------	------	------	------	------	-------------	------	------	------	------	------	------	------	------	------	------	------	------	------

# U006\_S003.PAPER TRAY:ASS'Y

U006 S003 S001  
D1172825  
SIDE FENCE:FRONT:ASS'Y

U006 S003 S003  
D1962845  
BASE:TRAY:ASS'Y

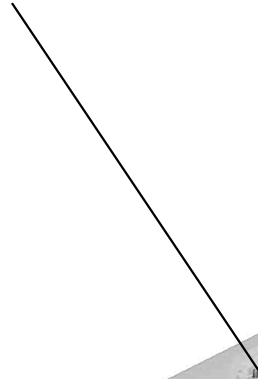
U006 S003 S002  
D2962836  
SIDE FENCE:REAR:ASS'Y



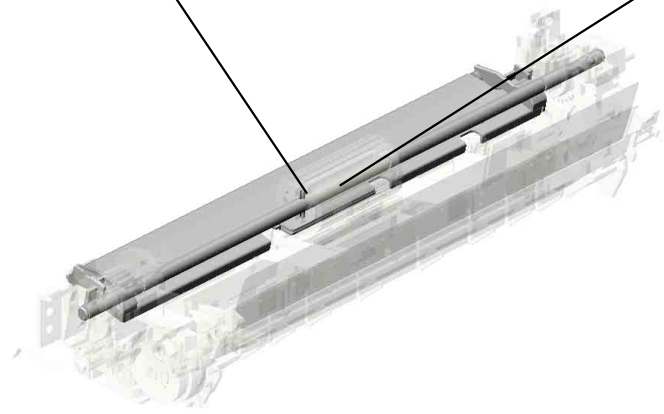
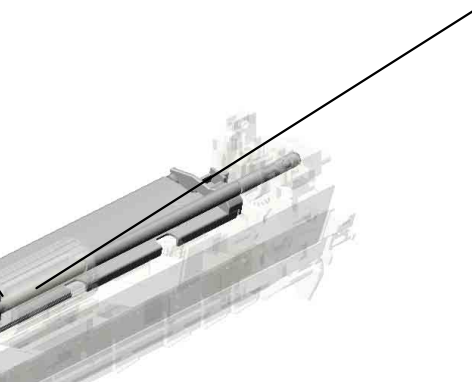
U001	U002	U003	U004	U005	<b>U006</b>	U007	U008	U009	U010	U011	U012	U013	U014	U015	U016	U017	U018	U019
------	------	------	------	------	-------------	------	------	------	------	------	------	------	------	------	------	------	------	------

# U006\_S004.MANUAL FEED UNIT:ASS'Y

U006 S004 S002  
D1962720  
TRAY BOTTOM PLATE:MANU  
AL FEED:ASS'Y



U006\_S004\_S001  
D1172717  
SHAFT:PAPER FEED:MANUA  
L FEED



U001	U002	U003	U004	U005	<b>U006</b>	U007	U008	U009	U010	U011	U012	U013	U014	U015	U016	U017	U018	U019
------	------	------	------	------	-------------	------	------	------	------	------	------	------	------	------	------	------	------	------

# U006 PAPER FEED

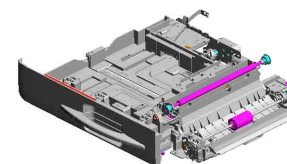
44.D1172613  
GUIDE:VERTICAL  
TRANSPORT

43.D1172612  
GUIDE PLATE:VER  
TICAL TRANSPOR  
T:UPPER

30.AF021088  
REGISTRATION R  
OLLER:DRIVEN

32.AW010107  
(x2)  
PAPER FEED SEN  
SOR

22.AB011537  
GEAR:REGISTRATI  
ON ROLLER:FRON  
T



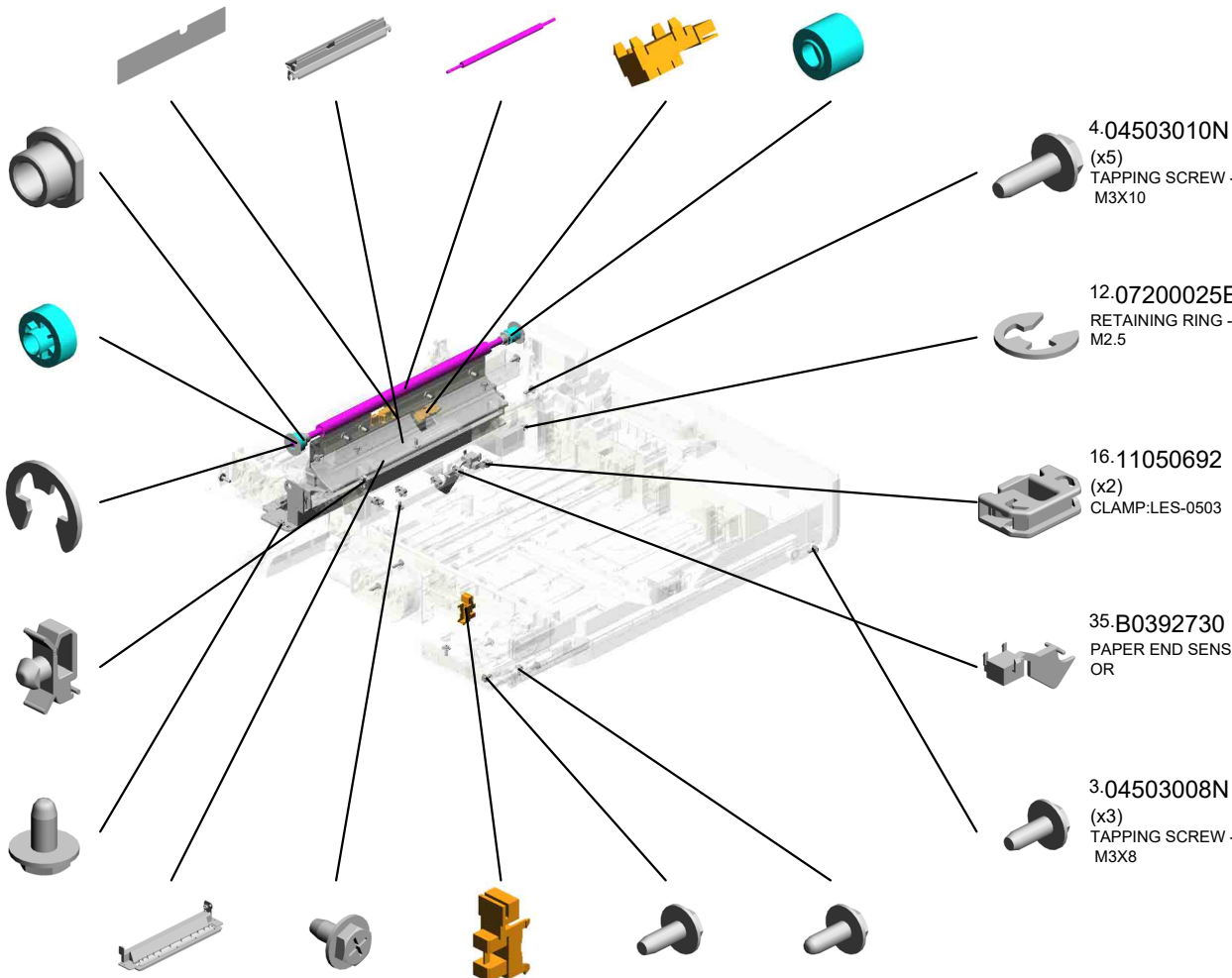
21.AA082161  
(x2)  
PLAIN SHAFT BEA  
RING:REGISTRATI  
ON ROLLER

23.AB011538  
GEAR:REGISTRATI  
ON ROLLER:INNER  
BACK

13.07200040E  
(x2)  
RETAINING RING -  
M4

15.11050511  
(x4)  
HARNES CLAMP -  
LWS-0306ZC

9.04543006Q  
(x8)  
TAPPING SCREW -  
M3X6



4.04503010N  
(x5)  
TAPPING SCREW -  
M3X10

12.07200025E  
RETAINING RING -  
M2.5

16.11050692  
(x2)  
CLAMP:LES-0503

35.B0392730  
PAPER END SENS  
OR

3.04503008N  
(x3)  
TAPPING SCREW -  
M3X8

42.D1172611  
GUIDE PLATE:VER  
TICAL TRANSPOR  
T:LOWER

6.04513006N  
(x2)  
TAPPING SCREW -  
3X6

33.AW020224  
PHOTOINTERRUP  
TOR:GP1A173LCS  
VF  
201607-01 O/O

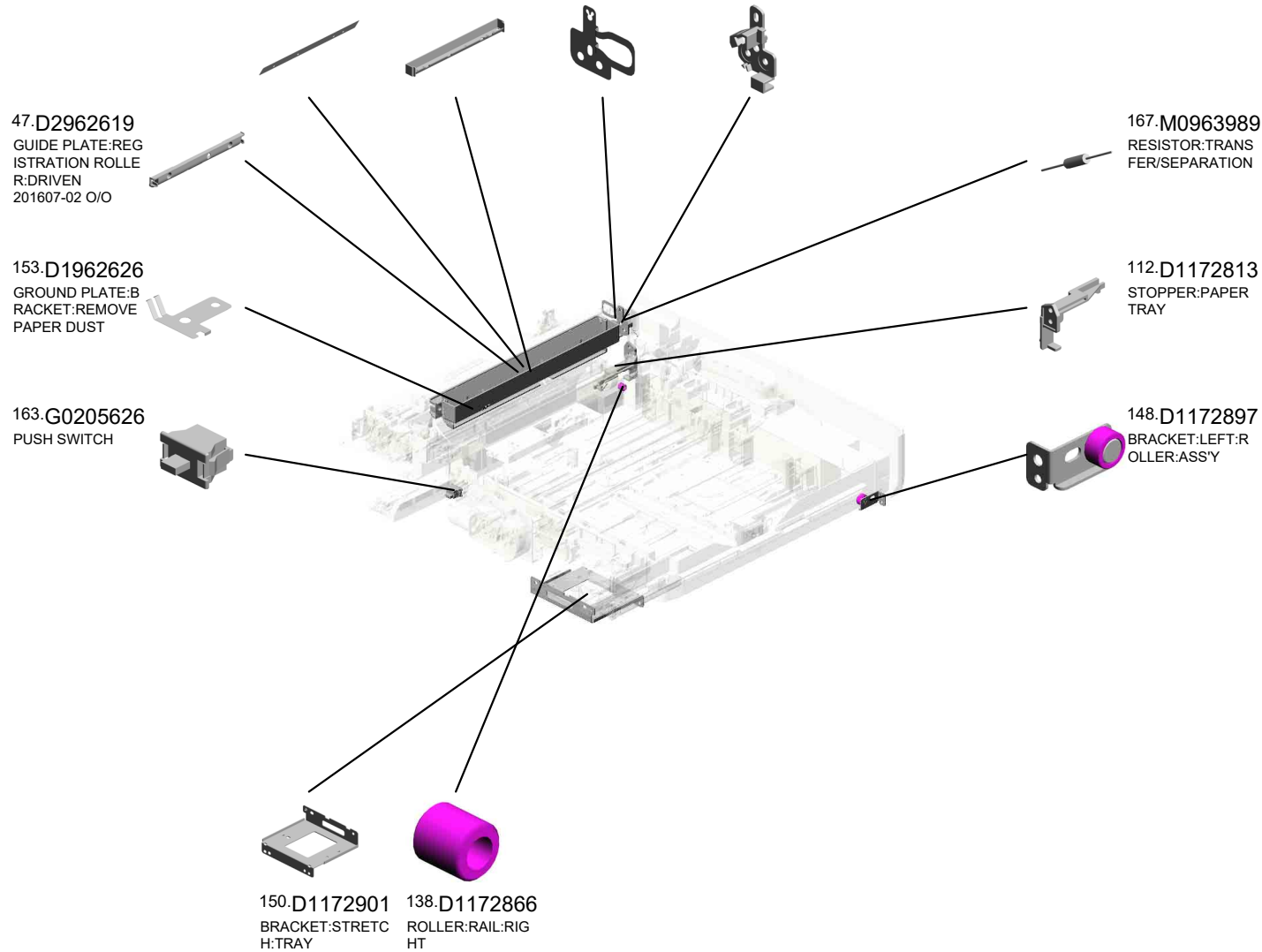
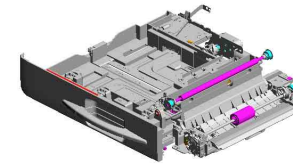
7.04513008N  
TAPPING SCREW -  
M3X8

10.04543008Q  
(x4)  
TAPPING SCREW:  
3X8

U001	U002	U003	U004	U005	U006	U007	U008	U009	U010	U011	U012	U013	U014	U015	U016	U017	U018	U019
------	------	------	------	------	------	------	------	------	------	------	------	------	------	------	------	------	------	------

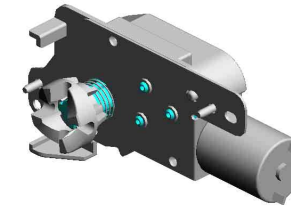
# U006 PAPER FEED

46.D1172618 GUIDE:REMOVE PAPER DUST  
 45.D1172617 CASE:REMOVE PAPER DUST  
 151.D1962623 GROUND PLATE:REGISTRATION ROLLER  
 152.D1962624 HOLDER:RESISTOR:REGISTRATION ROLLER



U001	U002	U003	U004	U005	<b>U006</b>	U007	U008	U009	U010	U011	U012	U013	U014	U015	U016	U017	U018	U019
------	------	------	------	------	-------------	------	------	------	------	------	------	------	------	------	------	------	------	------

U006\_S001  
BASE:RISE:ASS'Y



41.D1172533  
BASE:RISE:ASS'Y

- 8.04523008N (x2) TAPPING SCREW - M3X8
- 27.AB017835 GEAR:RISING TRA Y:3
- 26.AB017834 GEAR:RISING TRA Y:2

58.D1172660  
DC MOTOR:2.6W:B RUSH

1.03530030N (x2) SCREW:M3X3

19.AA080361  
PLAIN SHAFT BEARING:CASE:RISING TRAY

56.D1172655  
BASE:LIFT MOTOR :PAPER FEED:FRONT

144.D1172888  
JOINT:BASE:RISE

18.AA063701  
COMPRESSION SPRING:RISING TRAY

- 28.AB017899 GEAR:RISING TRA Y:1
- 57.D1172656 CASE:RISING TRAY
- 25.AB011541 GEAR:RISING TRA Y:OUTPUT

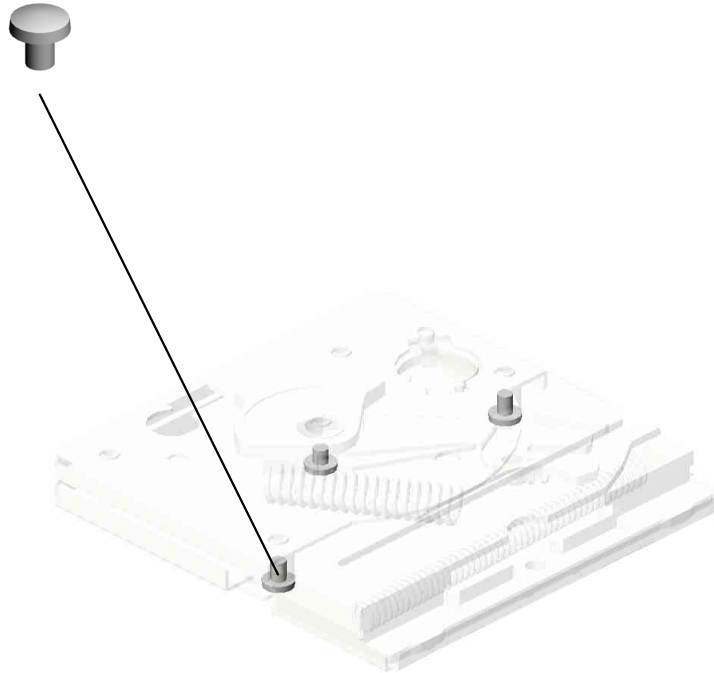
U001	U002	U003	U004	U005	U006	U007	U008	U009	U010	U011	U012	U013	U014	U015	U016	U017	U018	U019
------	------	------	------	------	------	------	------	------	------	------	------	------	------	------	------	------	------	------

U006\_S002  
LEVER:STRETCH:TRAY:UNI:ASS'Y

2.03530040N  
(x3)  
SCREW - M3X4



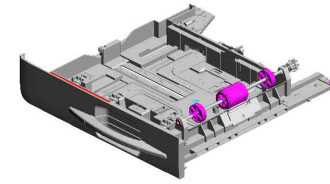
149.D1172899  
LEVER:STRETCH:T  
RAY:UNI:ASS'Y



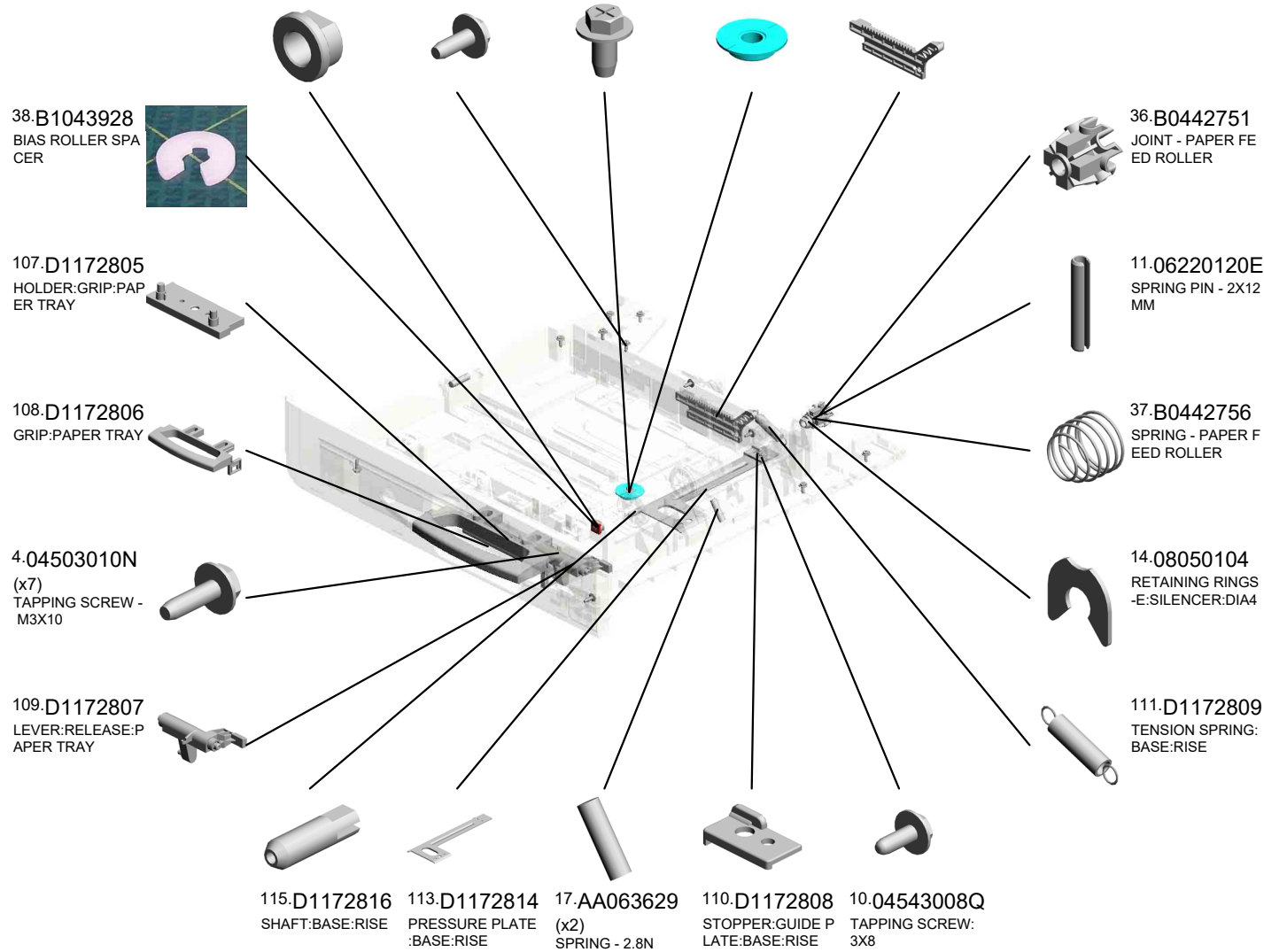
U001	U002	U003	U004	U005	<b>U006</b>	U007	U008	U009	U010	U011	U012	U013	U014	U015	U016	U017	U018	U019
------	------	------	------	------	-------------	------	------	------	------	------	------	------	------	------	------	------	------	------

U006\_S003  
PAPER TRAY:ASS'Y

- 20.AA082101 (x2) BUSHING - 6X10X6
- 3.04503008N (x7) TAPPING SCREW - M3X8
- 5.04504008N TAPPING SCREW - M4X8
- 39.B2232936 GEAR - 16Z
- 116.D1172819 RACK:BASE:RISE



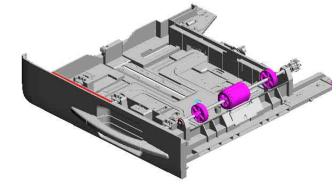
159.D2962800  
[A]  
PAPER TRAY:ASS'Y  
201612-03 O/O



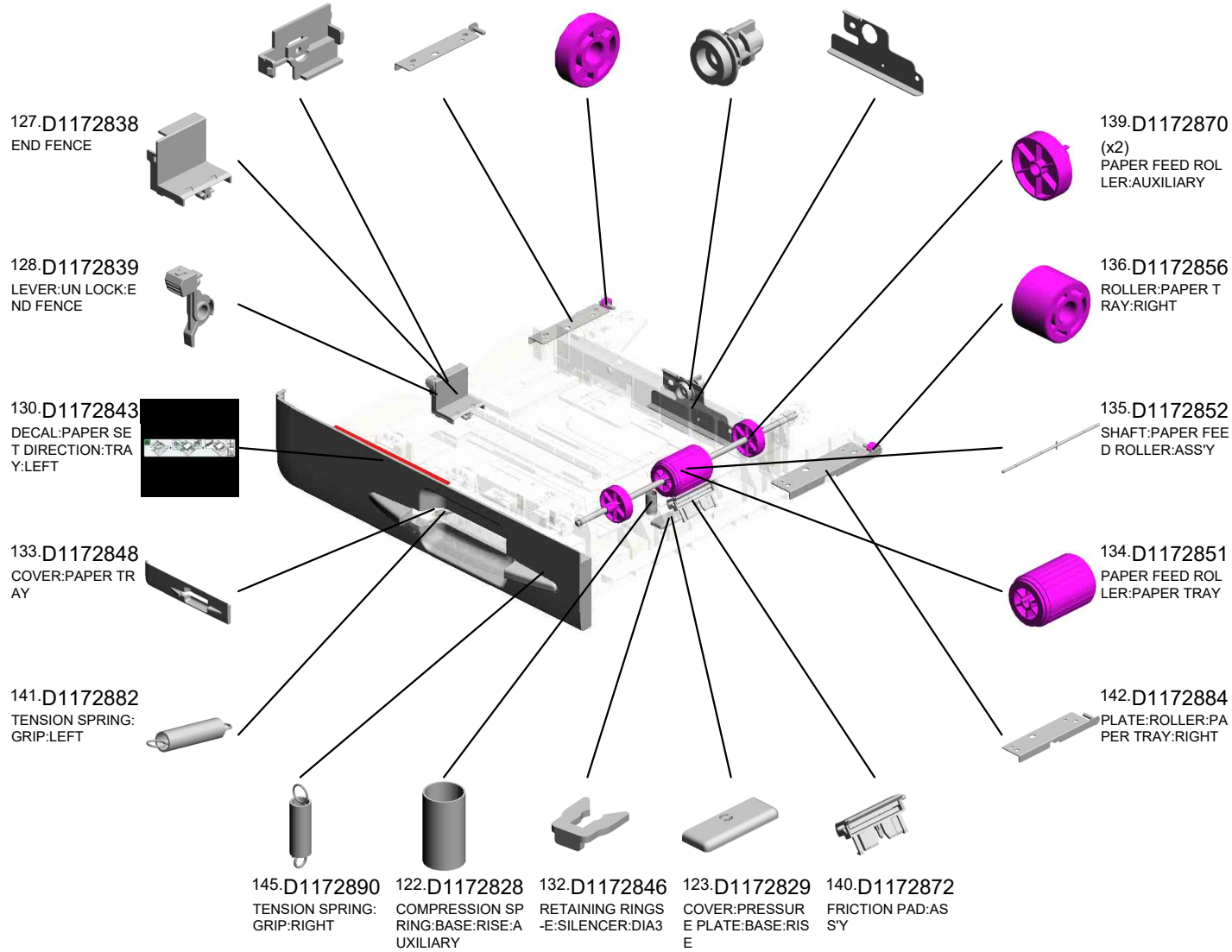
U001	U002	U003	U004	U005	U006	U007	U008	U009	U010	U011	U012	U013	U014	U015	U016	U017	U018	U019
------	------	------	------	------	------	------	------	------	------	------	------	------	------	------	------	------	------	------

U006\_S003  
PAPER TRAY:ASS'Y

- 129.D1172840 COVER:END FENCE
- 143.D1172886 PLATE:ROLLER:PA  
PER TRAY:LEFT
- 137.D1172858 ROLLER:PAPER T  
RAY:LEFT
- 117.D1172820 PINION:BASE:RISE
- 118.D1172822 BRACKET:PINION:  
BASE:RISE



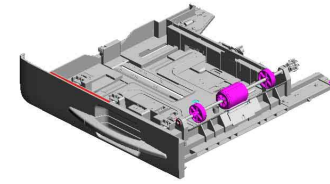
159.D2962800  
[A]  
PAPER TRAY:ASS'  
Y  
201612-03 O/O



U001	U002	U003	U004	U005	U006	U007	U008	U009	U010	U011	U012	U013	U014	U015	U016	U017	U018	U019
------	------	------	------	------	------	------	------	------	------	------	------	------	------	------	------	------	------	------

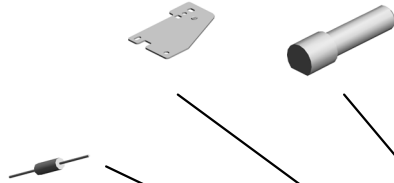
U006\_S003  
PAPER TRAY:ASS'Y

162.D1962849 146.D1172894  
BRACKET:PIN:STR SHAFT:PINION:BA  
ETCH:TRAY:PEEN SE:RISE



159.D2962800  
[A]  
PAPER TRAY:ASS'  
Y  
201612-03 O/O

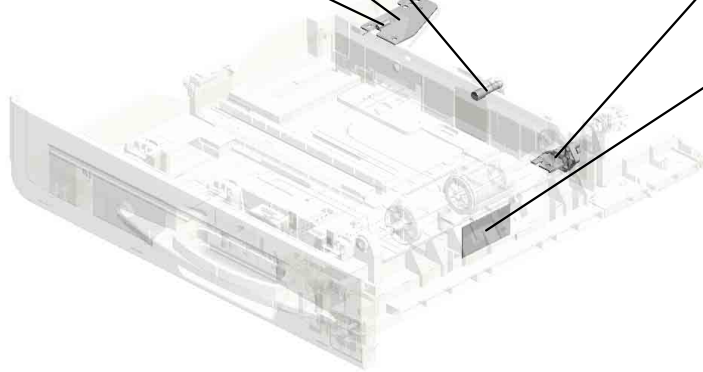
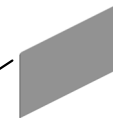
167.M0963989  
RESISTOR:TRANS  
FER/SEPARATION



160.D1962817  
LEVER:BASE:RISE



147.D1172896  
SHEET:PLATE:FRI  
CTION PAD

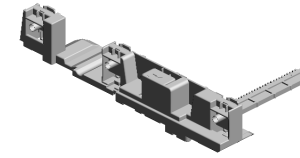


D1962800  
[A]  
PAPER TRAY:ASS'  
Y  
201612-03 O/O

U001	U002	U003	U004	U005	U006	U007	U008	U009	U010	U011	U012	U013	U014	U015	U016	U017	U018	U019
------	------	------	------	------	------	------	------	------	------	------	------	------	------	------	------	------	------	------

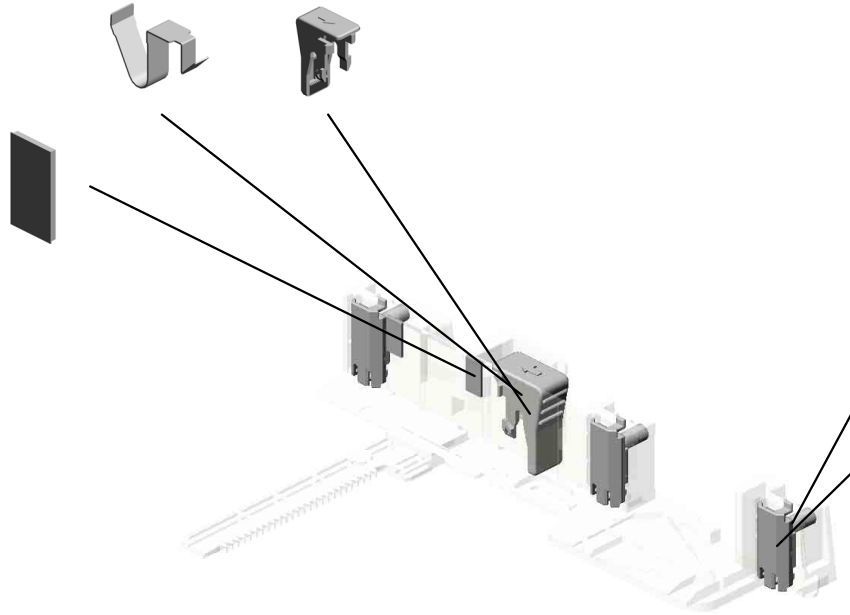
U006\_S003\_S001  
SIDE FENCE:FRONT:ASS'Y

114.D1172815 124.D1172830  
SPRING PLATE:SI LEVER:STOPPER:  
DE FENCE:FRONT FRONT



120.D1172825  
SIDE FENCE:FRON  
T:ASS'Y

119.D1172823  
(x2)  
PAD:SIDE FENCE



121.D1172826  
(x3)  
COMPRESSION SP  
RING:SIDE FENCE:  
PLATE



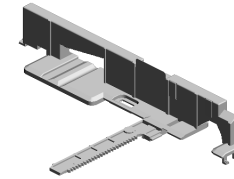
125.D1172834  
(x3)  
PLATE:SIDE FENC  
E



U001	U002	U003	U004	U005	<b>U006</b>	U007	U008	U009	U010	U011	U012	U013	U014	U015	U016	U017	U018	U019
------	------	------	------	------	-------------	------	------	------	------	------	------	------	------	------	------	------	------	------

U006\_S003\_S002  
SIDE FENCE:REAR:ASS'Y

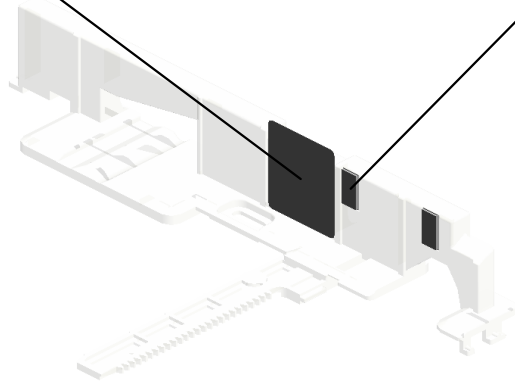
131.D1172844  
DECAL:SIDE FENC  
E:REAR



126.D2962836  
[A]  
SIDE FENCE:REAR  
:ASS'Y  
201612-02 O/O



119.D1172823  
(x2)  
PAD:SIDE FENCE

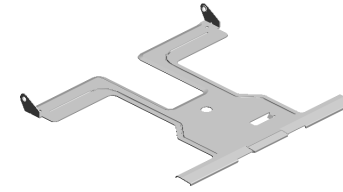
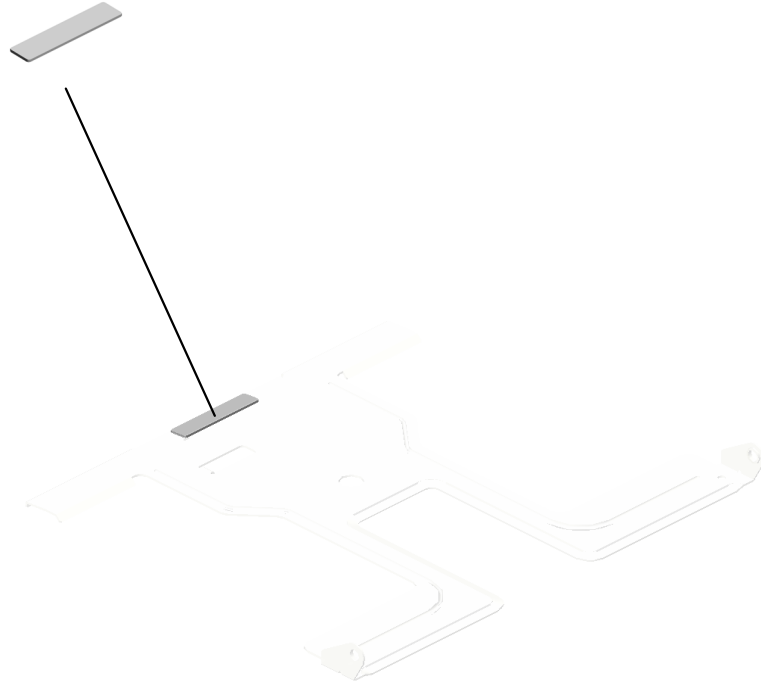


D1172836  
[A]  
SIDE FENCE:REAR  
:ASS'Y  
201612-02 O/O

U001	U002	U003	U004	U005	<b>U006</b>	U007	U008	U009	U010	U011	U012	U013	U014	U015	U016	U017	U018	U019
------	------	------	------	------	-------------	------	------	------	------	------	------	------	------	------	------	------	------	------

U006\_S003\_S003  
BASE:TRAY:ASS'Y

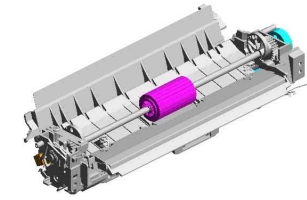
164.G5553069  
BASEPAD



161.D1962845  
BASE:TRAY:ASS'Y

U001	U002	U003	U004	U005	<b>U006</b>	U007	U008	U009	U010	U011	U012	U013	U014	U015	U016	U017	U018	U019
------	------	------	------	------	-------------	------	------	------	------	------	------	------	------	------	------	------	------	------

U006\_S004  
MANUAL FEED UNIT:ASS'Y



168.D1962701  
MANUAL FEED UNIT:ASSY

- 73.D1172734 (x2) TORSION SPRING: PAPER END SENSOR:MANUAL FEED
- 72.D1172733 FEELER: PAPER END SENSOR:MANUAL FEED
- 6.04513006N (x2) TAPPING SCREW - 3X6
- 59.D1172710 GUIDE PLATE:MANUAL FEED:LOWER
- 31.AF031092 PAPER FEED ROLLER:MANUAL FEED

20.AA082101 (x4) BUSHING - 6X10X6



63.D1172719 GEAR: PAPER FEED:MANUAL FEED



14.08050104 (x9) RETAINING RINGS -E:SILENCER:DIA4



4.04503010N (x8) TAPPING SCREW - M3X10



34.AX200328 ELECTROMAGNETIC CLUTCH:DRIVE:MANUAL FEED



33.AW020224 (x3) PHOTO INTERRUPTOR: GP1A173LCS VF 201607-01 O/O



71.D1172732 (x2) HOLDER: PAPER END SENSOR:MANUAL FEED



60.D1172711 FRICTION PAD:MANUAL FEED:ADHESION



61.D1172714 COMPRESSION SPRING:SEPARATION:MANUAL FEED



68.D1172727 GUIDE PLATE:MANUAL FEED:MIDDLE



15.11050511 (x2) HARNESS CLAMP - LWS-0306ZC



8.04523008N TAPPING SCREW - M3X8



70.D1172729 TENSION SPRING: GUIDE PLATE:MANUAL FEED



67.D1172725 (x2) COMPRESSION SPRING: PAPER FEED:MANUAL FEED



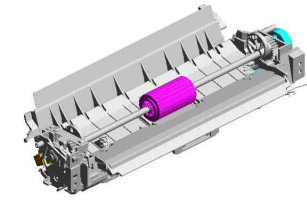
69.D1172728 SHEET:MANUAL FEED



U001	U002	U003	U004	U005	U006	U007	U008	U009	U010	U011	U012	U013	U014	U015	U016	U017	U018	U019
------	------	------	------	------	------	------	------	------	------	------	------	------	------	------	------	------	------	------

U006\_S004  
MANUAL FEED UNIT:ASS'Y

- 156.D1962793 GROUND PLATE:TRAY BOTTOM PLATE:MANUAL FEED:INNER BACK
- 167.M0963989 RESISTOR:TRANSFER/SEPARATION
- 157.D1962794 HOLDER:RESISTOR:MANUAL FEED:BASE
- 86.D1172756 FEELER:PAPER SIZE SENSOR:MANUAL FEED
- 85.D1172752 SPRING PLATE:HOME POSITION SENSOR:MANUAL FEED



168.D1962701  
MANUAL FEED UNIT:ASSY

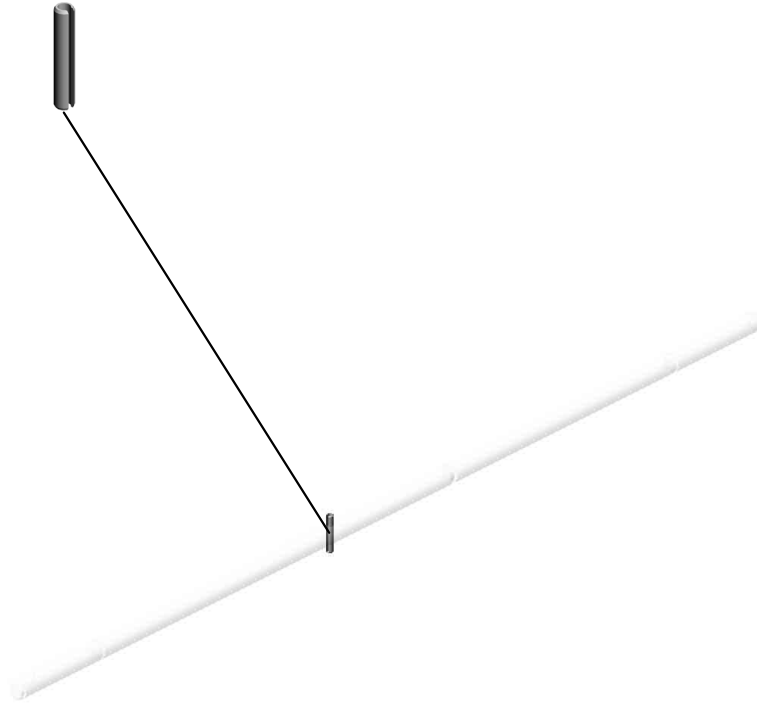


U001	U002	U003	U004	U005	U006	U007	U008	U009	U010	U011	U012	U013	U014	U015	U016	U017	U018	U019
------	------	------	------	------	------	------	------	------	------	------	------	------	------	------	------	------	------	------

U006\_S004\_S001  
SHAFT:PAPER FEED:MANUAL FEED

11.06220120E  
SPRING PIN - 2X12  
MM

62.D1172717  
SHAFT:PAPER FEE  
D:MANUAL FEED

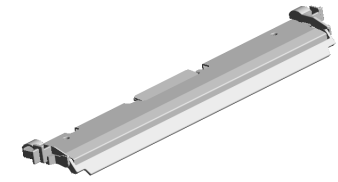


U001	U002	U003	U004	U005	<b>U006</b>	U007	U008	U009	U010	U011	U012	U013	U014	U015	U016	U017	U018	U019
------	------	------	------	------	-------------	------	------	------	------	------	------	------	------	------	------	------	------	------

U006\_S004\_S002

TRAY BOTTOM PLATE:MANUAL FEED:ASS'Y

102.D1172782 GUIDE PLATE:MANUAL FEED TABLE  
64.D1172721 TRAY BOTTOM PLATE:MANUAL FEED



154.D1962720  
TRAY BOTTOM PLATE:MANUAL FEED:ASS'Y

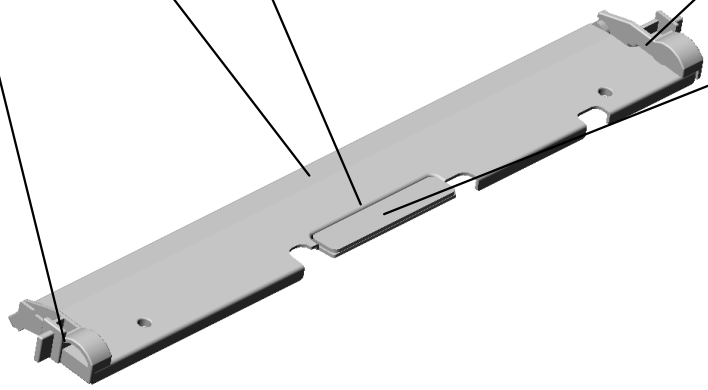
66.D1172724  
GUIDE:BASE:REAR



65.D1172723  
GUIDE:BASE:FRONT



164.G5553069  
BASEPAD



U001	U002	U003	U004	U005	<b>U006</b>	U007	U008	U009	U010	U011	U012	U013	U014	U015	U016	U017	U018	U019
------	------	------	------	------	-------------	------	------	------	------	------	------	------	------	------	------	------	------	------

# U007.PCDU

U007\_S004  
D2970121  
(D219/D220):PCDU:K:SERVIC  
E PARTS:A

U007\_S005  
D2970121  
(D219/D220):PCDU:K:SERVIC  
E PARTS:A

U007\_S006  
D2970121  
(D219/D220):PCDU:K:SERVIC  
E PARTS:A

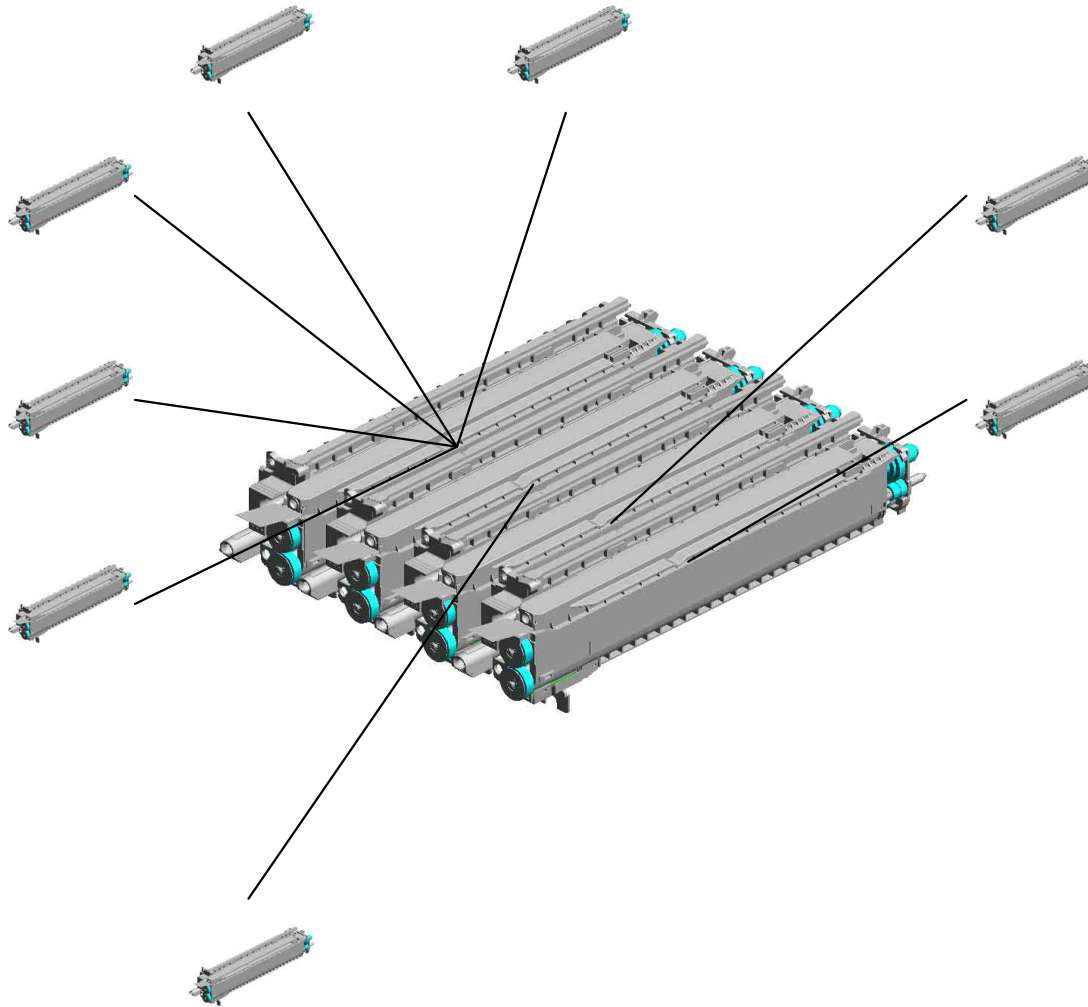
U007\_S002  
D2960123  
PCDU:M:SERVICE PARTS

U007\_S007  
D2970121  
(D219/D220):PCDU:K:SERVIC  
E PARTS:A

U007\_S003  
D2960124  
PCDU:Y:SERVICE PARTS

U007\_S008  
D2960121  
(D196/D214/D236):PCDU:K:S  
ERVICE PARTS:B

U007\_S001  
D2960122  
PCDU:C:SERVICE PARTS



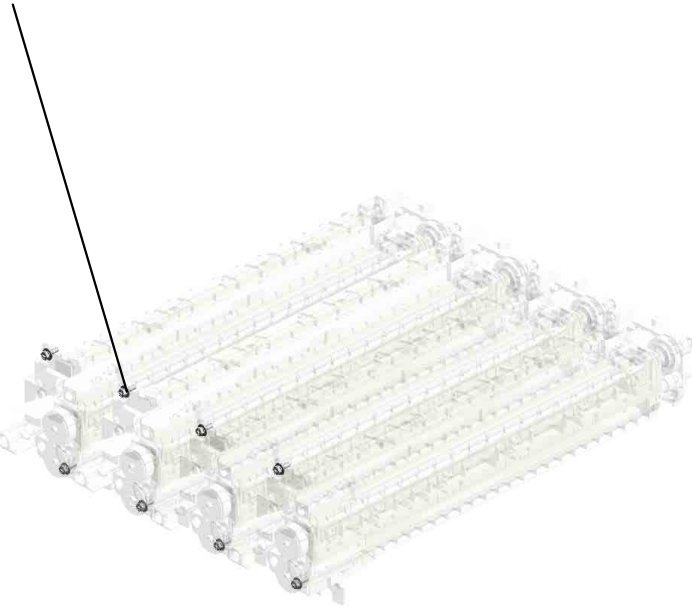
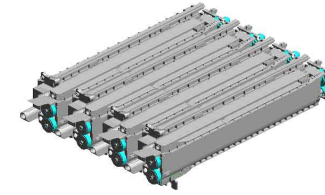
U001	U002	U003	U004	U005	U006	U007	U008	U009	U010	U011	U012	U013	U014	U015	U016	U017	U018	U019
------	------	------	------	------	------	------	------	------	------	------	------	------	------	------	------	------	------	------

U007  
PCDU

8-08046128

(x8)

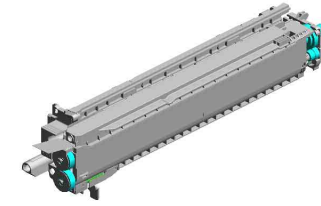
HEXAGONAL BOLT  
:DOUBLE SCREW:  
M3X10



U001	U002	U003	U004	U005	U006	U007	U008	U009	U010	U011	U012	U013	U014	U015	U016	U017	U018	U019
------	------	------	------	------	------	------	------	------	------	------	------	------	------	------	------	------	------	------

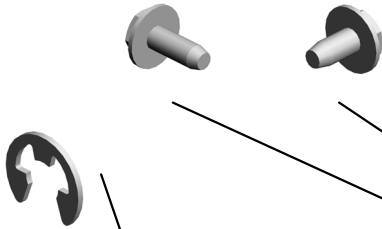
U007\_S001  
PCDU:C:SERVICE PARTS

3.04583008N 1.03603006N  
(x2) (x2)  
HEXAGON HEAD TAPPING SCREW:3 X8 SCREW - M3X6



16.D2960122  
[A]  
PCDU:C:SERVICE PARTS  
201712-01 O/O

7.07200040E  
(x2)  
RETAINING RING - M4



10.11050511  
HARNESS CLAMP - LWS-0306ZC



6.07200030E  
RETAINING RING - M3



9.08050104  
RETAINING RINGS -E:SILENCER:DIA4



4.06320080G  
PARALLEL KEY - 2 X8MM



2.04503010N 5.07200025E  
(x6) (x6)  
TAPPING SCREW - M3X10 RETAINING RING - M2.5

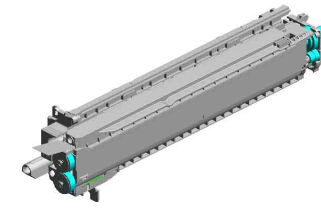


D2140122  
[A]  
PCDU:C:SERVICE PARTS  
201712-01 O/O

U001	U002	U003	U004	U005	U006	U007	U008	U009	U010	U011	U012	U013	U014	U015	U016	U017	U018	U019
------	------	------	------	------	------	------	------	------	------	------	------	------	------	------	------	------	------	------

U007\_S002  
PCDU:M:SERVICE PARTS

3.04583008N 1.03603006N  
(x2) (x2)  
HEXAGON HEAD TAPPING SCREW - M3X6  
SCREW - M3X6



17.D2960123  
[A]  
PCDU:M:SERVICE PARTS  
201712-02 O/O

7.07200040E  
(x2)  
RETAINING RING - M4



6.07200030E  
RETAINING RING - M3



9.08050104  
RETAINING RINGS -E:SILENCER:DIA4



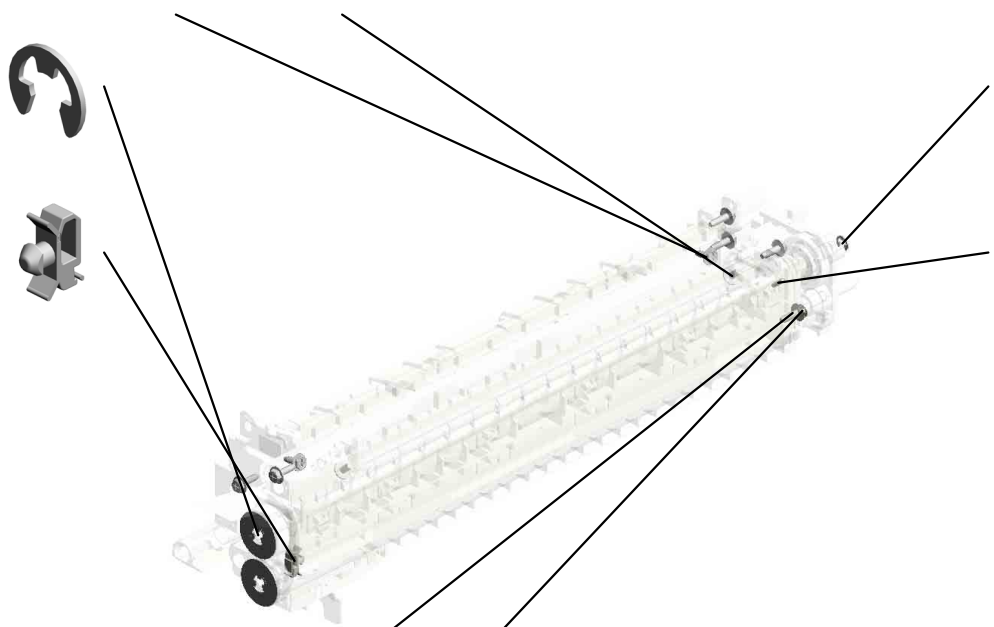
10.11050511  
HARNESS CLAMP - LWS-0306ZC



4.06320080G  
PARALLEL KEY - 2 X8MM



2.04503010N 5.07200025E  
(x6) (x6)  
TAPPING SCREW - M3X10  
RETAINING RING - M2.5

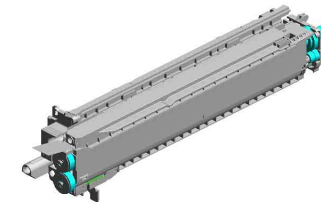


D2140123  
[A]  
PCDU:M:SERVICE PARTS  
201712-02 O/O

U001	U002	U003	U004	U005	U006	U007	U008	U009	U010	U011	U012	U013	U014	U015	U016	U017	U018	U019
------	------	------	------	------	------	------	------	------	------	------	------	------	------	------	------	------	------	------

U007\_S003  
PCDU:Y:SERVICE PARTS

3.04583008N 1.03603006N  
(x2) (x2)  
HEXAGON HEAD TAPPING SCREW:3 X8 SCREW - M3X6

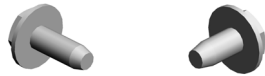


18.D2960124  
[A]  
PCDU:Y:SERVICE PARTS  
201712-03 O/O

7.07200040E  
(x2)  
RETAINING RING - M4



10.11050511  
HARNESS CLAMP - LWS-0306ZC



2.04503010N 5.07200025E  
(x6) (x6)  
TAPPING SCREW - M3X10 RETAINING RING - M2.5



6.07200030E  
RETAINING RING - M3



9.08050104  
RETAINING RINGS -E:SILENCER:DIA4



4.06320080G  
PARALLEL KEY - 2 X8MM



D2140124  
[A]  
PCDU:Y:SERVICE PARTS  
201712-03 O/O

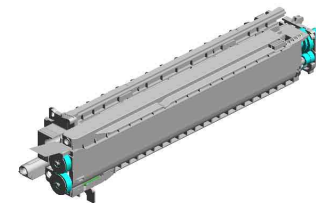
U001	U002	U003	U004	U005	U006	U007	U008	U009	U010	U011	U012	U013	U014	U015	U016	U017	U018	U019
------	------	------	------	------	------	------	------	------	------	------	------	------	------	------	------	------	------	------

U007\_S004  
 (D219/D220):PCDU:K:SERVICE PARTS:A

9.08050104 RETAINING RINGS  
 -E:SILENCER:DIA4  
 (x2)

3.04583008N HEXAGON HEAD TAPPING SCREW:3  
 X8

1.03603006N SCREW - M3X6  
 (x2)



11-D2970121  
 [A]  
 (D219/D220):PCDU:  
 K:SERVICE PARTS  
 :A  
 201612-04 O/O

7.07200040E  
 (x2)  
 RETAINING RING -  
 M4



10.11050511  
 HARNESS CLAMP -  
 LWS-0306ZC



2.04503010N  
 (x6)  
 TAPPING SCREW -  
 M3X10



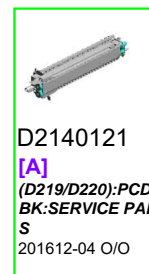
6.07200030E  
 RETAINING RING -  
 M3



4.06320080G  
 PARALLEL KEY - 2  
 X8MM



5.07200025E  
 RETAINING RING -  
 M2.5



D2140121  
 [A]  
 (D219/D220):PCDU:  
 BK:SERVICE PARTS  
 S  
 201612-04 O/O

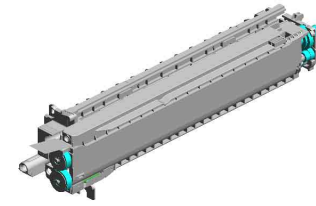
U001	U002	U003	U004	U005	U006	U007	U008	U009	U010	U011	U012	U013	U014	U015	U016	U017	U018	U019
------	------	------	------	------	------	------	------	------	------	------	------	------	------	------	------	------	------	------

U007\_S005  
 (D219/D220):PCDU:K:SERVICE PARTS:A

9.08050104 RETAINING RINGS  
 -E:SILENCER:DIA4  
 (x2)

3.04583008N HEXAGON HEAD TAPPING SCREW:3  
 X8

1.03603006N SCREW - M3X6  
 (x2)

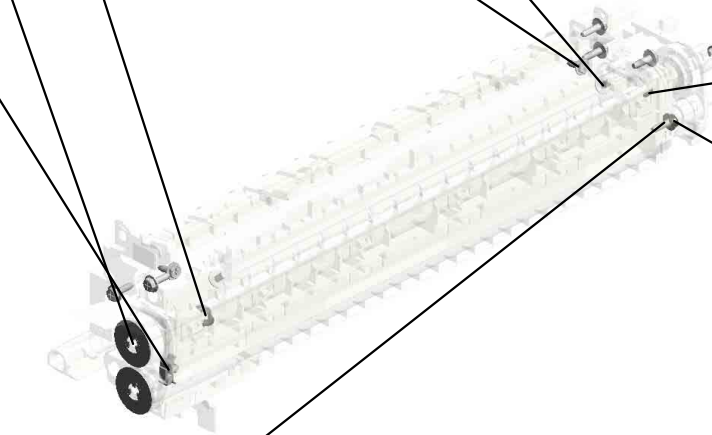


11-D2970121  
 [A]  
 (D219/D220):PCDU:  
 K:SERVICE PARTS  
 :A  
 201612-04 O/O

7.07200040E  
 (x2)  
 RETAINING RING -  
 M4



10.11050511  
 HARNESS CLAMP -  
 LWS-0306ZC



6.07200030E  
 RETAINING RING -  
 M3



4.06320080G  
 PARALLEL KEY - 2  
 X8MM



5.07200025E  
 RETAINING RING -  
 M2.5



2.04503010N  
 (x6)  
 TAPPING SCREW -  
 M3X10

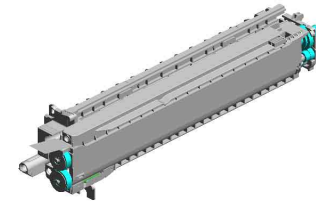


D2140121  
 [A]  
 (D219/D220):PCDU:  
 BK:SERVICE PARTS  
 S  
 201612-04 O/O

U001	U002	U003	U004	U005	U006	U007	U008	U009	U010	U011	U012	U013	U014	U015	U016	U017	U018	U019
------	------	------	------	------	------	------	------	------	------	------	------	------	------	------	------	------	------	------

U007\_S006  
 (D219/D220):PCDU:K:SERVICE PARTS:A

9.08050104 3.04583008N 1.03603006N  
 RETAINING RINGS (x2) HEXAGON HEAD TAPPING SCREW:3  
 -E:SILENCER:DIA4 X8 SCREW - M3X6



11-D2970121  
 [A]  
 (D219/D220):PCDU:  
 K:SERVICE PARTS  
 :A  
 201612-04 O/O

7.07200040E  
 (x2)  
 RETAINING RING -  
 M4



10.11050511  
 HARNESS CLAMP -  
 LWS-0306ZC



6.07200030E  
 RETAINING RING -  
 M3



4.06320080G  
 PARALLEL KEY - 2  
 X8MM



5.07200025E  
 RETAINING RING -  
 M2.5



2.04503010N  
 (x6)  
 TAPPING SCREW -  
 M3X10



D2140121  
 [A]  
 (D219/D220):PCDU:  
 BK:SERVICE PARTS  
 S  
 201612-04 O/O

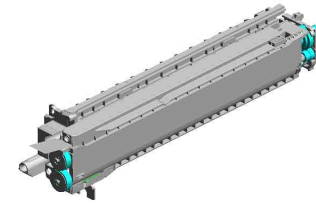
U001	U002	U003	U004	U005	U006	U007	U008	U009	U010	U011	U012	U013	U014	U015	U016	U017	U018	U019
------	------	------	------	------	------	------	------	------	------	------	------	------	------	------	------	------	------	------

U007\_S007  
 (D219/D220):PCDU:K:SERVICE PARTS:A

9.08050104 RETAINING RINGS  
 -E:SILENCER:DIA4  
 (x2)

3.04583008N HEXAGON HEAD TAPPING SCREW:3  
 X8

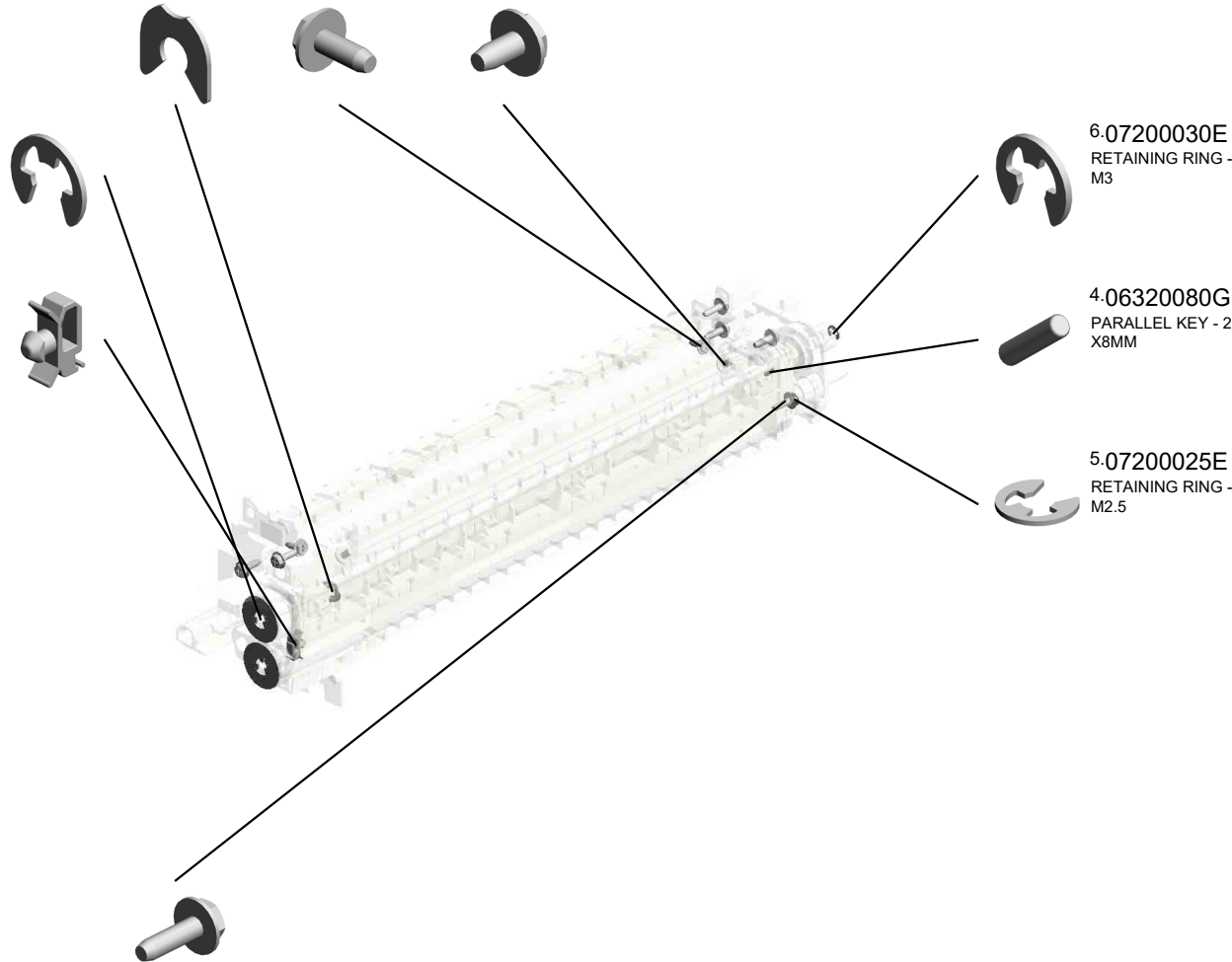
1.03603006N SCREW - M3X6  
 (x2)



11-D2970121  
 [A]  
 (D219/D220):PCDU:  
 K:SERVICE PARTS  
 :A  
 201612-04 O/O

7.07200040E  
 (x2)  
 RETAINING RING -  
 M4

10.11050511  
 HARNESS CLAMP -  
 LWS-0306ZC



2.04503010N  
 (x6)  
 TAPPING SCREW -  
 M3X10

6.07200030E  
 RETAINING RING -  
 M3

4.06320080G  
 PARALLEL KEY - 2  
 X8MM

5.07200025E  
 RETAINING RING -  
 M2.5

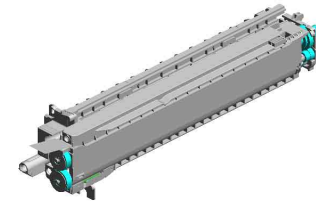


D2140121  
 [A]  
 (D219/D220):PCDU:  
 BK:SERVICE PARTS  
 S  
 201612-04 O/O

U001	U002	U003	U004	U005	U006	U007	U008	U009	U010	U011	U012	U013	U014	U015	U016	U017	U018	U019
------	------	------	------	------	------	------	------	------	------	------	------	------	------	------	------	------	------	------

U007\_S008  
 (D196/D214/D236):PCDU:K:SERVICE PARTS:B

9.08050104    3.04583008N    1.03603006N  
 RETAINING RINGS    (x2)    HEXAGON HEAD TAPPING SCREW:3  
 -E:SILENCER:DIA4    X8    SCREW - M3X6    (x2)



15.D2960121  
 [A]  
 (D196/D214/D236):  
 PCDU:K:SERVICE  
 PARTS:B  
 201704-01 O/O

7.07200040E  
 (x2)  
 RETAINING RING -  
 M4



10.11050511  
 HARNESS CLAMP -  
 LWS-0306ZC



2.04503010N  
 (x6)  
 TAPPING SCREW -  
 M3X10



6.07200030E  
 RETAINING RING -  
 M3



4.06320080G  
 PARALLEL KEY - 2  
 X8MM



5.07200025E  
 RETAINING RING -  
 M2.5



D2140125  
 [A]  
 (D196/D214/D236):  
 PCDU:BK:SERVICE  
 PARTS  
 201704-01 O/O

U001	U002	U003	U004	U005	U006	U007	U008	U009	U010	U011	U012	U013	U014	U015	U016	U017	U018	U019
------	------	------	------	------	------	------	------	------	------	------	------	------	------	------	------	------	------	------

# U008.DEVELOPMENT

U008\_S006  
D1963304  
DRIVE UNIT:TONER SUPPLY  
:ASSY

U008\_S001  
D1963301  
HOUSING:TONER SUPPLY:A  
SS'Y

U008\_S009  
D1963304  
DRIVE UNIT:TONER SUPPLY  
:ASSY

U008\_S002  
D1963302  
TONER HOPPER:TONER SU  
PPLY:BK:ASSY

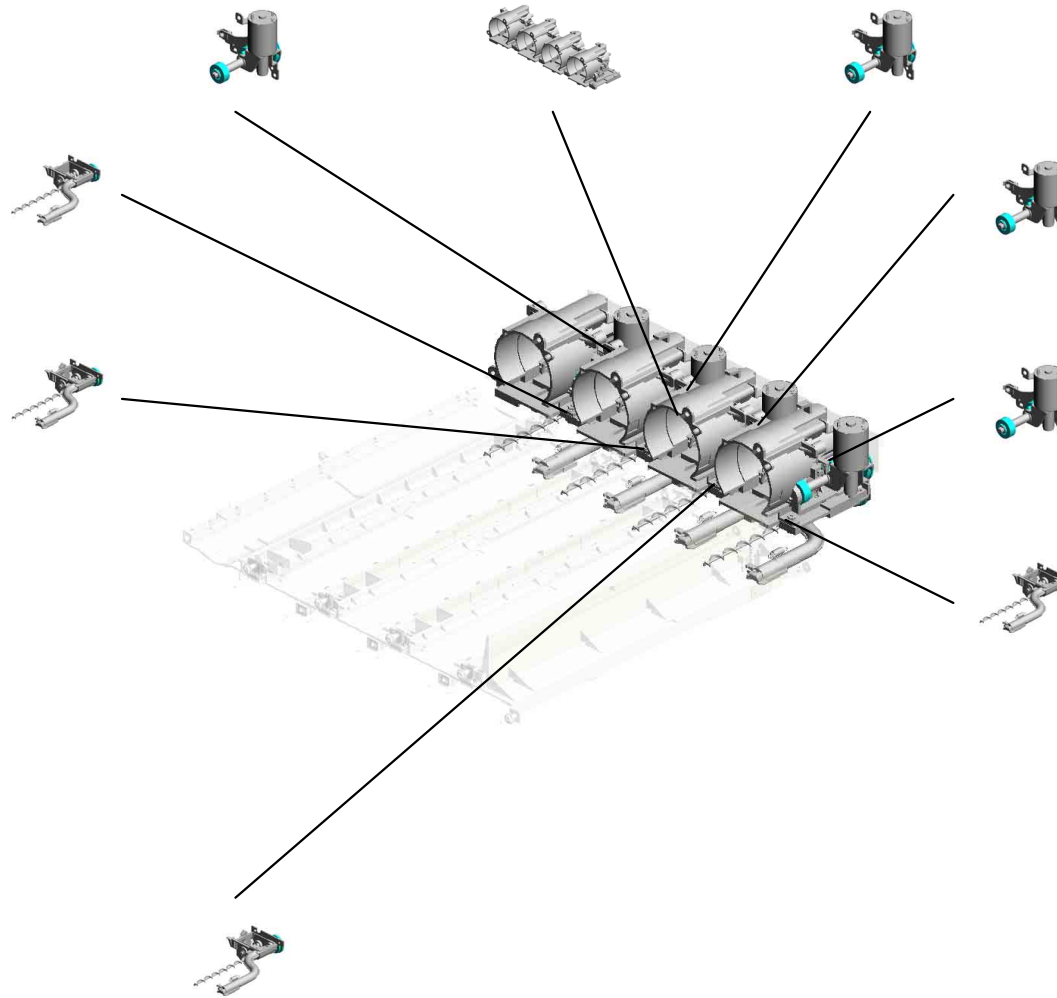
U008\_S005  
D1963303  
TONER HOPPER:TONER SU  
PPLY:CMY:ASSY

U008\_S008  
D1963304  
DRIVE UNIT:TONER SUPPLY  
:ASSY

U008\_S007  
D1963304  
DRIVE UNIT:TONER SUPPLY  
:ASSY

U008\_S003  
D1963303  
TONER HOPPER:TONER SU  
PPLY:CMY:ASSY

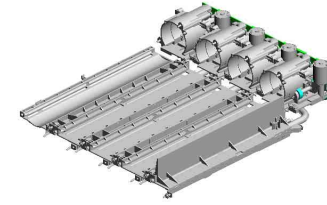
U008\_S004  
D1963303  
TONER HOPPER:TONER SU  
PPLY:CMY:ASSY



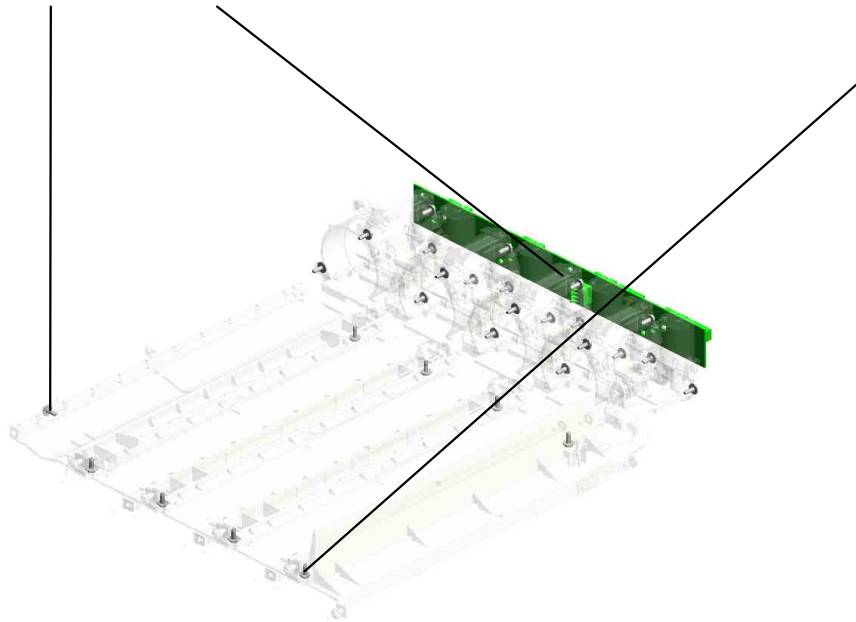
U001	U002	U003	U004	U005	U006	U007	U008	U009	U010	U011	U012	U013	U014	U015	U016	U017	U018	U019
------	------	------	------	------	------	------	------	------	------	------	------	------	------	------	------	------	------	------

U008  
DEVELOPMENT

3.04583008N 20.D1965160  
(x13) PCB:BRB  
HEXAGON HEAD TAPPING SCREW:3X8



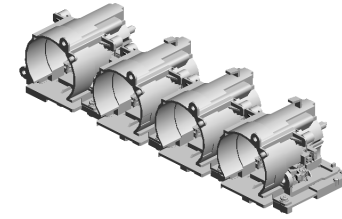
3.04583008N(x 4)  
HEXAGON HEAD TAPPING SCREW:3X8  
4.04583010N  
(x16)  
HEXAGON HEAD TAPPING SCREW:3X10



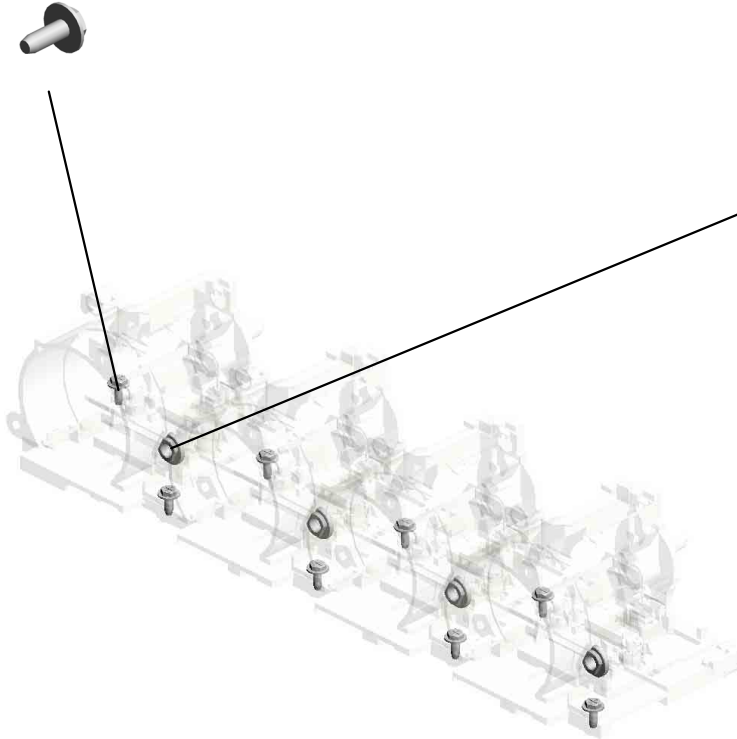
U001	U002	U003	U004	U005	U006	U007	<b>U008</b>	U009	U010	U011	U012	U013	U014	U015	U016	U017	U018	U019
------	------	------	------	------	------	------	-------------	------	------	------	------	------	------	------	------	------	------	------

U008\_S001  
HOUSING:TONER SUPPLY:ASS'Y

2.04503008N  
(x8)  
TAPPING SCREW -  
M3X8



15.D1963301  
HOUSING:TONER  
SUPPLY:ASS'Y

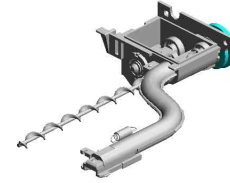


8.D1173354  
(x4)  
COLLAR:TONER S  
UPPLY:HOUSING

U001	U002	U003	U004	U005	U006	U007	<b>U008</b>	U009	U010	U011	U012	U013	U014	U015	U016	U017	U018	U019
------	------	------	------	------	------	------	-------------	------	------	------	------	------	------	------	------	------	------	------

U008\_S002  
TONER HOPPER:TONER SUPPLY:BK:ASS'Y

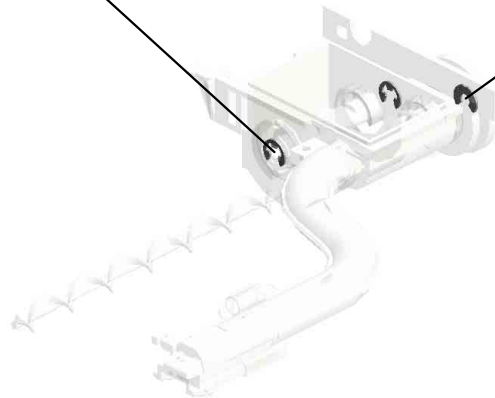
5.07200030E  
(x2)  
RETAINING RING -  
M3



16.D1963302  
TONER HOPPER:T  
ONER SUPPLY:BK:  
ASS'Y



6.08050103  
RETAINING RINGS  
-E:SILENCER:DIA3

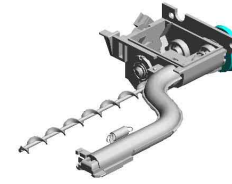


U001	U002	U003	U004	U005	U006	U007	<b>U008</b>	U009	U010	U011	U012	U013	U014	U015	U016	U017	U018	U019
------	------	------	------	------	------	------	-------------	------	------	------	------	------	------	------	------	------	------	------

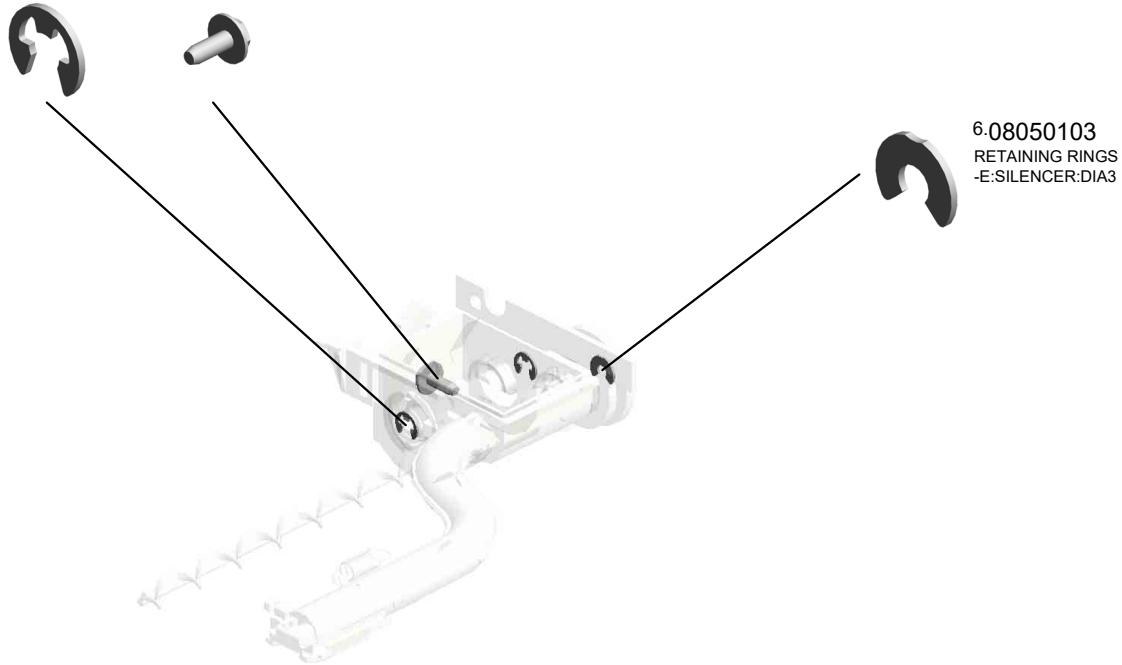
U008\_S003

TONER HOPPER:TONER SUPPLY:CMY:ASS'Y

5-07200030E 2-04503008N  
(x2) TAPPING SCREW -  
RETAINING RING - M3X8  
M3



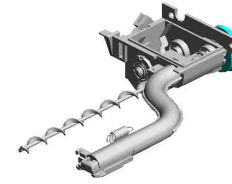
17-D1963303  
TONER HOPPER:T  
ONER SUPPLY:CM  
Y:ASS'Y



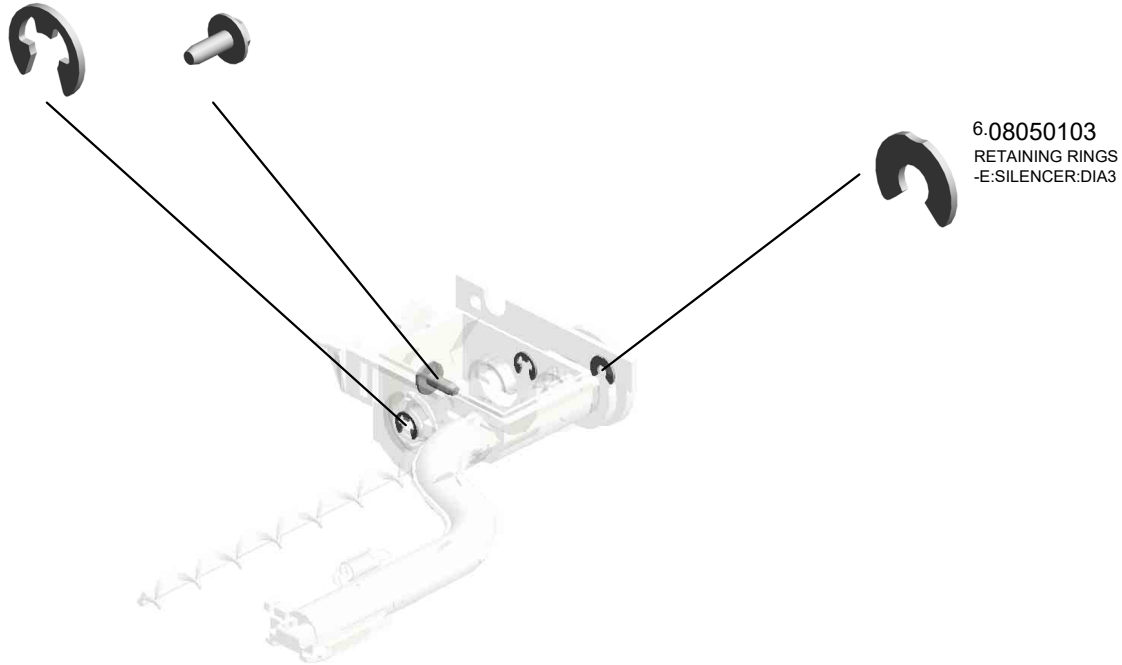
U001	U002	U003	U004	U005	U006	U007	<b>U008</b>	U009	U010	U011	U012	U013	U014	U015	U016	U017	U018	U019
------	------	------	------	------	------	------	-------------	------	------	------	------	------	------	------	------	------	------	------

U008\_S004  
TONER HOPPER:TONER SUPPLY:CMY:ASS'Y

5-07200030E 2-04503008N  
(x2) TAPPING SCREW -  
RETAINING RING - M3X8  
M3



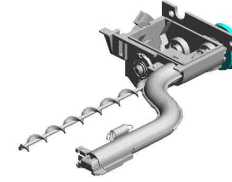
17-D1963303  
TONER HOPPER:T  
ONER SUPPLY:CM  
Y:ASS'Y



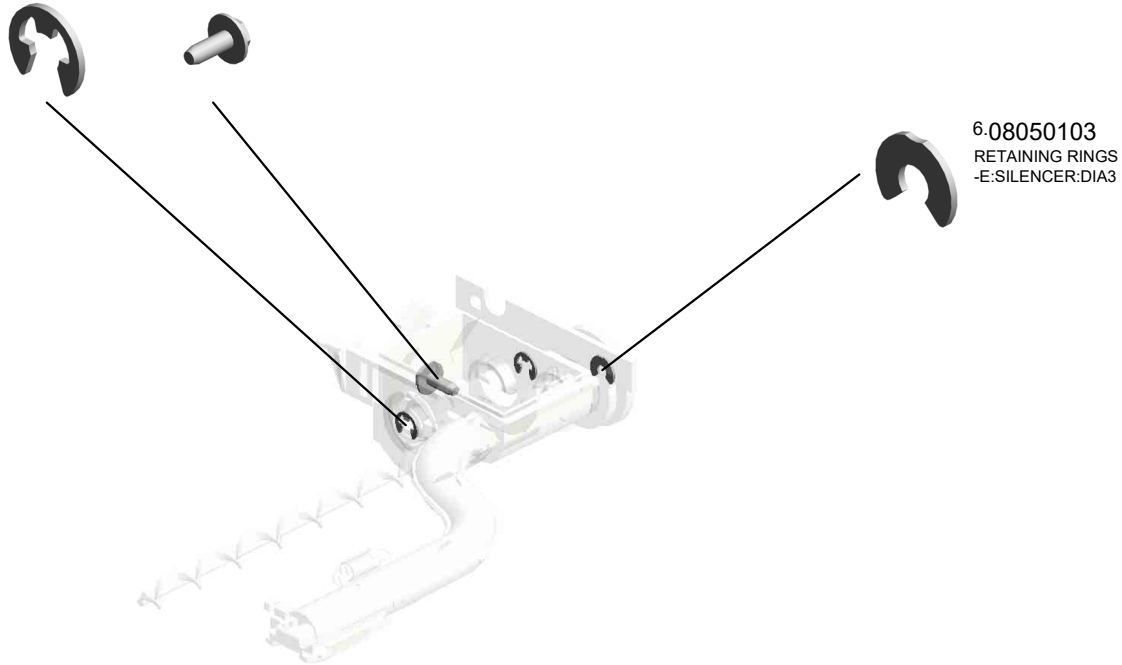
U001	U002	U003	U004	U005	U006	U007	<b>U008</b>	U009	U010	U011	U012	U013	U014	U015	U016	U017	U018	U019
------	------	------	------	------	------	------	-------------	------	------	------	------	------	------	------	------	------	------	------

U008\_S005  
TONER HOPPER:TONER SUPPLY:CMY:ASS'Y

5-07200030E 2-04503008N  
(x2) TAPPING SCREW -  
RETAINING RING - M3X8  
M3



17-D1963303  
TONER HOPPER:T  
ONER SUPPLY:CM  
Y:ASS'Y



U001	U002	U003	U004	U005	U006	U007	<b>U008</b>	U009	U010	U011	U012	U013	U014	U015	U016	U017	U018	U019
------	------	------	------	------	------	------	-------------	------	------	------	------	------	------	------	------	------	------	------

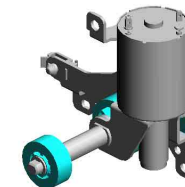
U008\_S006

DRIVE UNIT:TONER SUPPLY:ASS'Y

7.11050511  
HARNESS CLAMP -  
LWS-03062C

10.D1173401  
(x2)  
COLLAR:DRIVE:BR  
ACKET

13.D1173404  
SHAFT:DRIVE:AGI  
TATOR



18.D1963304  
DRIVE UNIT:TONER  
SUPPLY:ASS'Y

14.D1173405  
COMPRESSION SP  
RING:GEAR:TONER  
BOTTLE

12.D2963403  
GEAR:IDLER:TONER  
BOTTLE  
201705-01 X/O

9.D1173400  
DC MOTOR:TONER  
SUPPLY:5.3W:BRUSH

19.D1963390  
GEAR:TONER HOP  
PER:DRIVE SUB-UNIT

1.03530030N  
(x2)  
SCREW:M3X3

11.D1173402  
GEAR:IDLER:DC MOTOR

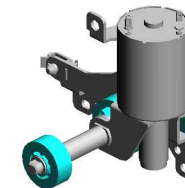
5.07200030E  
(x3)  
RETAINING RING -  
M3

U001	U002	U003	U004	U005	U006	U007	<b>U008</b>	U009	U010	U011	U012	U013	U014	U015	U016	U017	U018	U019
------	------	------	------	------	------	------	-------------	------	------	------	------	------	------	------	------	------	------	------

U008\_S007

DRIVE UNIT:TONER SUPPLY:ASS'Y

- 7.11050511 HARNESS CLAMP - LWS-0306ZC
- 10.D1173401 (x2) COLLAR:DRIVE:BRACKET
- 13.D1173404 SHAFT:DRIVE:AGITATOR



18.D1963304  
DRIVE UNIT:TONER SUPPLY:ASS'Y

14.D1173405  
COMPRESSION SPRING:GEAR:TONER BOTTLE

12.D2963403  
GEAR:IDLER:TONER BOTTLE 201705-01 X/O

9.D1173400  
DC MOTOR:TONER SUPPLY:5.3W:BRUSH

19.D1963390  
GEAR:TONER HOPPER:DRIVE SUB-UNIT

1.03530030N (x2) SCREW:M3X3

11.D1173402 GEAR:IDLER:DC MOTOR

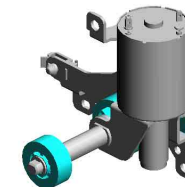
5.07200030E (x3) RETAINING RING - M3

U001	U002	U003	U004	U005	U006	U007	U008	U009	U010	U011	U012	U013	U014	U015	U016	U017	U018	U019
------	------	------	------	------	------	------	------	------	------	------	------	------	------	------	------	------	------	------

U008\_S008

DRIVE UNIT:TONER SUPPLY:ASS'Y

- 7.11050511 HARNESS CLAMP - LWS-0306ZC
- 10.D1173401 (x2) COLLAR:DRIVE:BRACKET
- 13.D1173404 SHAFT:DRIVE:AGITATOR



18.D1963304  
DRIVE UNIT:TONER SUPPLY:ASS'Y

14.D1173405  
COMPRESSION SPRING:GEAR:TONER BOTTLE

12.D2963403  
GEAR:IDLER:TONER BOTTLE 201705-01 X/O



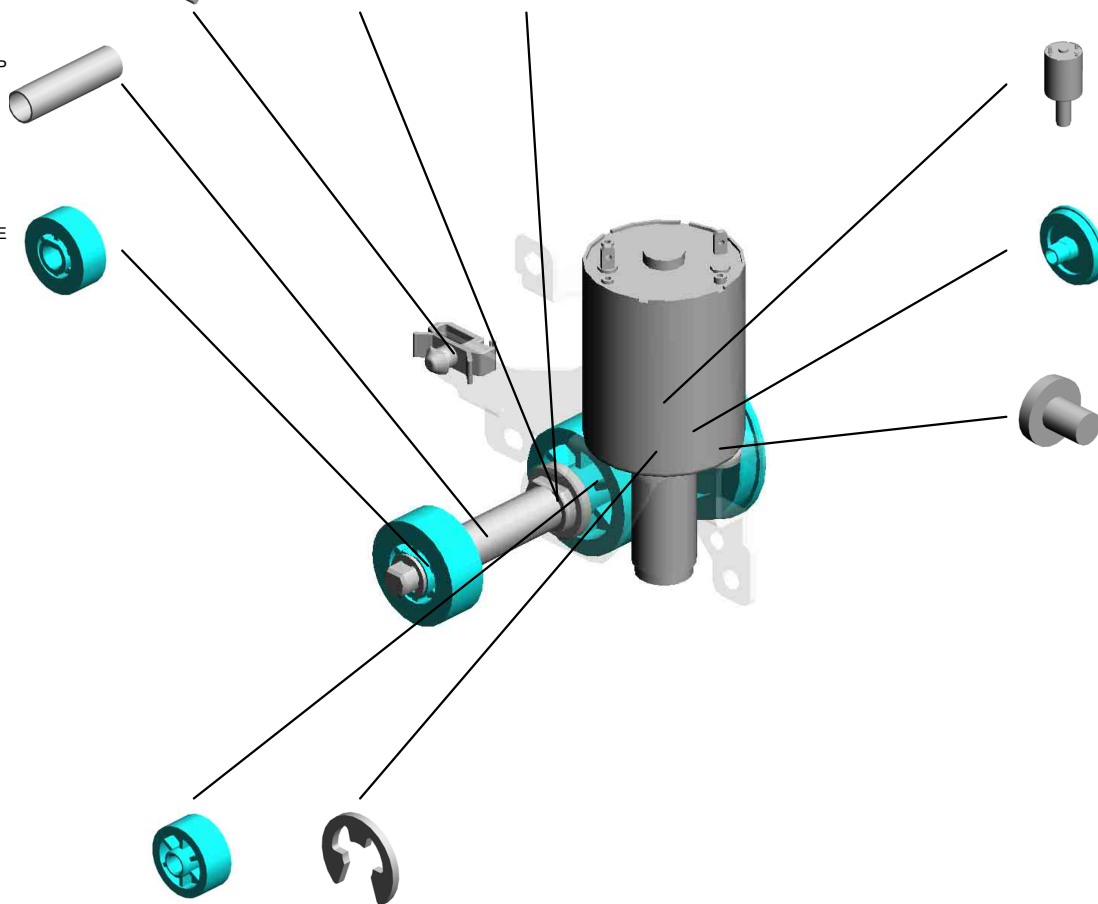
9.D1173400  
DC MOTOR:TONER SUPPLY:5.3W:BRUSH

19.D1963390  
GEAR:TONER HOPPER:DRIVE SUB-UNIT

1.03530030N (x2)  
SCREW:M3X3

11.D1173402  
GEAR:IDLER:DC MOTOR

5.07200030E (x3)  
RETAINING RING - M3

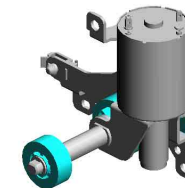


U001	U002	U003	U004	U005	U006	U007	U008	U009	U010	U011	U012	U013	U014	U015	U016	U017	U018	U019
------	------	------	------	------	------	------	------	------	------	------	------	------	------	------	------	------	------	------

U008\_S009

DRIVE UNIT:TONER SUPPLY:ASS'Y

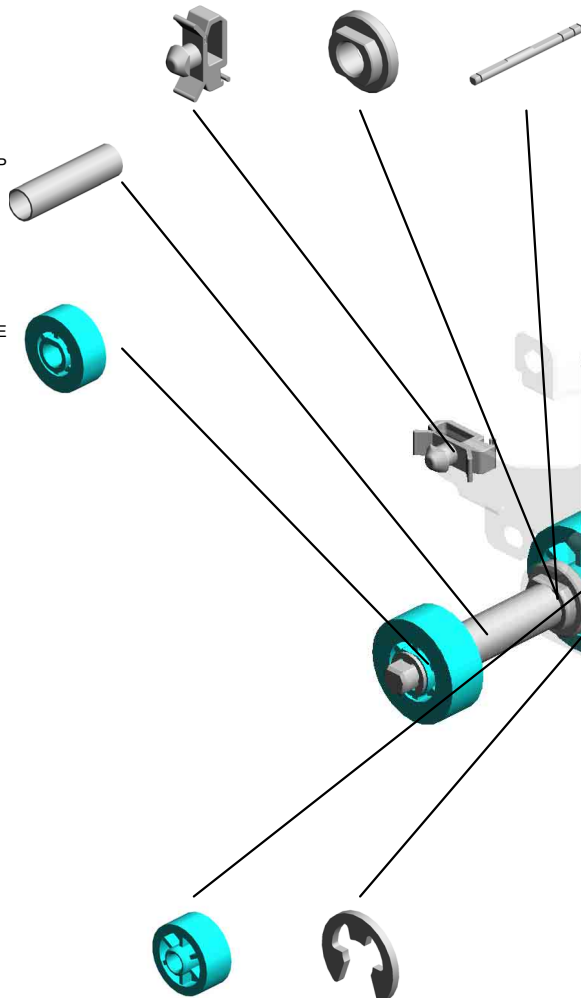
- 7.11050511 HARNESS CLAMP - LWS-03062C
- 10.D1173401 (x2) COLLAR:DRIVE:BRACKET
- 13.D1173404 SHAFT:DRIVE:AGITATOR



18.D1963304  
DRIVE UNIT:TONER SUPPLY:ASS'Y

14.D1173405  
COMPRESSION SPRING:GEAR:TONER BOTTLE

12.D2963403  
GEAR:IDLER:TONER BOTTLE 201705-01 X/O



9.D1173400  
DC MOTOR:TONER SUPPLY:5.3W:BRUSH

19.D1963390  
GEAR:TONER HOPPER:DRIVE SUB-UNIT

1.03530030N (x2)  
SCREW:M3X3

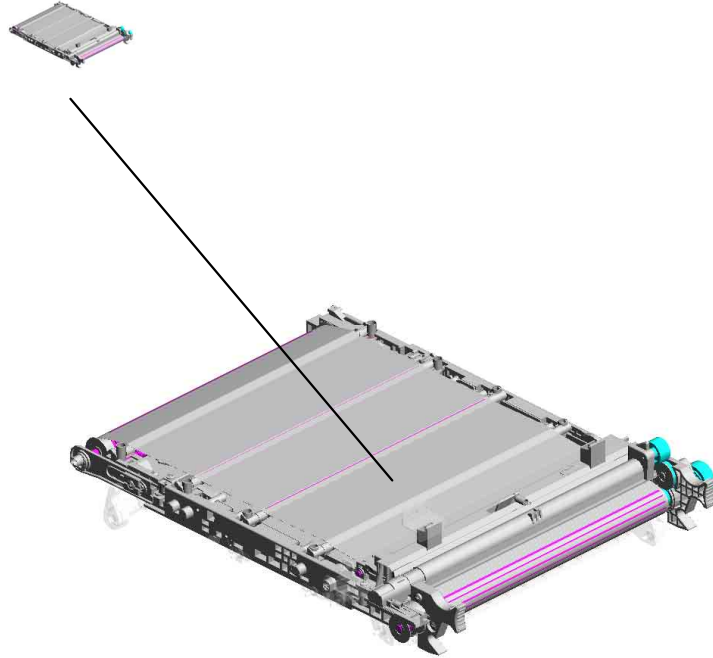
11.D1173402  
GEAR:IDLER:DC MOTOR

5.07200030E (x3)  
RETAINING RING - M3

U001	U002	U003	U004	U005	U006	U007	<b>U008</b>	U009	U010	U011	U012	U013	U014	U015	U016	U017	U018	U019
------	------	------	------	------	------	------	-------------	------	------	------	------	------	------	------	------	------	------	------

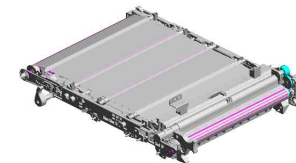
# U009.ITB UNIT

U009 S001  
D1966002  
TRANSFER UNIT:INTERMEDI  
ATE TRANSFER:SERVICE:AS  
SY



U001	U002	U003	U004	U005	U006	U007	U008	U009	U010	U011	U012	U013	U014	U015	U016	U017	U018	U019
------	------	------	------	------	------	------	------	------	------	------	------	------	------	------	------	------	------	------

# U009 ITB UNIT



- 24.D1176136 SHAFT:CAM:ON-O  
FF:BK
- 10.04583010N HEXAGON HEAD T  
APPING SCREW:3  
X10
- 14.08050104 (x2)  
RETAINING RINGS  
-E:SILENCER:DIA4
- 20.AA143520 SHOULDER SCRE  
W - M3
- 17.AA061084 TENSION SPRING:  
FEELER

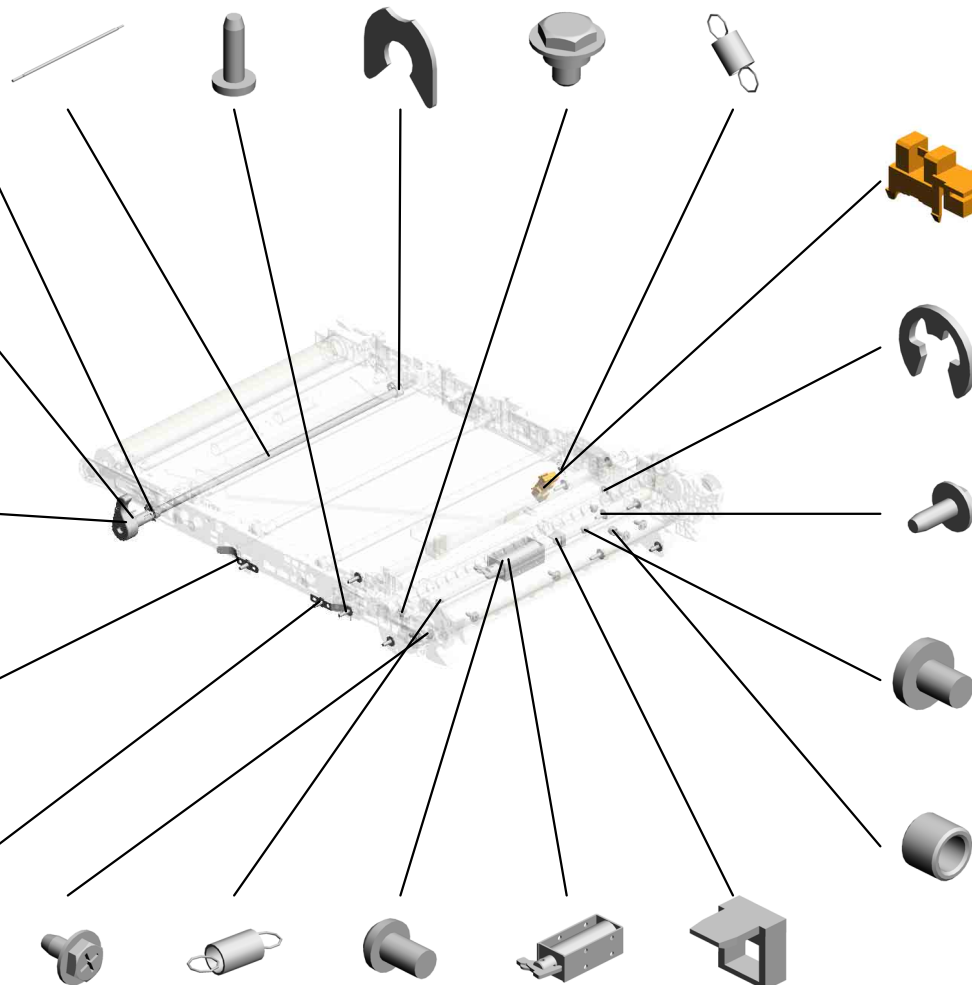
- 23.D1176135  
(x2)  
CAM:ON-OFF:BK

- 25.D1176137  
LEVER:ON-OFF:BK  
:INTERMEDIATE T  
RANSFER

- 18.AA066695  
TORSION SPRING:  
LEVER:ON-OFF

- 26.D1176138  
(x2)  
PRESSURE PLATE  
:INTERMEDIATE T  
RANSFER

- 5.04503010N  
(x9)  
TAPPING SCREW -  
M3X10



- 4.03603006N(x 1)  
SCREW - M3X6
- 6.04513006N(x 1)  
TAPPING SCREW - 3X6
- 21.AW020203  
PHOTOINTERRUP  
TOR:GP1A173LCS  
2F

- 11.07200030E  
RETAINING RING -  
M3

- 7.04513008N  
(x4)  
TAPPING SCREW -  
M3X8

- 2.03530030N  
(x2)  
SCREW:M3X3

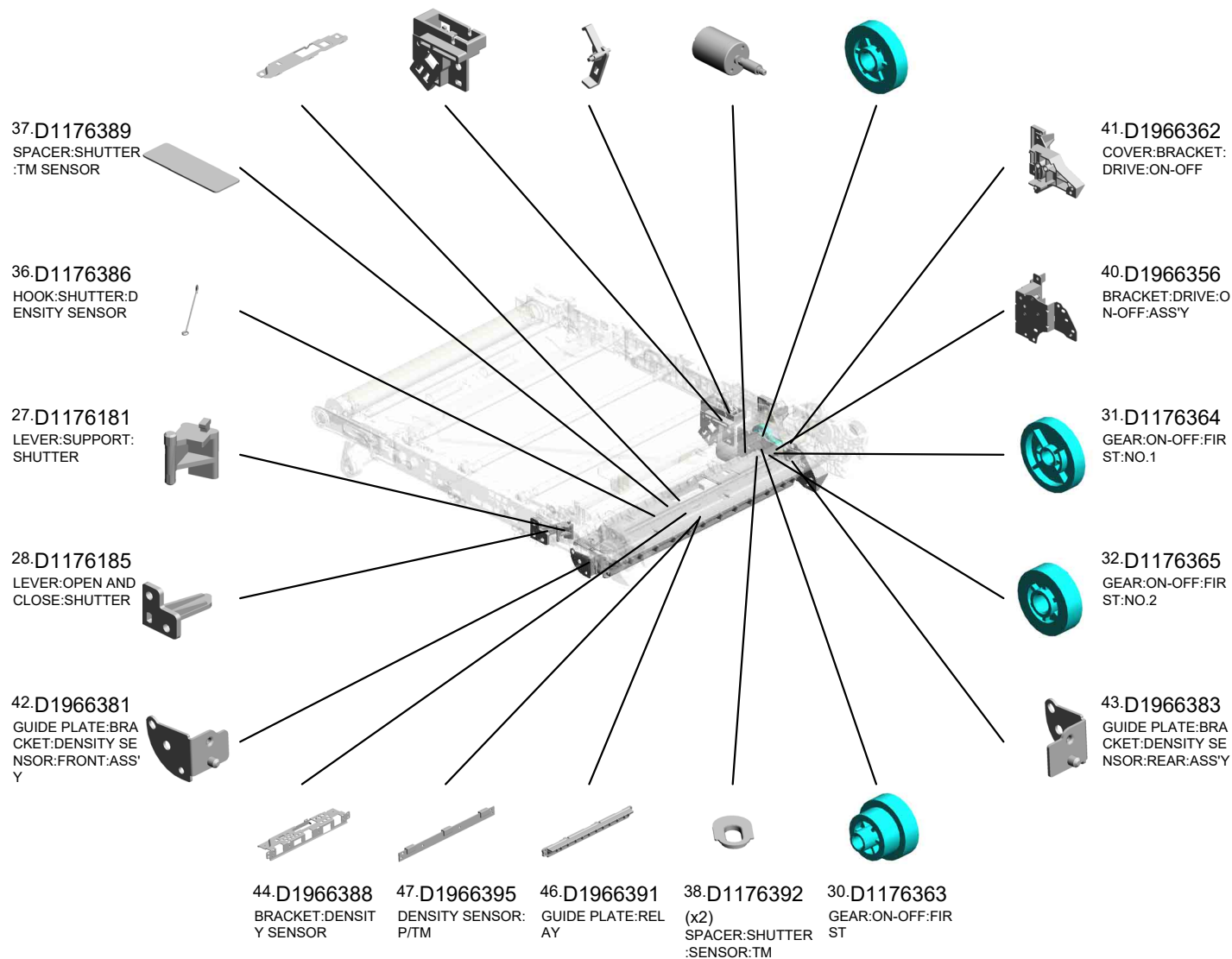
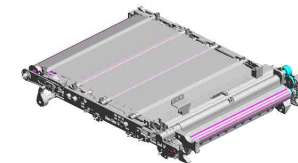
- 19.AA082109  
PLAIN SHAFT BEA  
RING:DIA4

- 6.04513006N  
(x3)  
TAPPING SCREW -  
3X6
- 16.AA060151  
TENSION SPRING
- 1.03125040N  
(x2)  
SCREW - M2.5X4
- 22.B2385875  
DC SOLENOID DC2  
4V
- 15.11050542  
HARNESS CLAMP -  
MSBS-1207

U001	U002	U003	U004	U005	U006	U007	U008	U009	U010	U011	U012	U013	U014	U015	U016	U017	U018	U019
------	------	------	------	------	------	------	------	------	------	------	------	------	------	------	------	------	------	------

# U009 ITB UNIT

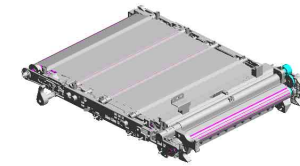
- 45.D1966390 SHUTTER:DENSIT  
Y SENSOR
- 34.D1176375 BRACKET:FEELER:  
ON-OFF
- 35.D1176376 FEELER:ON-OFF:FI  
RST
- 29.D1176350 DC MOTOR:ON-OF  
F:FIRST:ASS'Y:5.3  
W:BRUSH
- 33.D1176366 GEAR:ON-OFF:FIR  
ST:NO.3



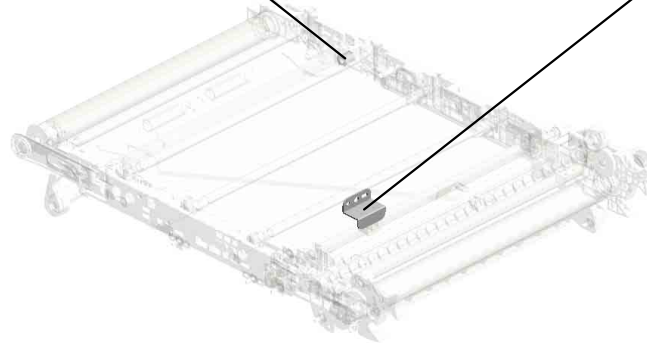
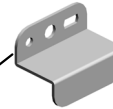
U001	U002	U003	U004	U005	U006	U007	U008	U009	U010	U011	U012	U013	U014	U015	U016	U017	U018	U019
------	------	------	------	------	------	------	------	------	------	------	------	------	------	------	------	------	------	------

U009  
ITB UNIT

48.G1666057  
PLAIN SHAFT BEA  
RING:ROLLER:BLA  
DE



49.D1966182  
STOPPER:TRANSF  
ER UNIT



U001	U002	U003	U004	U005	U006	U007	U008	U009	U010	U011	U012	U013	U014	U015	U016	U017	U018	U019
------	------	------	------	------	------	------	------	------	------	------	------	------	------	------	------	------	------	------

U009\_S001  
 TRANSFER UNIT:INTERMEDIATE TRANSFER:SERVICE:ASS'Y

11.07200030E 13.08050103  
 (x3) (x2)  
 RETAINING RING -  
 M3 RETAINING RINGS  
 -E:SILENCER:DIA3



39.D1966002  
 TRANSFER UNIT:I  
 NTERMEDIATE TR  
 ANSFER:SERVICE:  
 ASS'Y

3.03530060N  
 (x4)  
 BIND SCREW - M3  
 X6



9.04523010N  
 (x4)  
 BINDING SELF-TA  
 PPING SCREW:3X  
 10

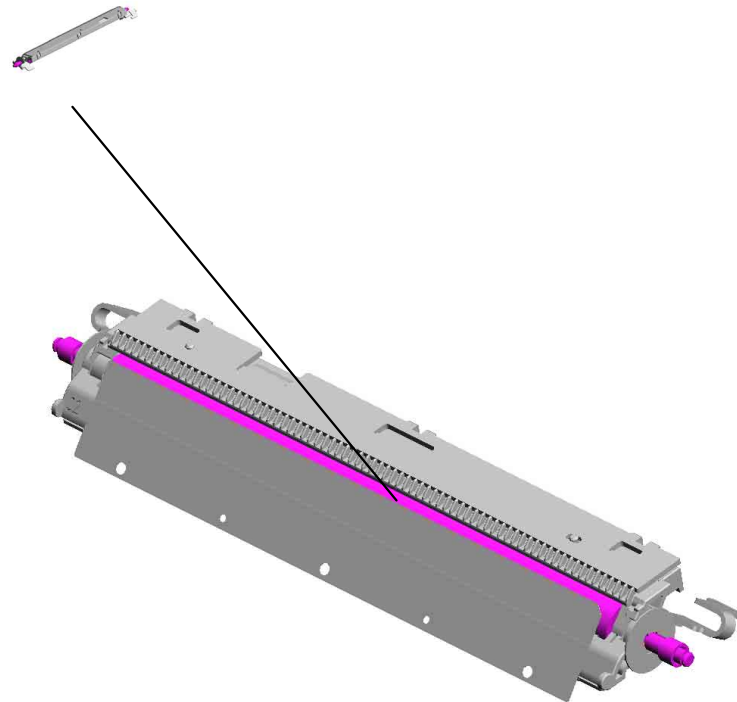
12.07200040E  
 (x3)  
 RETAINING RING -  
 M4

8.04523008N  
 (x10)  
 TAPPING SCREW -  
 M3X8

U001	U002	U003	U004	U005	U006	U007	U008	U009	U010	U011	U012	U013	U014	U015	U016	U017	U018	U019
------	------	------	------	------	------	------	------	------	------	------	------	------	------	------	------	------	------	------

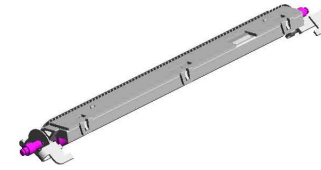
# U010.SEPARATION/TRANSPORT

U010 S001  
D1966201  
TRANSFER/SEPARATION UN  
IT:SECOND:ASSY



U001	U002	U003	U004	U005	U006	U007	U008	U009	U010	U011	U012	U013	U014	U015	U016	U017	U018	U019
------	------	------	------	------	------	------	------	------	------	------	------	------	------	------	------	------	------	------

U010  
SEPARATION/TRANSPORT

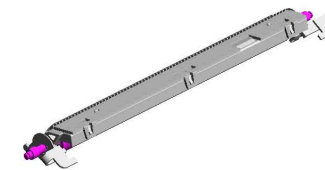


U001	U002	U003	U004	U005	U006	U007	U008	U009	U010	U011	U012	U013	U014	U015	U016	U017	U018	U019
------	------	------	------	------	------	------	------	------	------	------	------	------	------	------	------	------	------	------

U010\_S001

TRANSFER/SEPARATION UNIT:SECOND:ASS'Y

4.07200040E 24.D1176265  
(x2) SEAL:DISCHARGE:  
RETAINING RING - PLATE:FRONT  
M4



13.D1966201  
TRANSFER/SEPARATION UNIT:SECOND:ASS'Y

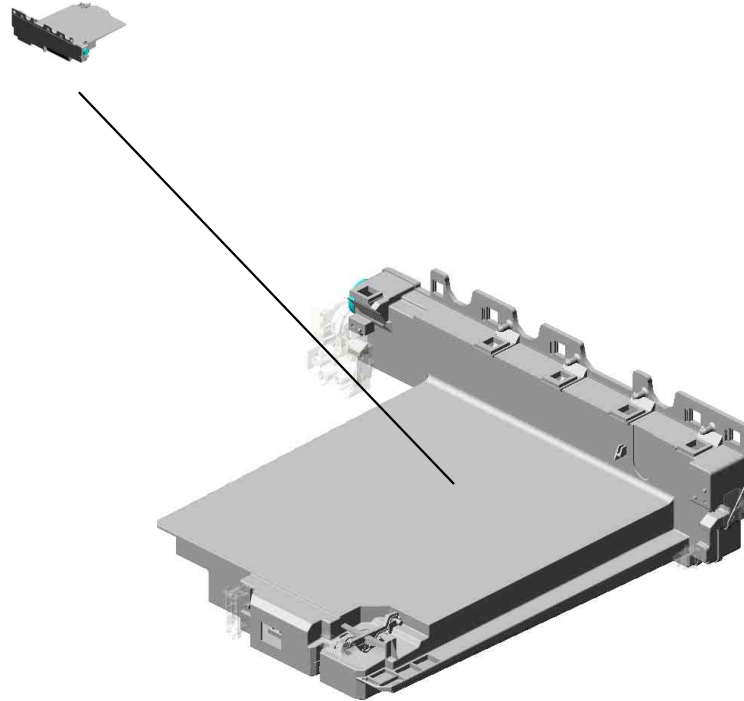


25.D1176268  
SHEET:DISCHARGE:PLATE

U001	U002	U003	U004	U005	U006	U007	U008	U009	U010	U011	U012	U013	U014	U015	U016	U017	U018	U019
------	------	------	------	------	------	------	------	------	------	------	------	------	------	------	------	------	------	------

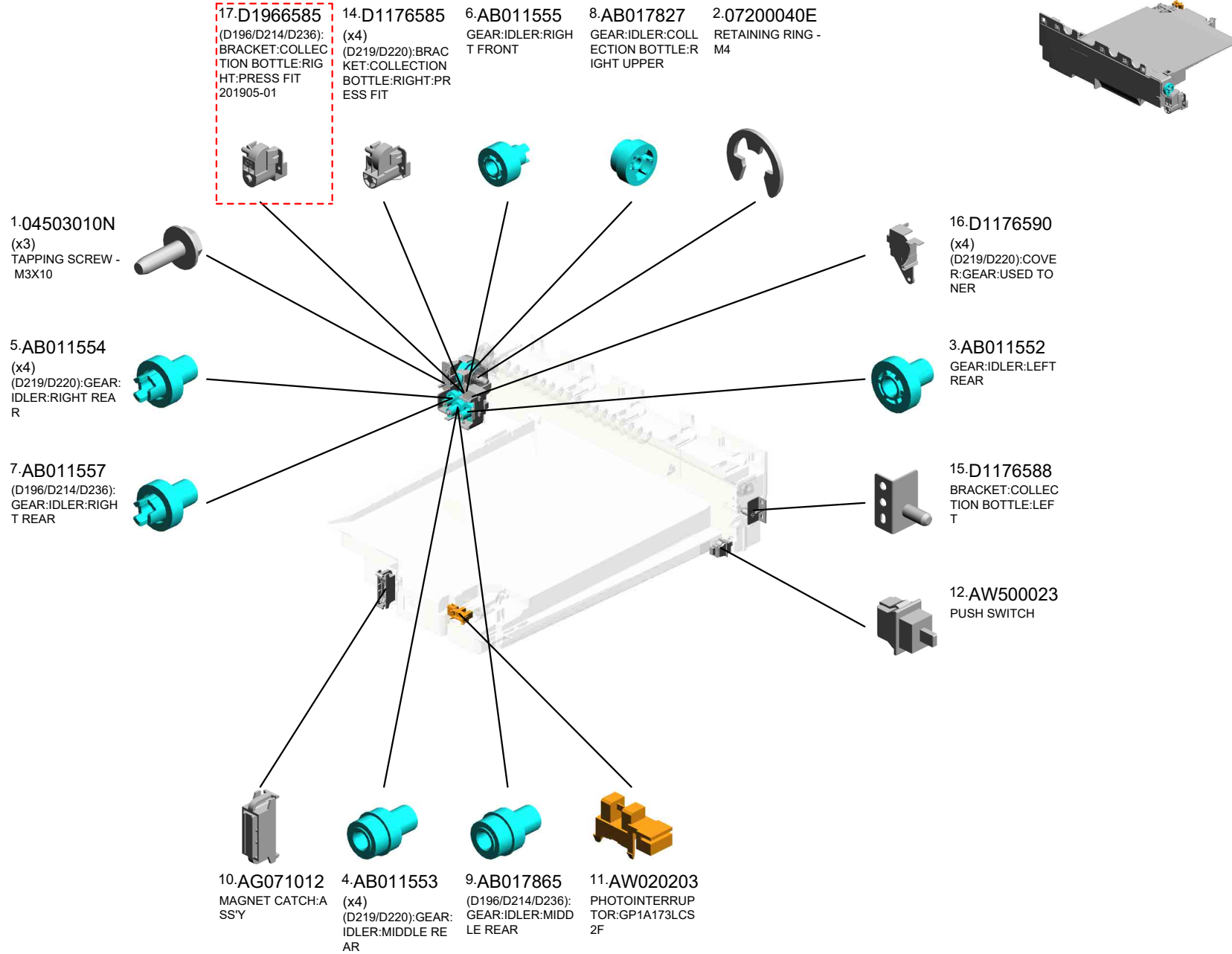
# U011.USED TONER

U011 S001  
D1176401  
COLLECTION BOTTLE:ASSY



U001	U002	U003	U004	U005	U006	U007	U008	U009	U010	U011	U012	U013	U014	U015	U016	U017	U018	U019
------	------	------	------	------	------	------	------	------	------	------	------	------	------	------	------	------	------	------

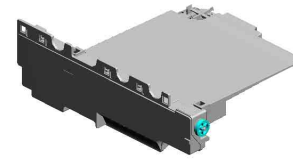
# U011 USED TONER



U001	U002	U003	U004	U005	U006	U007	U008	U009	U010	U011	U012	U013	U014	U015	U016	U017	U018	U019
------	------	------	------	------	------	------	------	------	------	------	------	------	------	------	------	------	------	------

U011\_S001  
COLLECTION BOTTLE:ASS'Y

1-04503010N  
TAPPING SCREW -  
M3X10



13-D1176401  
COLLECTION BOT  
TLE:ASS'Y



U001	U002	U003	U004	U005	U006	U007	U008	U009	U010	U011	U012	U013	U014	U015	U016	U017	U018	U019
------	------	------	------	------	------	------	------	------	------	------	------	------	------	------	------	------	------	------

# U012.FUSING

U012 S001  
D1964032  
(D196/D214)(-EU,-AA,-KOR,-C  
HN):FUSING UNIT:SERVICE  
PARTS

U012 S002  
D1964032  
(D196/D214)(-EU,-AA,-KOR,-C  
HN):FUSING UNIT:SERVICE  
PARTS

U012 S003  
D1964032  
(D196/D214)(-EU,-AA,-KOR,-C  
HN):FUSING UNIT:SERVICE  
PARTS

U012 S005  
D1964033  
(D236)(-TWN):FUSING UNIT:  
SERVICE PARTS

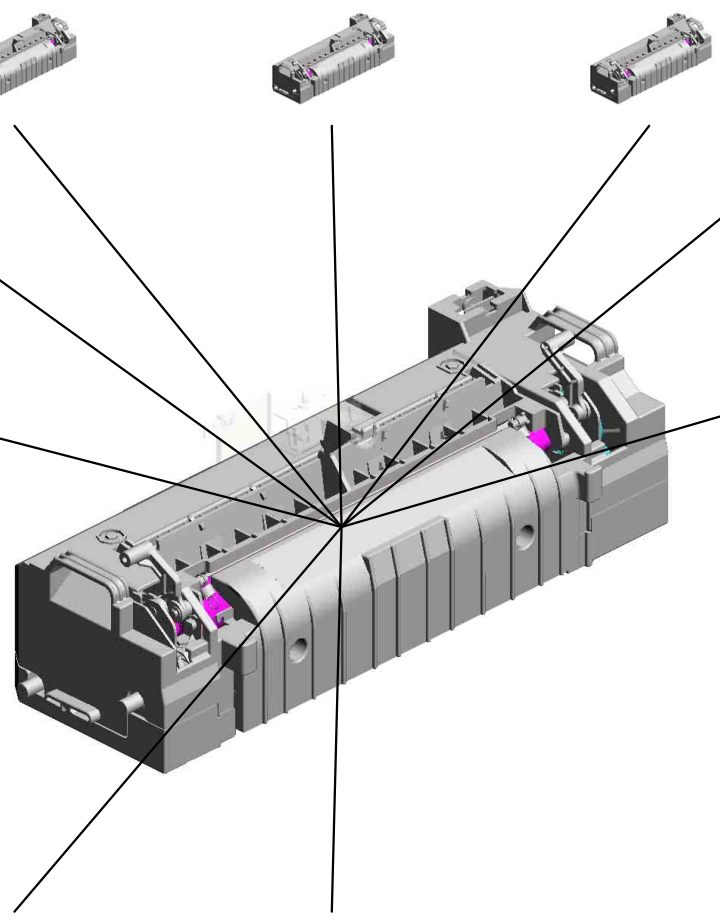
U012 S004  
D1964031  
(D196)(-NA):FUSING UNIT:SE  
RVICE PARTS

U012 S008  
D1964034  
(D220)(-NA):FUSING UNIT:SE  
RVICE PARTS

U012 S007  
D1964035  
(D219/D220)(-EU,-AA):FUSIN  
G UNIT:SERVICE PARTS

U012 S006  
D1964035  
(D219/D220)(-EU,-AA):FUSIN  
G UNIT:SERVICE PARTS

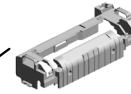
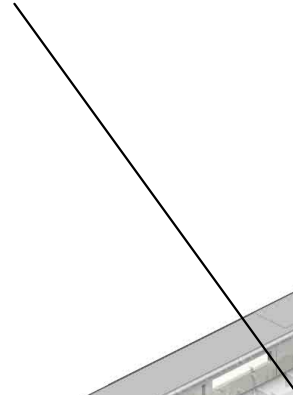
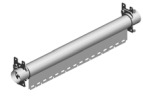
U012 S009  
D1964036  
(D220)(-TWN):FUSING UNIT:  
SERVICE PARTS



U001	U002	U003	U004	U005	U006	U007	U008	U009	U010	U011	U012	U013	U014	U015	U016	U017	U018	U019
------	------	------	------	------	------	------	------	------	------	------	------	------	------	------	------	------	------	------

# U012\_S001.(D196/D214)(-EU,-AA,-KOR,-CHN):FUSING UNIT:SERVICE PARTS

U012\_S001\_S002  
D1964038  
(-EU,-AA,-KOR,-CHN):SLEEV  
E:FUSING:ASS'Y

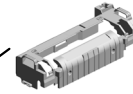
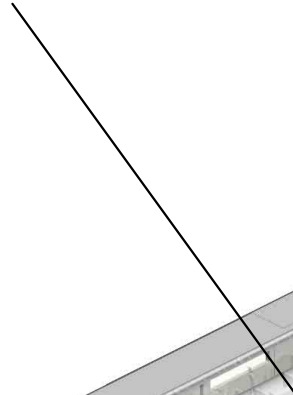
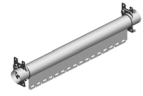


U012\_S001\_S001  
D1174261  
FUSING COVER:UPPER:ASS'  
Y

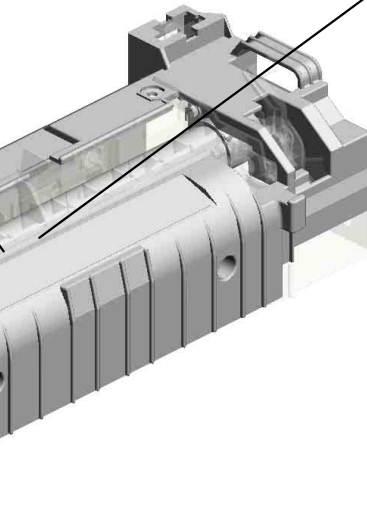
U001	U002	U003	U004	U005	U006	U007	U008	U009	U010	U011	U012	U013	U014	U015	U016	U017	U018	U019
------	------	------	------	------	------	------	------	------	------	------	------	------	------	------	------	------	------	------

# U012\_S002.(D196/D214)(-EU,-AA,-KOR,-CHN):FUSING UNIT:SERVICE PARTS

U012\_S002\_S002  
D1964038  
(-EU,-AA,-KOR,-CHN):SLEEV  
E:FUSING:ASS'Y



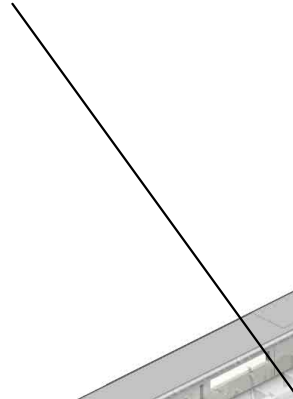
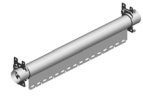
U012\_S002\_S001  
D1174261  
FUSING COVER:UPPER:ASS'  
Y



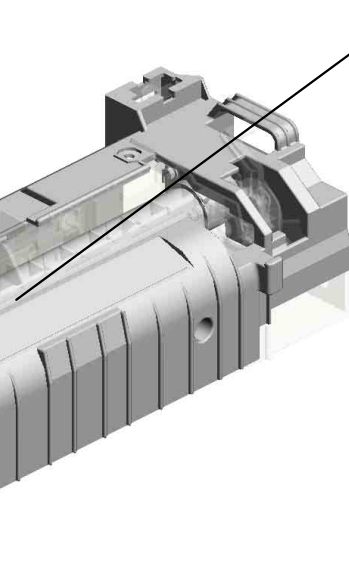
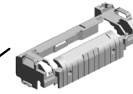
U001	U002	U003	U004	U005	U006	U007	U008	U009	U010	U011	U012	U013	U014	U015	U016	U017	U018	U019
------	------	------	------	------	------	------	------	------	------	------	------	------	------	------	------	------	------	------

# U012\_S003.(D196/D214)(-EU,-AA,-KOR,-CHN):FUSING UNIT:SERVICE PARTS

U012\_S003\_S002  
D1964038  
(-EU,-AA,-KOR,-CHN):SLEEV  
E:FUSING:ASS'Y



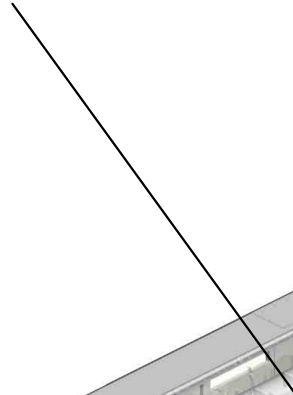
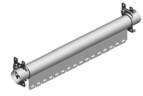
U012\_S003\_S001  
D1174261  
FUSING COVER:UPPER:ASS'  
Y



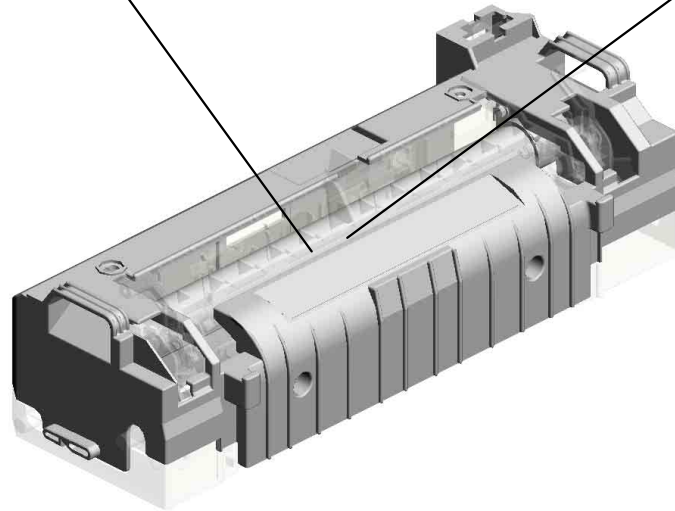
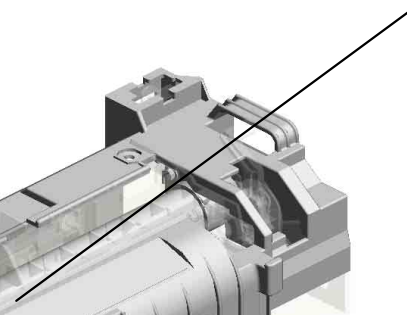
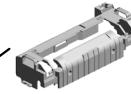
U001	U002	U003	U004	U005	U006	U007	U008	U009	U010	U011	U012	U013	U014	U015	U016	U017	U018	U019
------	------	------	------	------	------	------	------	------	------	------	------	------	------	------	------	------	------	------

# U012\_S004.(D196)(-NA):FUSING UNIT:SERVICE PARTS

U012\_S004\_S002  
D1964037  
(-NA):SLEEVE:FUSING:ASS'Y



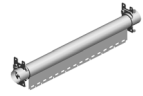
U012\_S004\_S001  
D1174261  
FUSING COVER:UPPER:ASS'  
Y



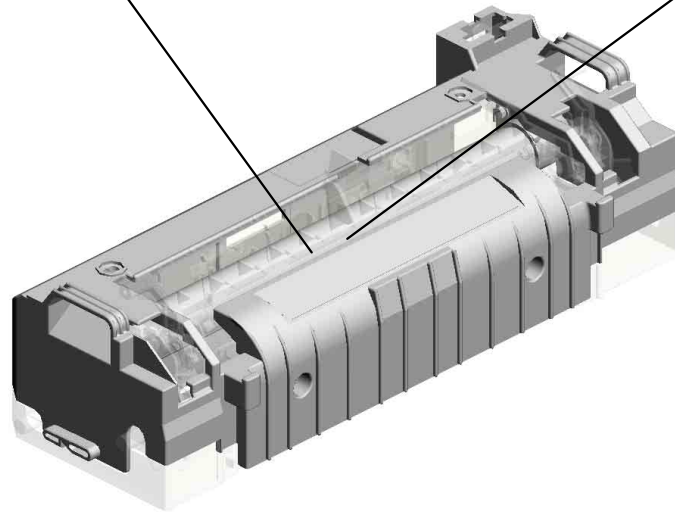
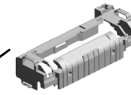
U001	U002	U003	U004	U005	U006	U007	U008	U009	U010	U011	U012	U013	U014	U015	U016	U017	U018	U019
------	------	------	------	------	------	------	------	------	------	------	------	------	------	------	------	------	------	------

# U012\_S005.(D236)(-TWN):FUSING UNIT:SERVICE PARTS

U012\_S005\_S002  
D1964039  
(-TWN):SLEEVE:FUSING:ASS  
Y



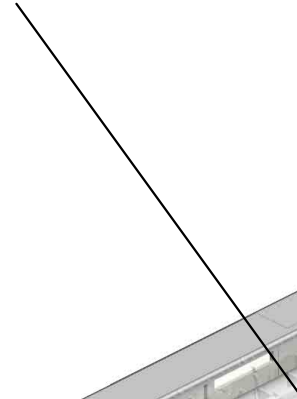
U012\_S005\_S001  
D1174261  
FUSING COVER:UPPER:ASS  
Y



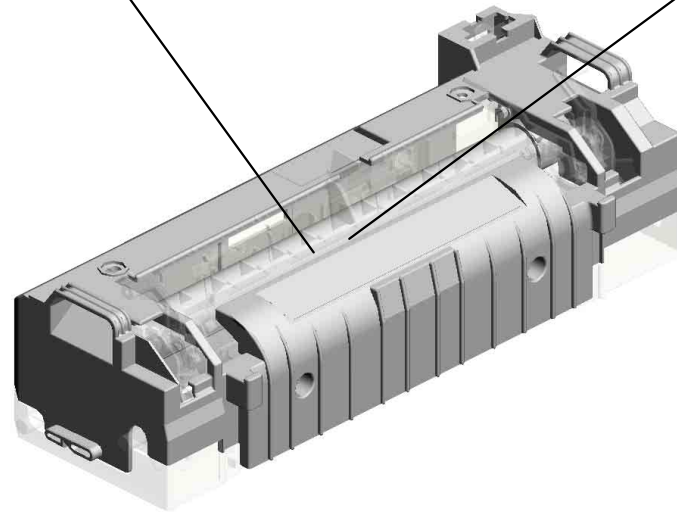
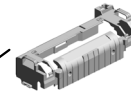
U001	U002	U003	U004	U005	U006	U007	U008	U009	U010	U011	U012	U013	U014	U015	U016	U017	U018	U019
------	------	------	------	------	------	------	------	------	------	------	------	------	------	------	------	------	------	------

# U012\_S006.(D219/D220)(-EU,-AA):FUSING UNIT:SERVICE PARTS

U012\_S006\_S002  
D1964038  
(-EU,-AA,-KOR,-CHN):SLEEV  
E:FUSING:ASS'Y



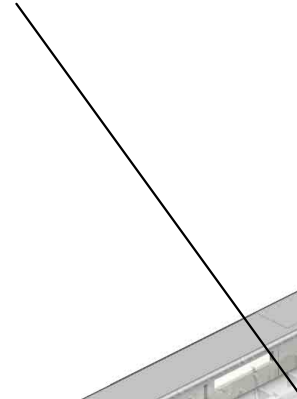
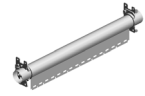
U012\_S006\_S001  
D1174261  
FUSING COVER:UPPER:ASS'  
Y



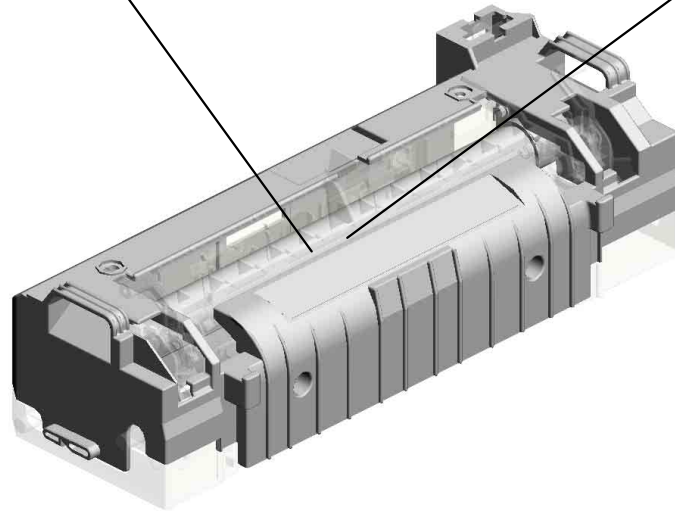
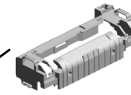
U001	U002	U003	U004	U005	U006	U007	U008	U009	U010	U011	U012	U013	U014	U015	U016	U017	U018	U019
------	------	------	------	------	------	------	------	------	------	------	------	------	------	------	------	------	------	------

# U012\_S007.(D219/D220)(-EU,-AA):FUSING UNIT:SERVICE PARTS

U012\_S007\_S002  
D1964038  
(-EU,-AA,-KOR,-CHN):SLEEV  
E:FUSING:ASS'Y



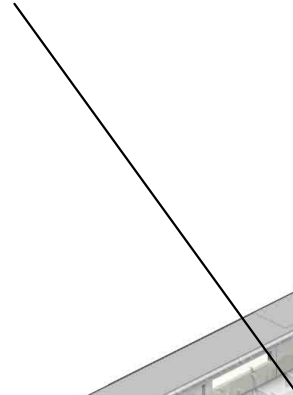
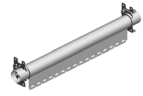
U012\_S007\_S001  
D1174261  
FUSING COVER:UPPER:ASS'  
Y



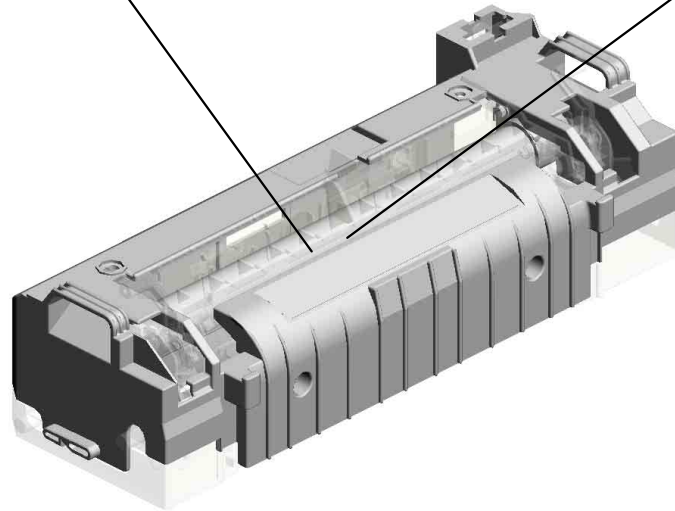
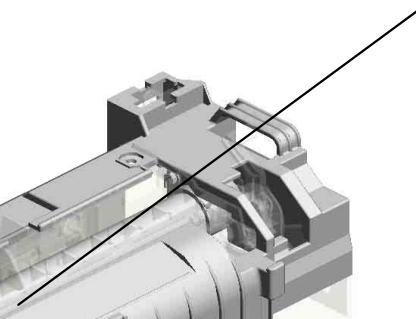
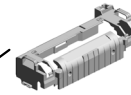
U001	U002	U003	U004	U005	U006	U007	U008	U009	U010	U011	U012	U013	U014	U015	U016	U017	U018	U019
------	------	------	------	------	------	------	------	------	------	------	------	------	------	------	------	------	------	------

# U012\_S008.(D220)(-NA):FUSING UNIT:SERVICE PARTS

U012\_S008\_S002  
D1964037  
(-NA):SLEEVE:FUSING:ASS'Y



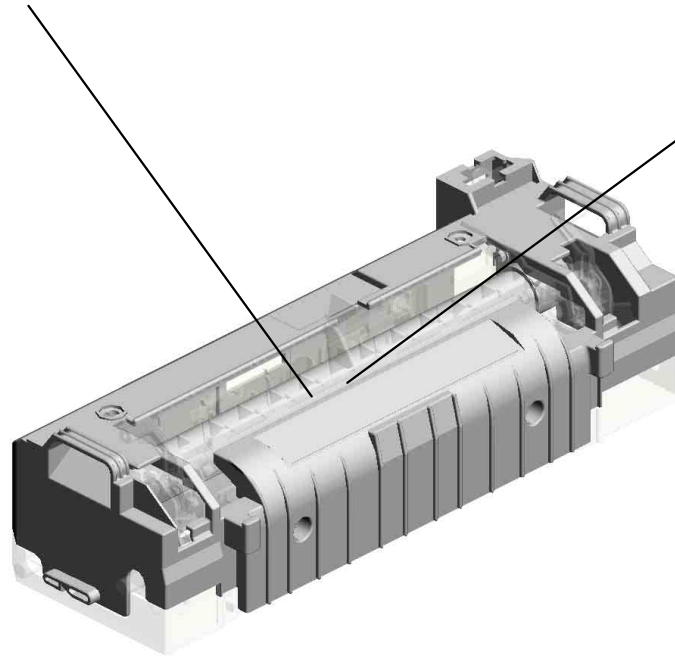
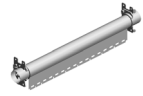
U012\_S008\_S001  
D1174261  
FUSING COVER:UPPER:ASS'  
Y



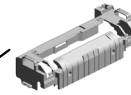
U001	U002	U003	U004	U005	U006	U007	U008	U009	U010	U011	U012	U013	U014	U015	U016	U017	U018	U019
------	------	------	------	------	------	------	------	------	------	------	------	------	------	------	------	------	------	------

# U012\_S009.(D220)(-TWN):FUSING UNIT:SERVICE PARTS

U012\_S009\_S002  
D1964039  
(-TWN):SLEEVE:FUSING:ASS  
Y



U012\_S009\_S001  
D1174261  
FUSING COVER:UPPER:ASS  
Y



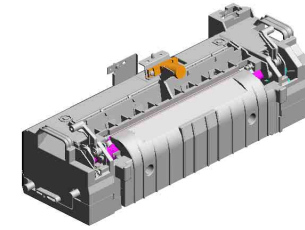
U001	U002	U003	U004	U005	U006	U007	U008	U009	U010	U011	U012	U013	U014	U015	U016	U017	U018	U019
------	------	------	------	------	------	------	------	------	------	------	------	------	------	------	------	------	------	------

# U012 FUSING

3.04543006Q (x2)  
TAPPING SCREW - M3X6

64.D1174332  
BRACKET:THERMOPILE

30.D1054365  
HOLDER:THERMOPILE



9.08046123  
HEXAGONAL BOLT :W/WASHER:M3X8



21.AW010124  
PHOTO REFLECTIVE SENSOR:GP2A200LCS0F



14.09573010N  
SCREW:SMALL ROUND/SPRING:M3X10

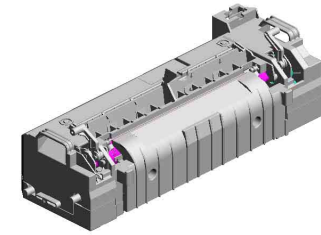


62.AW100183  
THERMOPILE  
201809-01 O/O

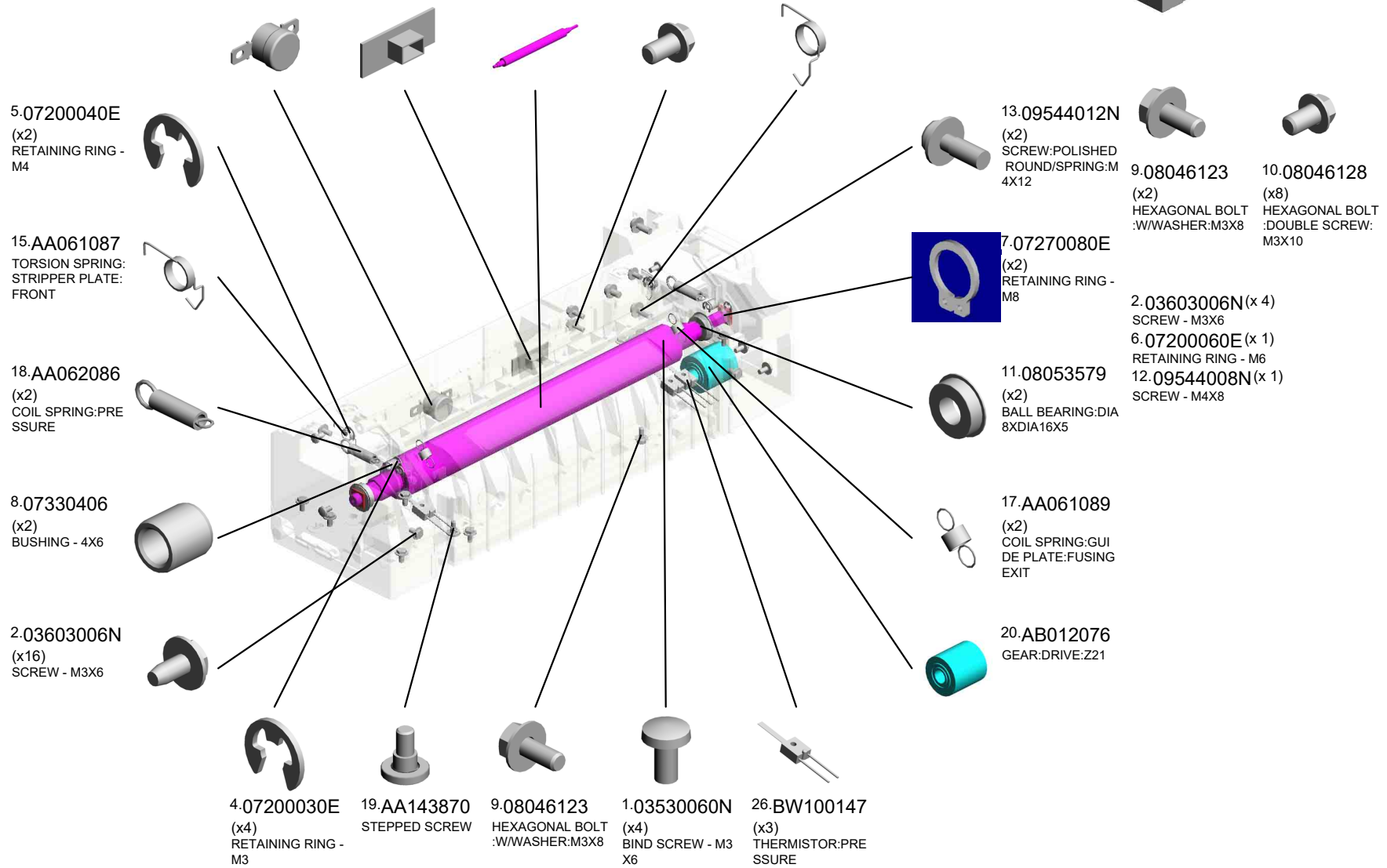
U001	U002	U003	U004	U005	U006	U007	U008	U009	U010	U011	U012	U013	U014	U015	U016	U017	U018	U019
------	------	------	------	------	------	------	------	------	------	------	------	------	------	------	------	------	------	------

U012\_S001  
(D196/D214)(-EU,-AA,-KOR,-CHN):FUSING UNIT:SERVICE PARTS

- 23.AW110101 THERMOSTAT:LOWER
- 27.BW100150 NON-CONTACT TYPE THERMISTOR
- 24.BE020204 PRESSURE ROLLER: DIA25
- 10.08046128 (x3) HEXAGONAL BOLT: DOUBLE SCREW: M3X10
- 16.AA061088 TORSION SPRING: STRIPPER PLATE: REAR



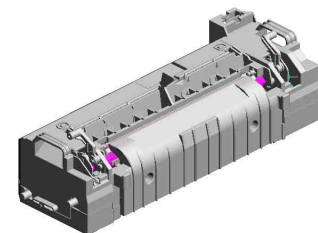
44.D1964032  
(D196/D214)(-EU,-AA,-KOR,-CHN):FUSING UNIT:SERVICE PARTS



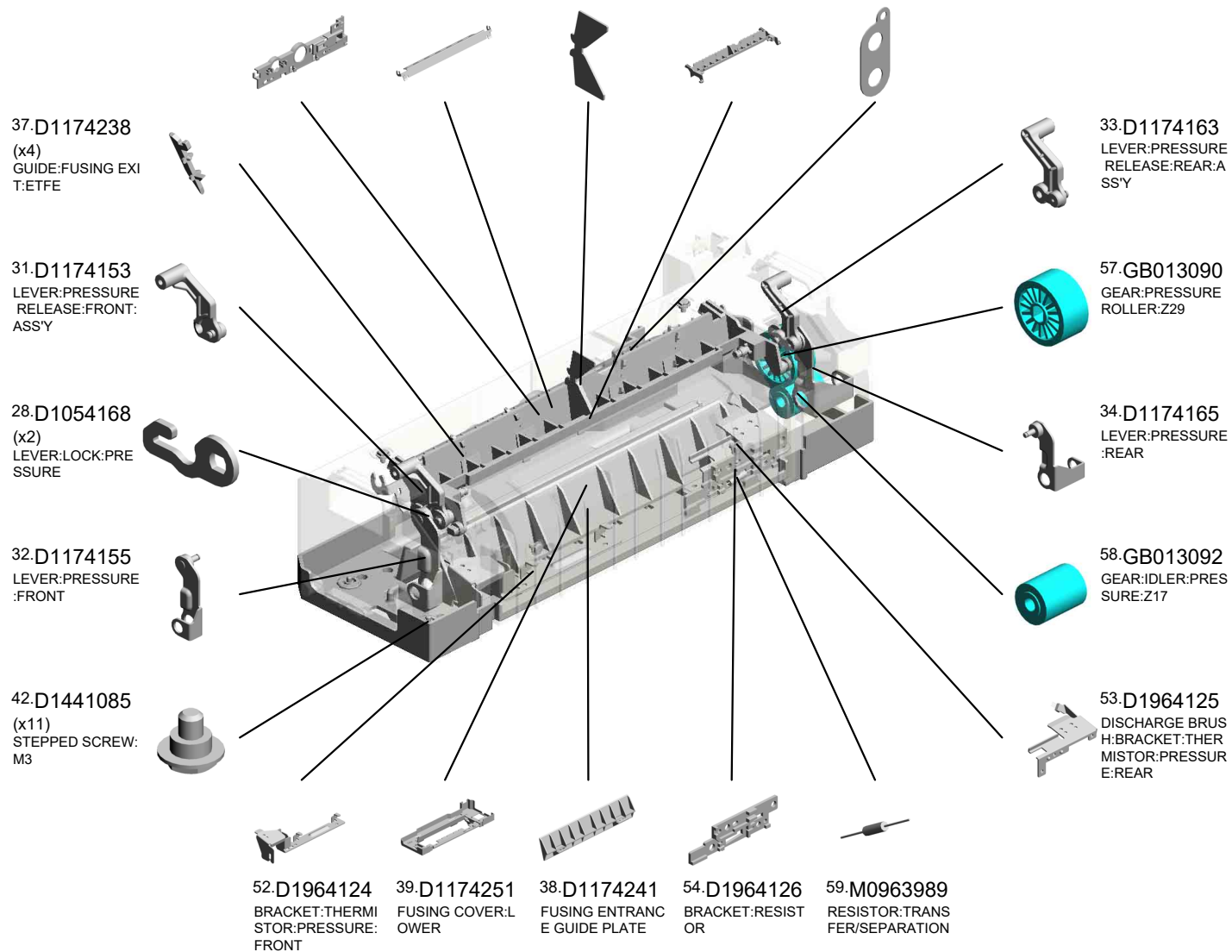
U001	U002	U003	U004	U005	U006	U007	U008	U009	U010	U011	U012	U013	U014	U015	U016	U017	U018	U019
------	------	------	------	------	------	------	------	------	------	------	------	------	------	------	------	------	------	------

U012\_S001  
 (D196/D214)(-EU,-AA,-KOR,-CHN):FUSING UNIT:SERVICE PARTS

55.D1964194 GUIDE:HARNESS:FUSING  
 56.D1964231 STRIPPER PLATE  
 36.D1174236 SHEET:C:LEVER  
 35.D1174235 GUIDE PLATE:FUSING  
 29.D1054303 ELECTRODE PLATE:FUSING:NEUTRAL



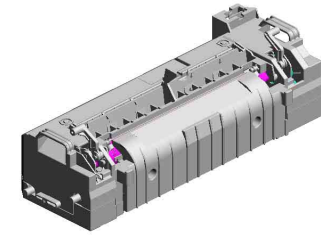
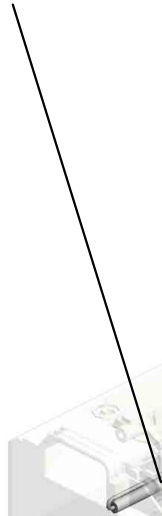
44.D1964032  
 (D196/D214)(-EU,-AA,-KOR,-CHN):FUSING UNIT:SERVICE PARTS



U001	U002	U003	U004	U005	U006	U007	U008	U009	U010	U011	U012	U013	U014	U015	U016	U017	U018	U019
------	------	------	------	------	------	------	------	------	------	------	------	------	------	------	------	------	------	------

U012\_S001  
(D196/D214)(-EU,-AA,-KOR,-CHN):FUSING UNIT:SERVICE PARTS

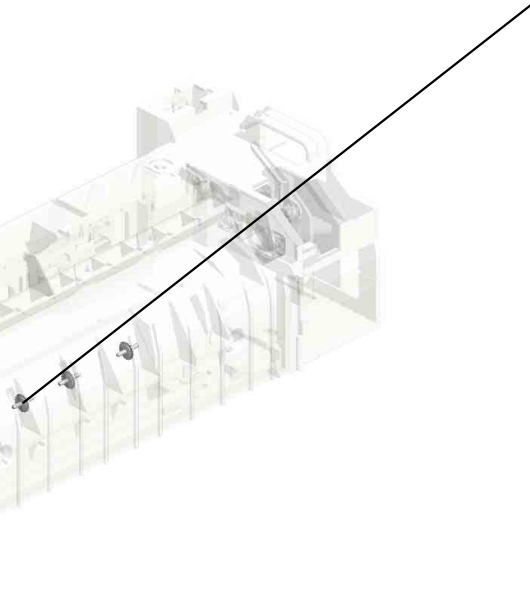
61.M0264371  
NEW UNIT DETEC  
T SENSOR  
201508-05



44.D1964032  
(D196/D214)(-EU,-A  
A,-KOR,-CHN):FUSI  
NG UNIT:SERVICE  
PARTS



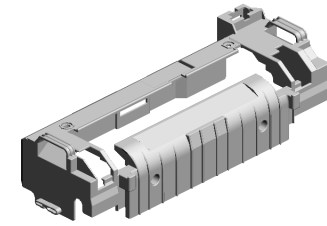
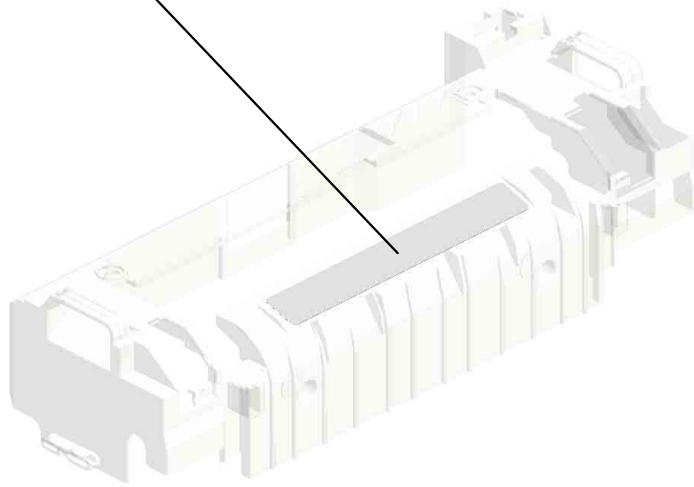
63.M0266340  
(x6)  
GUIDE:PAPER:RAI  
L:ASSY  
201903-01 O/O



U001	U002	U003	U004	U005	U006	U007	U008	U009	U010	U011	U012	U013	U014	U015	U016	U017	U018	U019
------	------	------	------	------	------	------	------	------	------	------	------	------	------	------	------	------	------	------

U012\_S001\_S001  
FUSING COVER:UPPER:ASS'Y

41.D1174263  
DECAL:H-TEMP W  
ARNING:FUSING



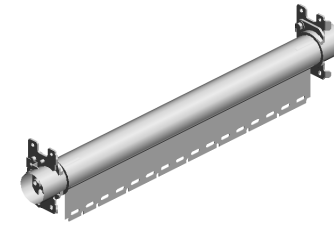
40.D1174261  
FUSING COVER:U  
PPER:ASS'Y

U001	U002	U003	U004	U005	U006	U007	U008	U009	U010	U011	U012	U013	U014	U015	U016	U017	U018	U019
------	------	------	------	------	------	------	------	------	------	------	------	------	------	------	------	------	------	------

U012\_S001\_S002  
(-EU,-AA,-KOR,-CHN):SLEEVE:FUSING:ASS'Y

10.08046128

(x4)  
HEXAGONAL BOLT  
:DOUBLE SCREW:  
M3X10



50.D1964038  
(-EU,-AA,-KOR,-CH  
N):SLEEVE:FUSIN  
G:ASS'Y



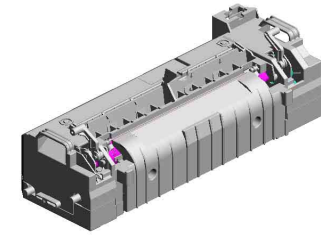
2.03603006N  
(x2)  
SCREW - M3X6



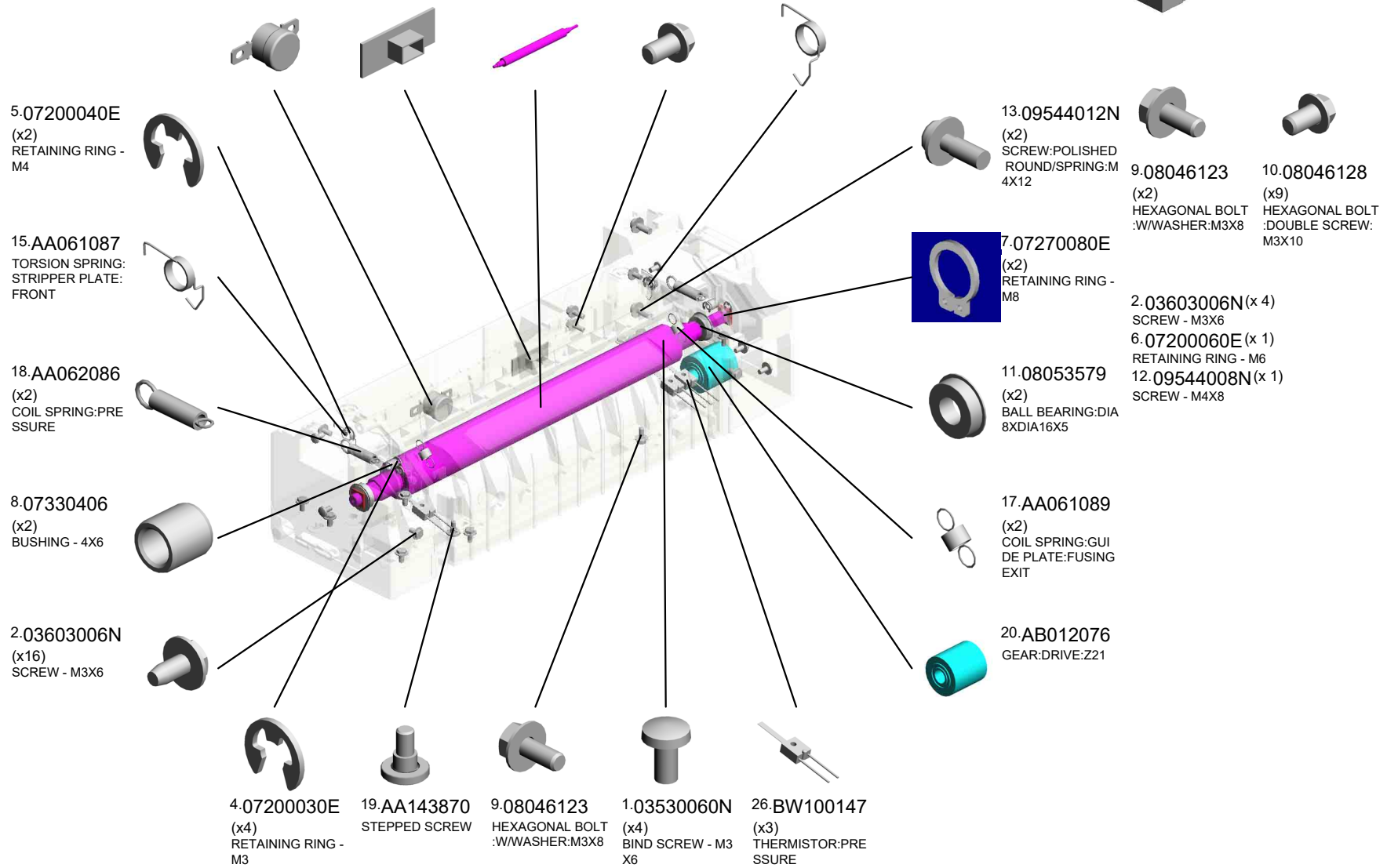
U001	U002	U003	U004	U005	U006	U007	U008	U009	U010	U011	U012	U013	U014	U015	U016	U017	U018	U019
------	------	------	------	------	------	------	------	------	------	------	------	------	------	------	------	------	------	------

U012\_S002  
(D196/D214)(-EU,-AA,-KOR,-CHN):FUSING UNIT:SERVICE PARTS

23.AW110101 THERMOSTAT:LOWER  
 27.BW100150 NON-CONTACT TYPETHERMISTOR  
 24.BE020204 PRESSURE ROLLER:DIA25  
 10.08046128 (x2) HEXAGONAL BOLT:DOUBLE SCREW:M3X10  
 16.AA061088 TORSION SPRING:STRIPPER PLATE:REAR



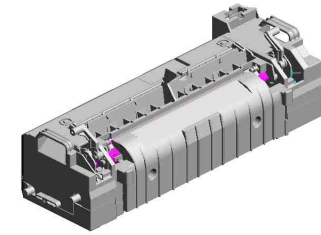
44.D1964032  
(D196/D214)(-EU,-AA,-KOR,-CHN):FUSING UNIT:SERVICE PARTS



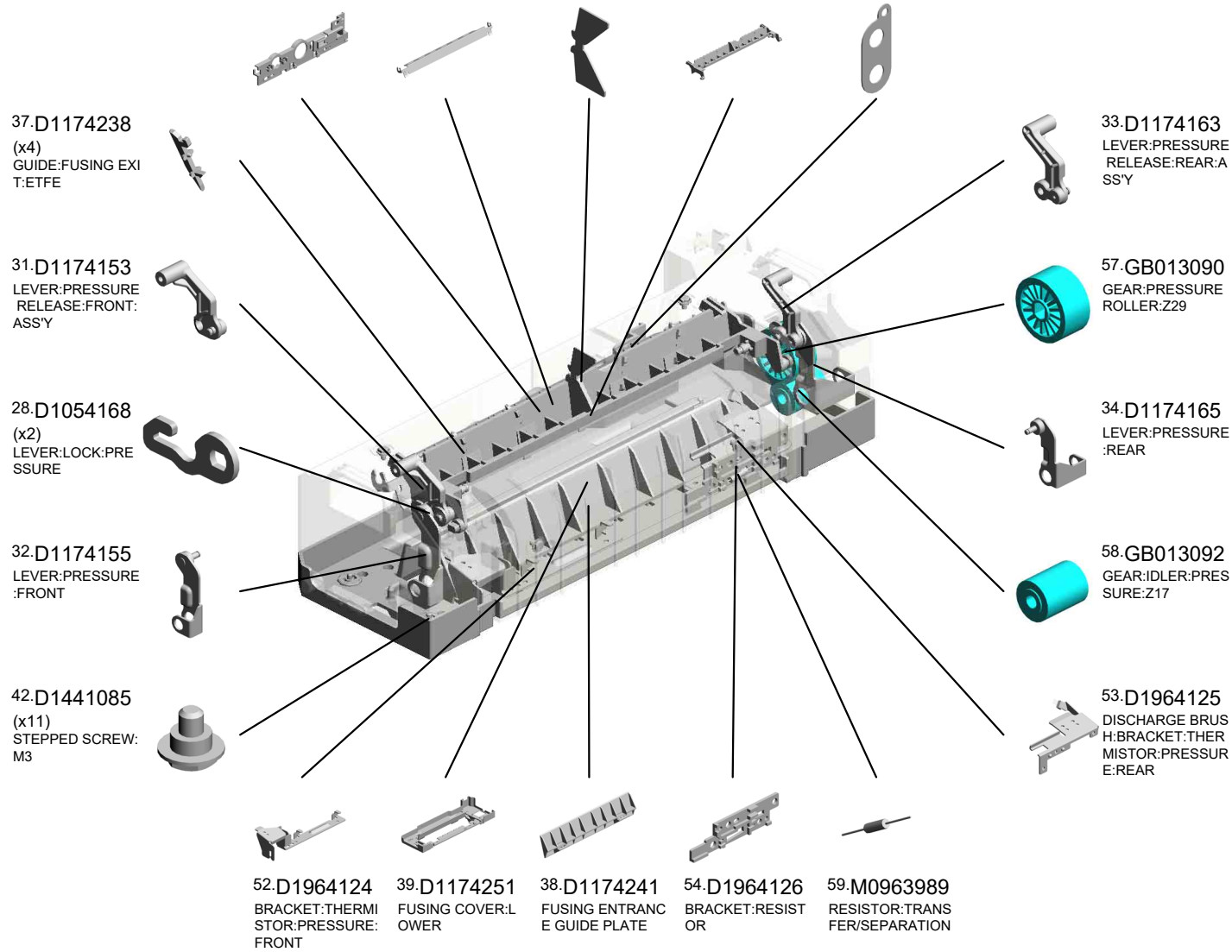
U001	U002	U003	U004	U005	U006	U007	U008	U009	U010	U011	U012	U013	U014	U015	U016	U017	U018	U019
------	------	------	------	------	------	------	------	------	------	------	------	------	------	------	------	------	------	------

U012\_S002  
 (D196/D214)(-EU,-AA,-KOR,-CHN):FUSING UNIT:SERVICE PARTS

55.D1964194 GUIDE:HARNESS:FUSING  
 56.D1964231 STRIPPER PLATE  
 36.D1174236 SHEET:C:LEVER  
 35.D1174235 GUIDE PLATE:FUSING EXIT  
 29.D1054303 ELECTRODE PLATE:FUSING:NEUTRAL



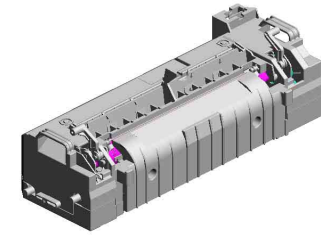
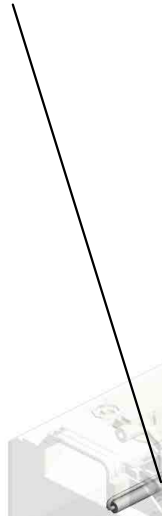
44.D1964032  
 (D196/D214)(-EU,-AA,-KOR,-CHN):FUSING UNIT:SERVICE PARTS



U001	U002	U003	U004	U005	U006	U007	U008	U009	U010	U011	U012	U013	U014	U015	U016	U017	U018	U019
------	------	------	------	------	------	------	------	------	------	------	------	------	------	------	------	------	------	------

U012\_S002  
(D196/D214)(-EU,-AA,-KOR,-CHN):FUSING UNIT:SERVICE PARTS

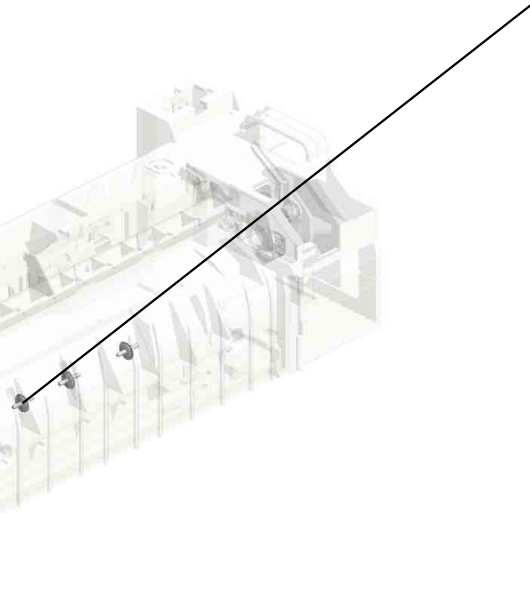
61.M0264371  
NEW UNIT DETEC  
T SENSOR  
201508-05



44.D1964032  
(D196/D214)(-EU,-A  
A,-KOR,-CHN):FUSI  
NG UNIT:SERVICE  
PARTS



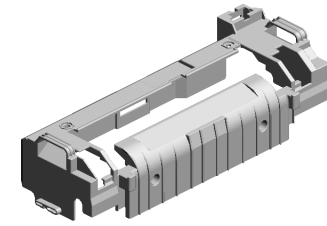
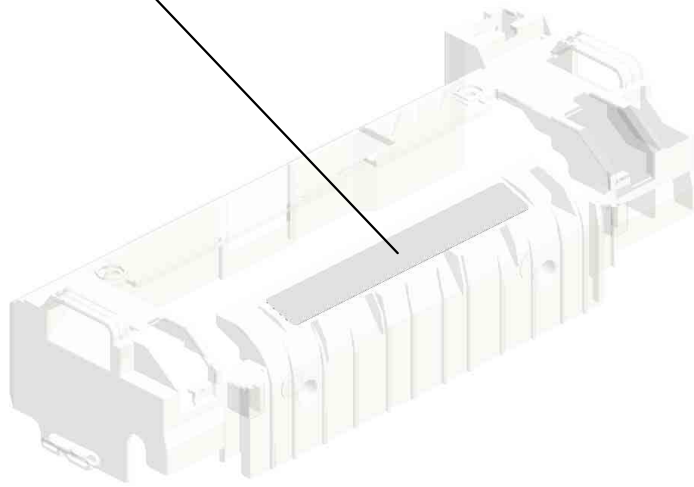
63.M0266340  
(x6)  
GUIDE:PAPER:RAI  
L:ASSY  
201903-01 O/O



U001	U002	U003	U004	U005	U006	U007	U008	U009	U010	U011	U012	U013	U014	U015	U016	U017	U018	U019
------	------	------	------	------	------	------	------	------	------	------	------	------	------	------	------	------	------	------

U012\_S002\_S001  
FUSING COVER:UPPER:ASS'Y

41.D1174263  
DECAL:H-TEMP W  
ARNING:FUSING



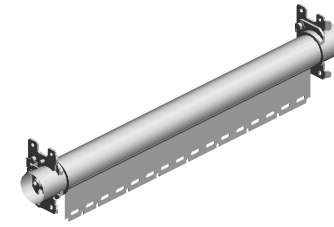
40.D1174261  
FUSING COVER:U  
PPER:ASS'Y

U001	U002	U003	U004	U005	U006	U007	U008	U009	U010	U011	U012	U013	U014	U015	U016	U017	U018	U019
------	------	------	------	------	------	------	------	------	------	------	------	------	------	------	------	------	------	------

U012\_S002\_S002  
(-EU,-AA,-KOR,-CHN):SLEEVE:FUSING:ASS'Y

10.08046128

(x4)  
HEXAGONAL BOLT  
:DOUBLE SCREW:  
M3X10



50.D1964038  
(-EU,-AA,-KOR,-CH  
N):SLEEVE:FUSIN  
G:ASS'Y

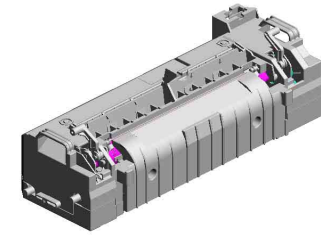


2.03603006N  
(x2)  
SCREW - M3X6

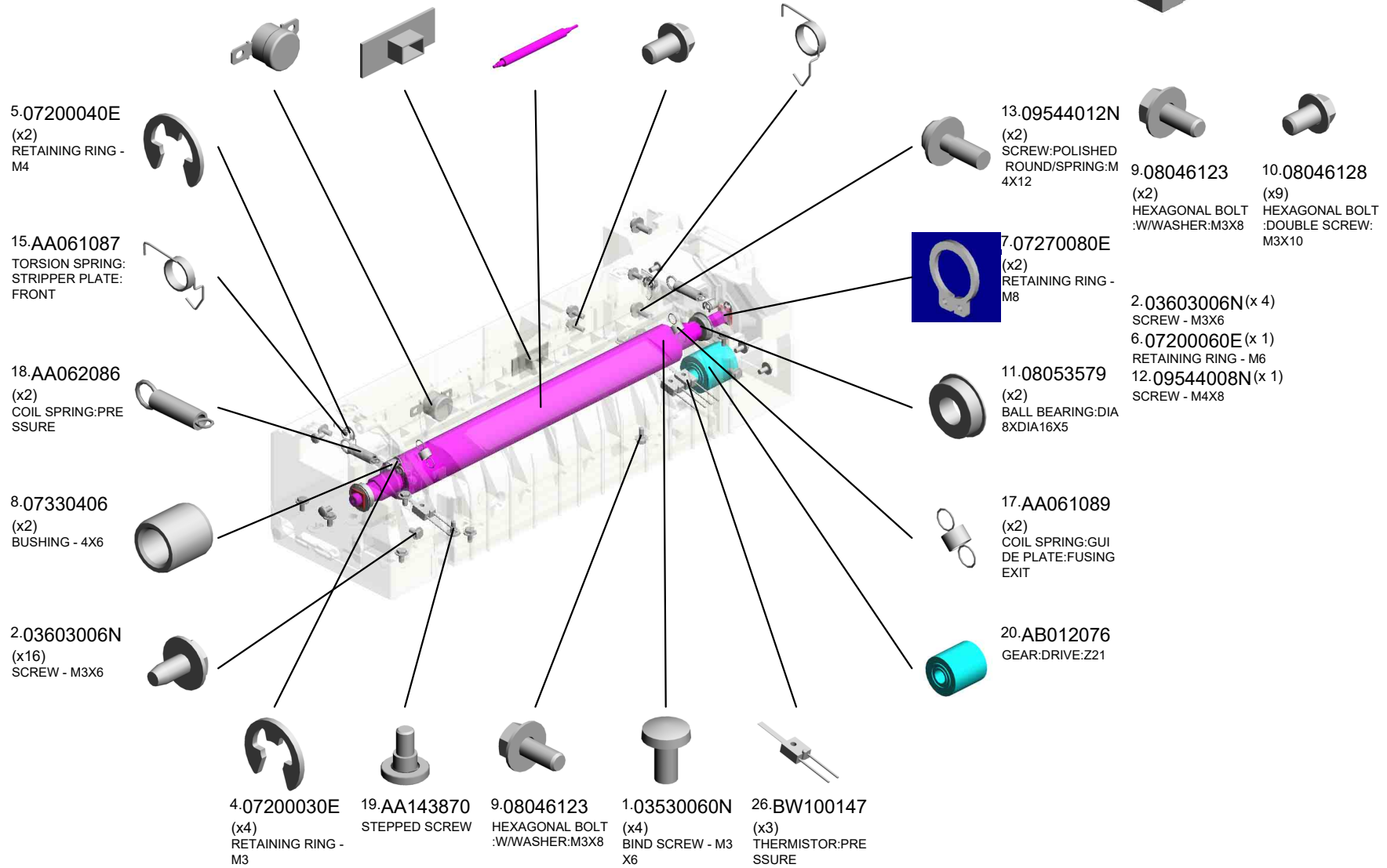
U001	U002	U003	U004	U005	U006	U007	U008	U009	U010	U011	U012	U013	U014	U015	U016	U017	U018	U019
------	------	------	------	------	------	------	------	------	------	------	------	------	------	------	------	------	------	------

U012\_S003  
(D196/D214)(-EU,-AA,-KOR,-CHN):FUSING UNIT:SERVICE PARTS

- 23.AW110101 THERMOSTAT:LOWER  
 27.BW100150 NON-CONTACT TYPETHERMISTOR  
 24.BE020204 PRESSURE ROLLER:DIA25  
 10.08046128 (x2) HEXAGONAL BOLT:DOUBLE SCREW:M3X10  
 16.AA061088 TORSION SPRING:STRIPPER PLATE:REAR



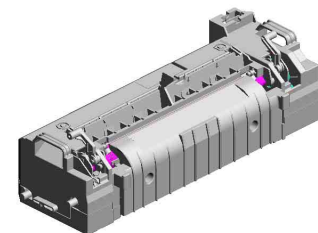
44.D1964032  
(D196/D214)(-EU,-AA,-KOR,-CHN):FUSING UNIT:SERVICE PARTS



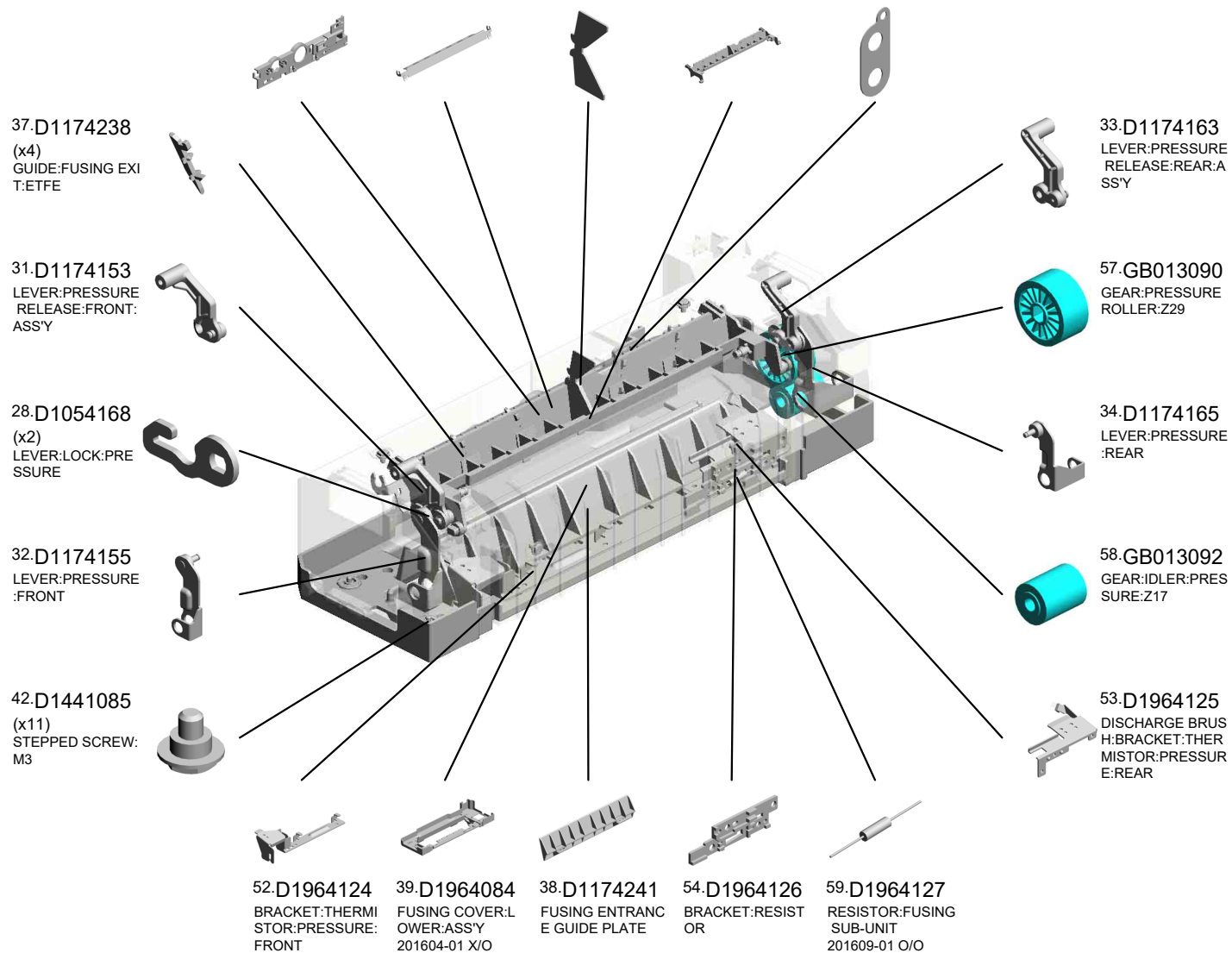
U001	U002	U003	U004	U005	U006	U007	U008	U009	U010	U011	U012	U013	U014	U015	U016	U017	U018	U019
------	------	------	------	------	------	------	------	------	------	------	------	------	------	------	------	------	------	------

U012\_S003  
 (D196/D214)(-EU,-AA,-KOR,-CHN):FUSING UNIT:SERVICE PARTS

55.D1964194 GUIDE:HARNESS:FUSING  
 56.D1964231 STRIPPER PLATE  
 36.D1174236 SHEET:C:LEVER  
 35.D1174235 GUIDE PLATE:FUSING EXIT  
 29.D1054303 ELECTRODE PLATE:FUSING:NEUTRAL

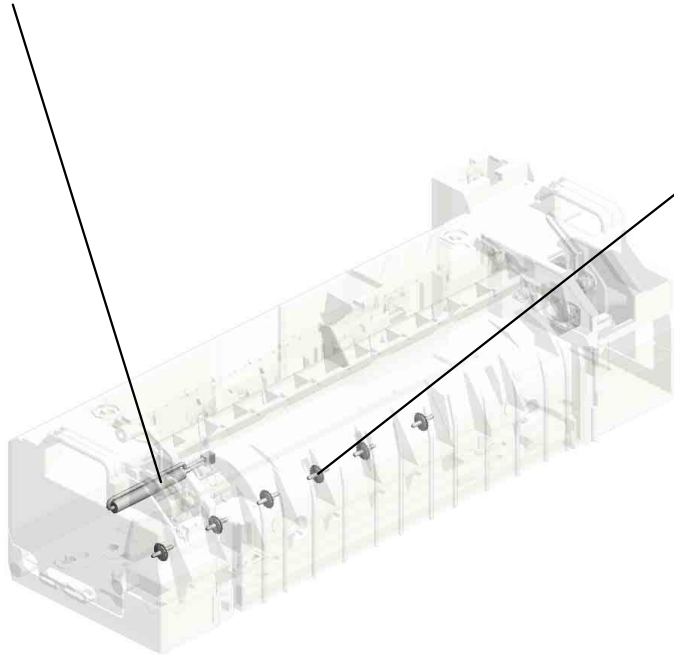


44.D1964032  
 (D196/D214)(-EU,-AA,-KOR,-CHN):FUSING UNIT:SERVICE PARTS

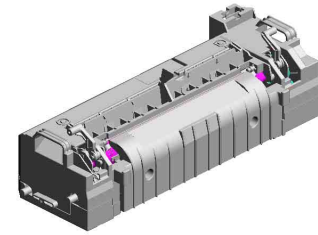


U012\_S003  
(D196/D214)(-EU,-AA,-KOR,-CHN):FUSING UNIT:SERVICE PARTS

61.M0264371  
NEW UNIT DETEC  
T SENSOR  
201508-05



63.M0266340  
(x6)  
GUIDE:PAPER:RAI  
L:ASSY  
201903-01 O/O

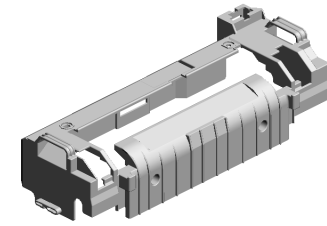
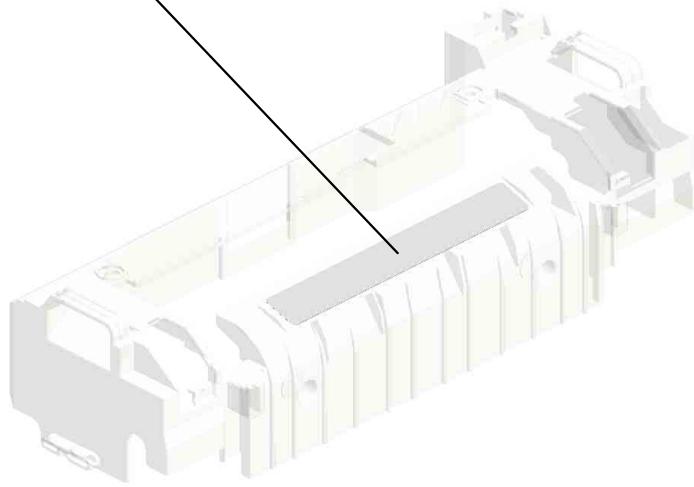


44.D1964032  
(D196/D214)(-EU,-A  
A,-KOR,-CHN):FUSI  
NG UNIT:SERVICE  
PARTS

U001	U002	U003	U004	U005	U006	U007	U008	U009	U010	U011	U012	U013	U014	U015	U016	U017	U018	U019
------	------	------	------	------	------	------	------	------	------	------	------	------	------	------	------	------	------	------

U012\_S003\_S001  
FUSING COVER:UPPER:ASS'Y

41.D1174263  
DECAL:H-TEMP W  
ARNING:FUSING



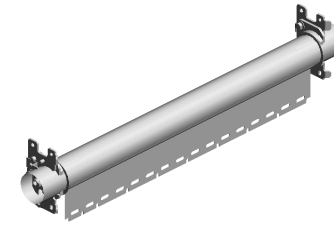
40.D1174261  
FUSING COVER:U  
PPER:ASS'Y

U001	U002	U003	U004	U005	U006	U007	U008	U009	U010	U011	U012	U013	U014	U015	U016	U017	U018	U019
------	------	------	------	------	------	------	------	------	------	------	------	------	------	------	------	------	------	------

U012\_S003\_S002  
(-EU,-AA,-KOR,-CHN):SLEEVE:FUSING:ASS'Y

10.08046128

(x4)  
HEXAGONAL BOLT  
:DOUBLE SCREW:  
M3X10



50.D1964038  
(-EU,-AA,-KOR,-CH  
N):SLEEVE:FUSIN  
G:ASS'Y

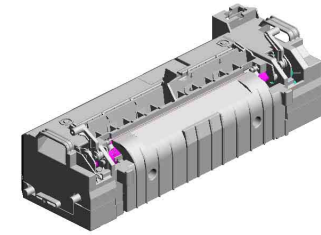


2.03603006N  
(x2)  
SCREW - M3X6

U001	U002	U003	U004	U005	U006	U007	U008	U009	U010	U011	U012	U013	U014	U015	U016	U017	U018	U019
------	------	------	------	------	------	------	------	------	------	------	------	------	------	------	------	------	------	------

U012\_S004  
(D196)(-NA):FUSING UNIT:SERVICE PARTS

- 23.AW110101 THERMOSTAT:LOWER  
 27.BW100150 NON-CONTACT TYPE THERMISTOR  
 24.BE020204 PRESSURE ROLLER: DIA25  
 10.08046128 (x2) HEXAGONAL BOLT: DOUBLE SCREW: M3X10  
 16.AA061088 TORSION SPRING: STRIPPER PLATE: REAR



43.D1964031  
(D196)(-NA):FUSING UNIT:SERVICE PARTS

5.07200040E  
(x2)  
RETAINING RING - M4



15.AA061087  
TORSION SPRING: STRIPPER PLATE: FRONT



18.AA062086  
(x2)  
COIL SPRING: PRESSURE



8.07330406  
(x2)  
BUSHING - 4X6



2.03603006N  
(x16)  
SCREW - M3X6



4.07200030E  
(x4)  
RETAINING RING - M3



19.AA143870  
STEPPED SCREW



9.08046123  
HEXAGONAL BOLT: W/WASHER: M3X8



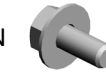
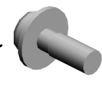
1.03530060N  
(x4)  
BIND SCREW - M3 X6



26.BW100147  
(x3)  
THERMISTOR: PRESSURE



13.09544012N  
(x2)  
SCREW: POLISHED ROUND/SPRING: M4X12

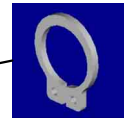


9.08046123  
(x2)  
HEXAGONAL BOLT: W/WASHER: M3X8



10.08046128  
(x9)  
HEXAGONAL BOLT: DOUBLE SCREW: M3X10

7.07270080E  
(x2)  
RETAINING RING - M8



2.03603006N (x 4)  
SCREW - M3X6

6.07200060E (x 1)  
RETAINING RING - M6

12.09544008N (x 1)  
SCREW - M4X8

11.08053579  
(x2)  
BALL BEARING: DIA 8X DIA16X5



17.AA061089  
(x2)  
COIL SPRING: GUIDE PLATE: FUSING EXIT

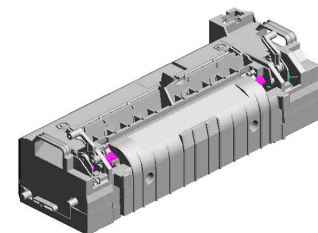


20.AB012076  
GEAR: DRIVE: Z21

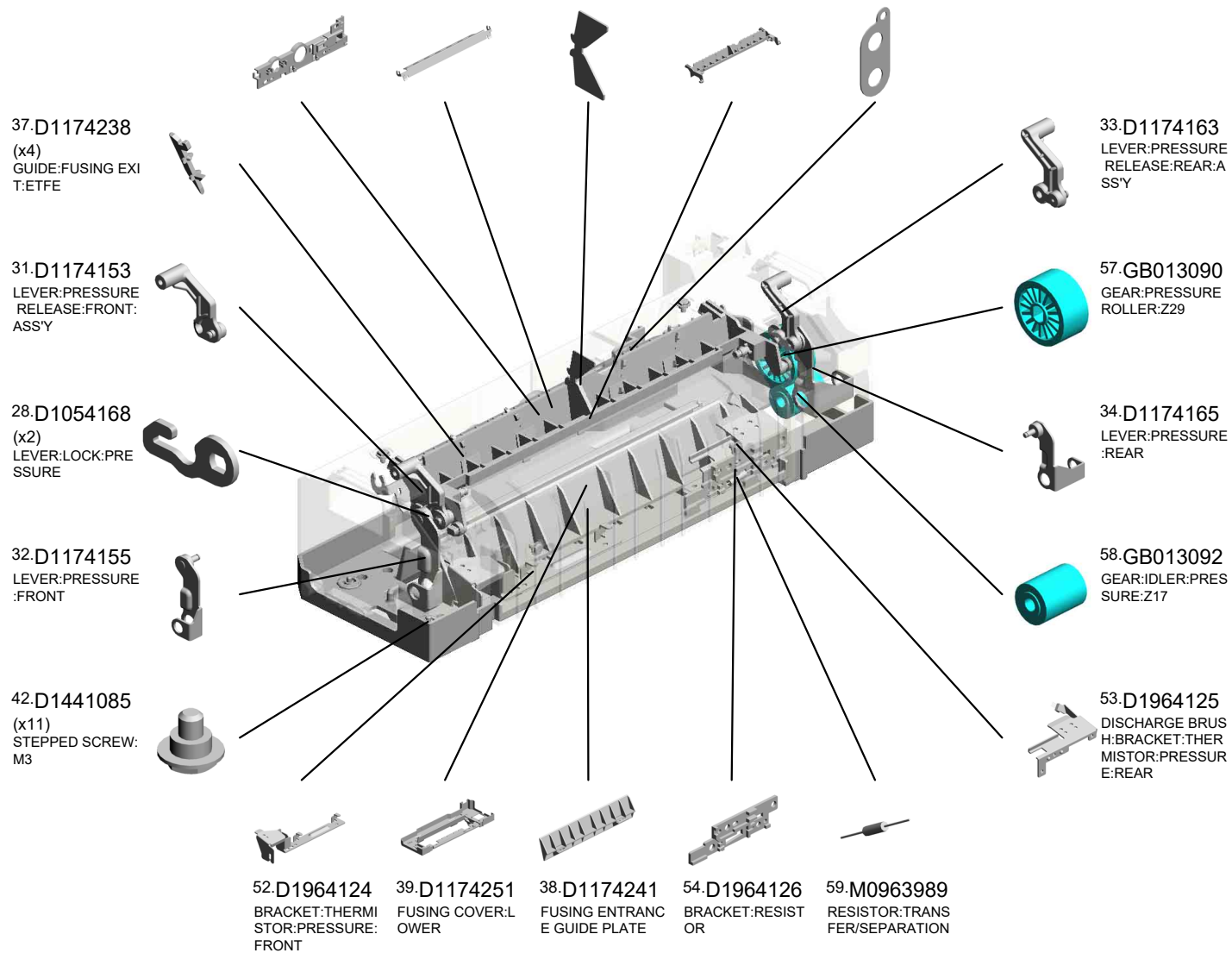


U012\_S004  
(D196)(-NA):FUSING UNIT:SERVICE PARTS

55.D1964194 GUIDE:HARNESS:FUSING  
56.D1964231 STRIPPER PLATE  
36.D1174236 SHEET:C:LEVER  
35.D1174235 GUIDE PLATE:FUSING  
EXIT  
29.D1054303 ELECTRODE PLATE:FUSING:NEUTRAL

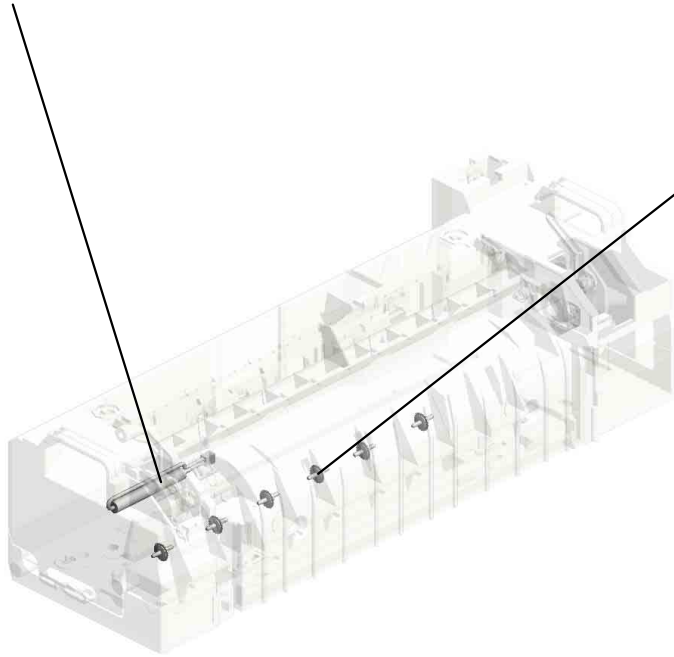


43.D1964031 (D196)(-NA):FUSING UNIT:SERVICE PARTS

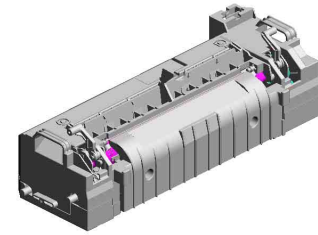


U012\_S004  
(D196)(-NA):FUSING UNIT:SERVICE PARTS

61.M0264371  
NEW UNIT DETEC  
T SENSOR  
201508-05



63.M0266340  
(x6)  
GUIDE:PAPER:RAI  
L:ASSY  
201903-01 O/O

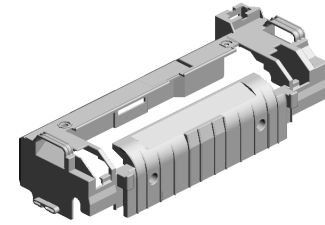
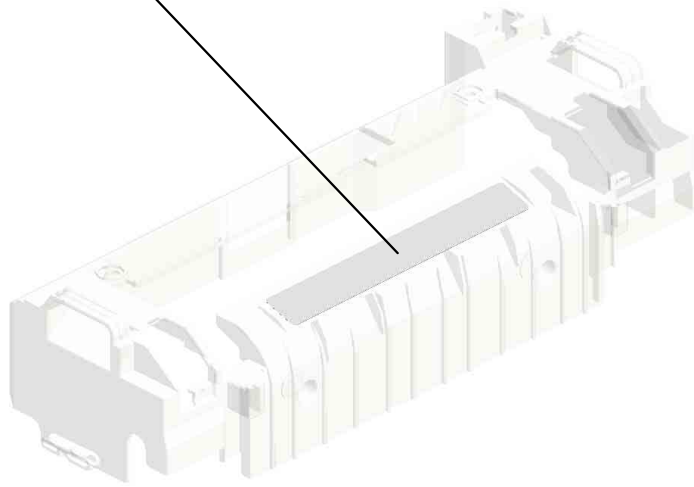


43.D1964031  
(D196)(-NA):FUSIN  
G UNIT:SERVICE P  
ARTS

U001	U002	U003	U004	U005	U006	U007	U008	U009	U010	U011	U012	U013	U014	U015	U016	U017	U018	U019
------	------	------	------	------	------	------	------	------	------	------	------	------	------	------	------	------	------	------

U012\_S004\_S001  
FUSING COVER:UPPER:ASS'Y

41.D1174263  
DECAL:H-TEMP W  
ARNING:FUSING

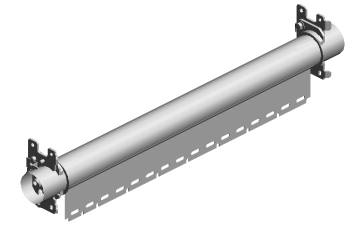


40.D1174261  
FUSING COVER:U  
PPER:ASS'Y

U001	U002	U003	U004	U005	U006	U007	U008	U009	U010	U011	U012	U013	U014	U015	U016	U017	U018	U019
------	------	------	------	------	------	------	------	------	------	------	------	------	------	------	------	------	------	------

U012\_S004\_S002  
(-NA):SLEEVE:FUSING:ASS'Y

10.08046128  
(x4)  
HEXAGONAL BOLT  
:DOUBLE SCREW:  
M3X10



49.D1964037  
(-NA):SLEEVE:FUSI  
NG:ASS'Y

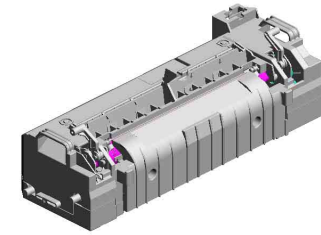


2.03603006N  
(x2)  
SCREW - M3X6

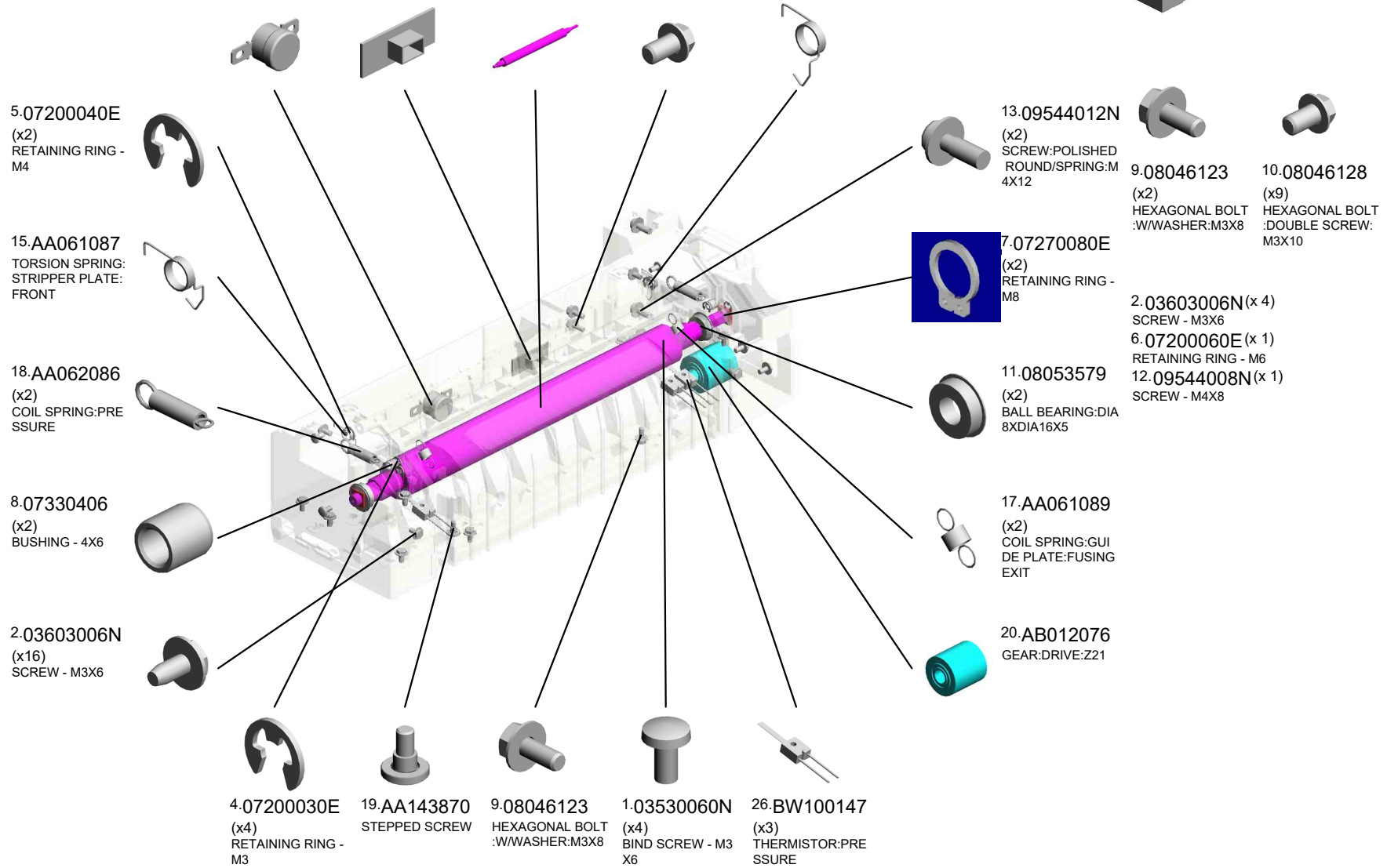
U001	U002	U003	U004	U005	U006	U007	U008	U009	U010	U011	U012	U013	U014	U015	U016	U017	U018	U019
------	------	------	------	------	------	------	------	------	------	------	------	------	------	------	------	------	------	------

# U012\_S005 (D236)(-TWN):FUSING UNIT:SERVICE PARTS

- 23.AW110101 THERMOSTAT:LOWER
- 27.BW100150 NON-CONTACT TYPE THERMISTOR
- 24.BE020204 PRESSURE ROLLER: DIA25
- 10.08046128 (x2) HEXAGONAL BOLT: DOUBLE SCREW: M3X10
- 16.AA061088 TORSION SPRING: STRIPPER PLATE: REAR



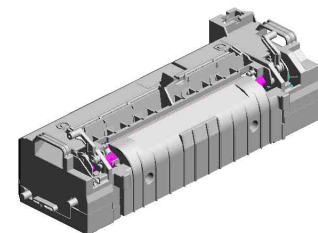
45.D1964033  
(D236)(-TWN):FUSING UNIT:SERVICE PARTS



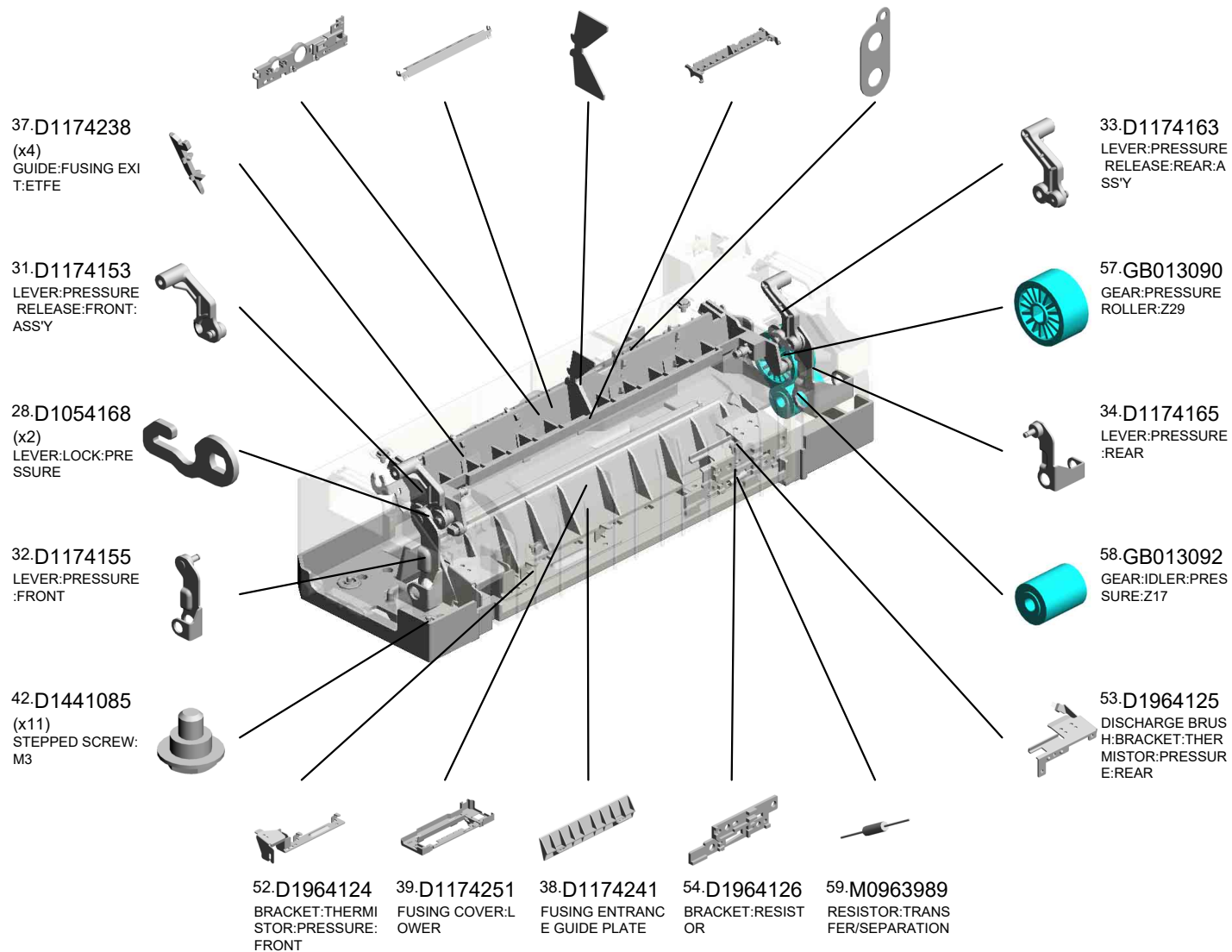
U001	U002	U003	U004	U005	U006	U007	U008	U009	U010	U011	U012	U013	U014	U015	U016	U017	U018	U019
------	------	------	------	------	------	------	------	------	------	------	------	------	------	------	------	------	------	------

# U012\_S005 (D236)(-TWN):FUSING UNIT:SERVICE PARTS

55.D1964194 GUIDE:HARNESS:FUSING  
56.D1964231 STRIPPER PLATE  
36.D1174236 SHEET:C:LEVER  
35.D1174235 GUIDE PLATE:FUSING  
EXIT  
29.D1054303 ELECTRODE PLATE:FUSING:NEUTRAL



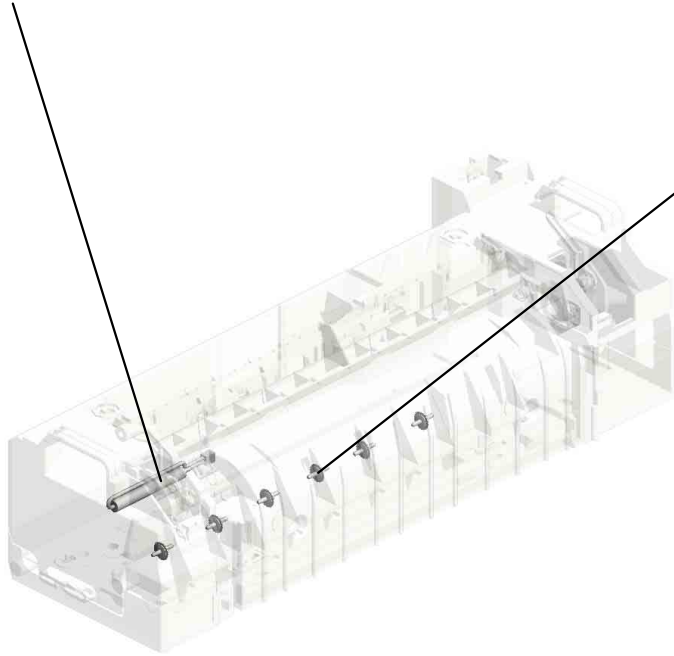
45.D1964033 (D236)(-TWN):FUSING UNIT:SERVICE PARTS



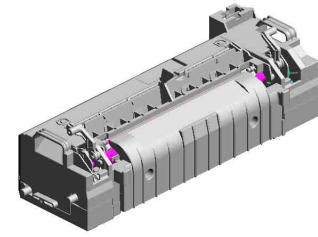
U001	U002	U003	U004	U005	U006	U007	U008	U009	U010	U011	U012	U013	U014	U015	U016	U017	U018	U019
------	------	------	------	------	------	------	------	------	------	------	------	------	------	------	------	------	------	------

U012\_S005  
(D236)(-TWN):FUSING UNIT:SERVICE PARTS

61.M0264371  
NEW UNIT DETEC  
T SENSOR  
201508-05



63.M0266340  
(x6)  
GUIDE:PAPER:RAI  
L:ASSY  
201903-01 O/O

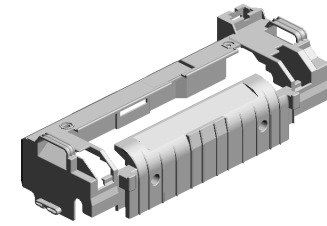
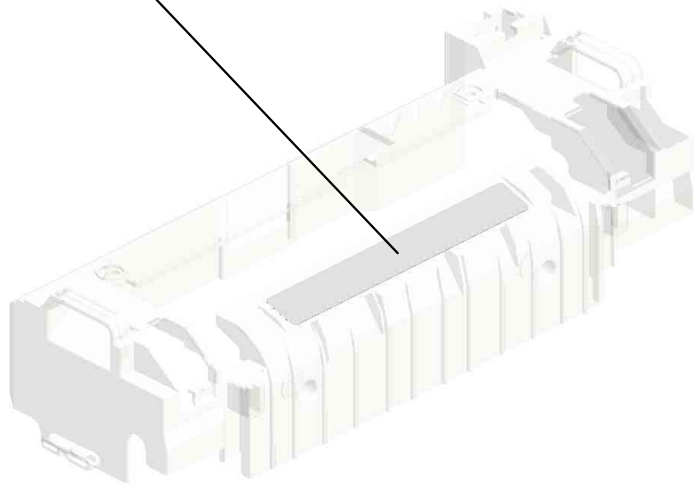


45.D1964033  
(D236)(-TWN):FUSI  
NG UNIT:SERVICE  
PARTS

U001	U002	U003	U004	U005	U006	U007	U008	U009	U010	U011	U012	U013	U014	U015	U016	U017	U018	U019
------	------	------	------	------	------	------	------	------	------	------	------	------	------	------	------	------	------	------

U012\_S005\_S001  
FUSING COVER:UPPER:ASS'Y

41.D1174263  
DECAL:H-TEMP W  
ARNING:FUSING



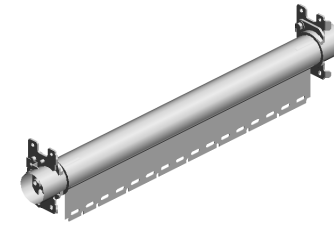
40.D1174261  
FUSING COVER:U  
PPER:ASS'Y

U001	U002	U003	U004	U005	U006	U007	U008	U009	U010	U011	U012	U013	U014	U015	U016	U017	U018	U019
------	------	------	------	------	------	------	------	------	------	------	------	------	------	------	------	------	------	------

U012\_S005\_S002  
(-TWN):SLEEVE:FUSING:ASS'Y

10.08046128

(x4)  
HEXAGONAL BOLT  
:DOUBLE SCREW:  
M3X10



51.D1964039  
(-TWN):SLEEVE:FU  
SING:ASS'Y



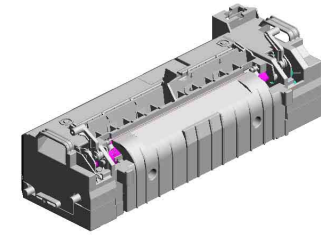
2.03603006N  
(x2)  
SCREW - M3X6



U001	U002	U003	U004	U005	U006	U007	U008	U009	U010	U011	U012	U013	U014	U015	U016	U017	U018	U019
------	------	------	------	------	------	------	------	------	------	------	------	------	------	------	------	------	------	------

U012\_S006  
(D219/D220)(-EU,-AA):FUSING UNIT:SERVICE PARTS

- 23.AW110101 THERMOSTAT:LOWER
- 27.BW100150 NON-CONTACT TYPE THERMISTOR
- 25.BE020304 PRESSURE ROLLER: DIA25
- 10.08046128 (x2) HEXAGONAL BOLT: DOUBLE SCREW: M3X10
- 16.AA061088 TORSION SPRING: STRIPPER PLATE: REAR



47.D1964035  
(D219/D220)(-EU,-AA):FUSING UNIT:SERVICE PARTS

5.07200040E  
(x2)  
RETAINING RING - M4

15.AA061087  
TORSION SPRING: STRIPPER PLATE: FRONT

18.AA062086  
(x2)  
COIL SPRING: PRESSURE

8.07330406  
(x2)  
BUSHING - 4X6

2.03603006N  
(x16)  
SCREW - M3X6

4.07200030E  
(x4)  
RETAINING RING - M3

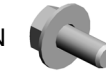
19.AA143870  
STEPPED SCREW

9.08046123  
HEXAGONAL BOLT: W/WASHER: M3X8

1.03530060N  
(x4)  
BIND SCREW - M3 X6

26.BW100147  
(x3)  
THERMISTOR: PRESSURE

13.09544012N  
(x2)  
SCREW: POLISHED ROUND/SPRING: M4X12

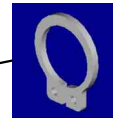


9.08046123  
(x2)  
HEXAGONAL BOLT: W/WASHER: M3X8



10.08046128  
(x9)  
HEXAGONAL BOLT: DOUBLE SCREW: M3X10

7.07270080E  
(x2)  
RETAINING RING - M8



2.03603006N (x 4)  
SCREW - M3X6

6.07200060E (x 1)  
RETAINING RING - M6

12.09544008N (x 1)  
SCREW - M4X8

11.08053579  
(x2)  
BALL BEARING: DIA 8X DIA16X5



17.AA061089  
(x2)  
COIL SPRING: GUIDE PLATE: FUSING EXIT

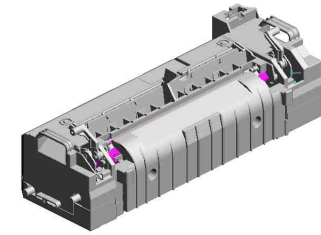


20.AB012076  
GEAR: DRIVE: Z21

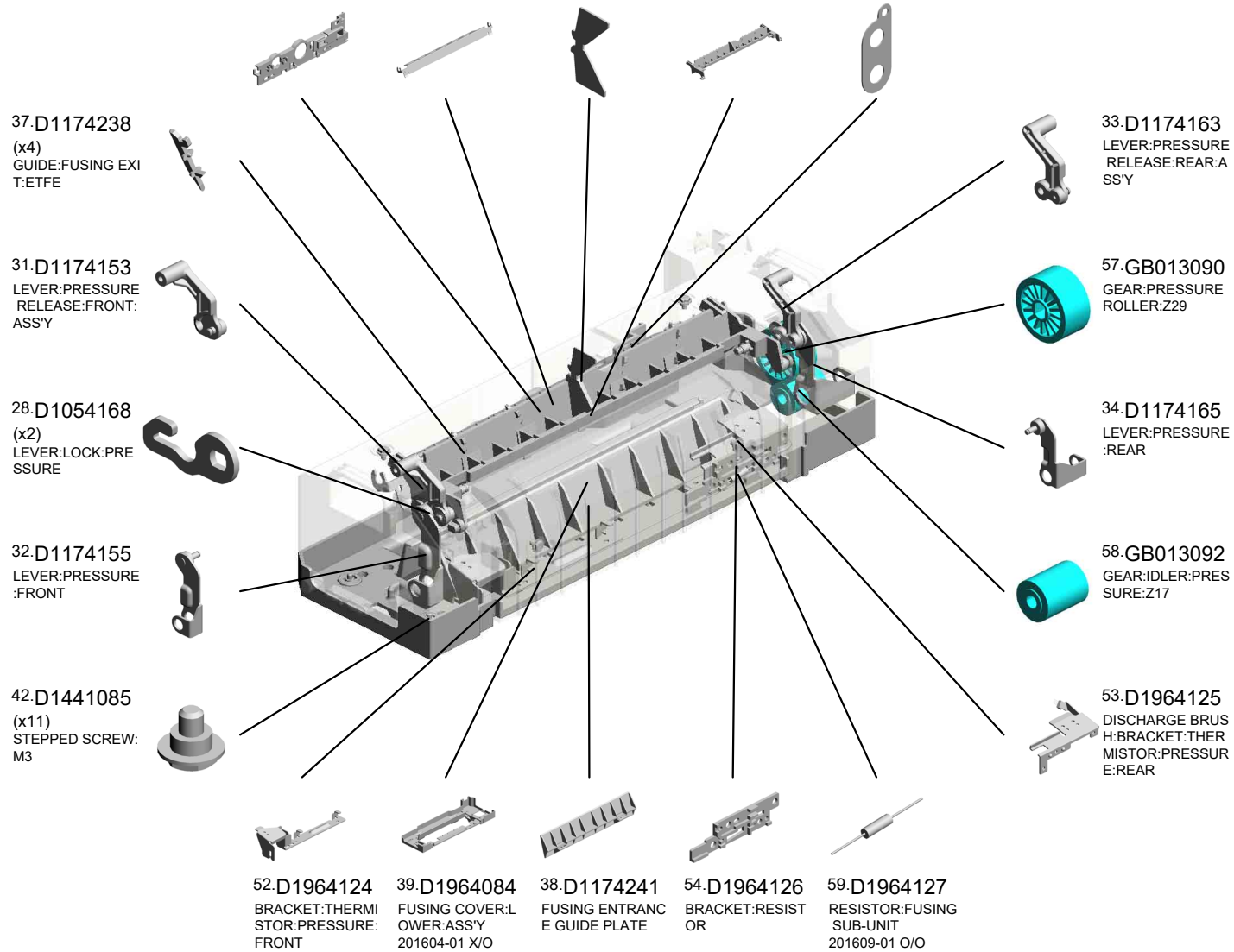


U012\_S006  
(D219/D220)(-EU,-AA):FUSING UNIT:SERVICE PARTS

55.D1964194 GUIDE:HARNESS:FUSING  
56.D1964231 STRIPPER PLATE  
36.D1174236 SHEET:C:LEVER  
35.D1174235 GUIDE PLATE:FUSING  
EXIT  
29.D1054303 ELECTRODE PLATE:FUSING:NEUTRAL

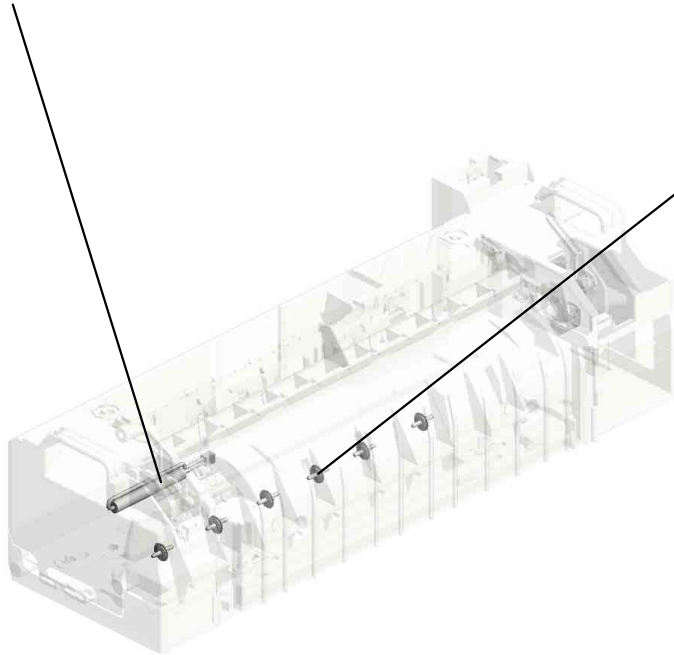


47.D1964035  
(D219/D220)(-EU,-AA):FUSING UNIT:SERVICE PARTS

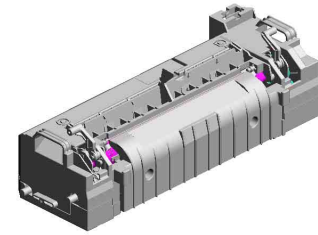


U012\_S006  
(D219/D220)(-EU,-AA):FUSING UNIT:SERVICE PARTS

61.M0264371  
NEW UNIT DETEC  
T SENSOR  
201508-05



63.M0266340  
(x6)  
GUIDE:PAPER:RAI  
L:ASSY  
201903-01 O/O

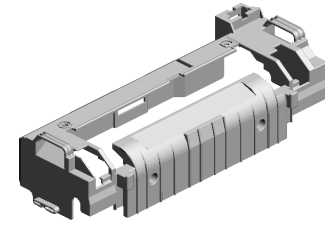
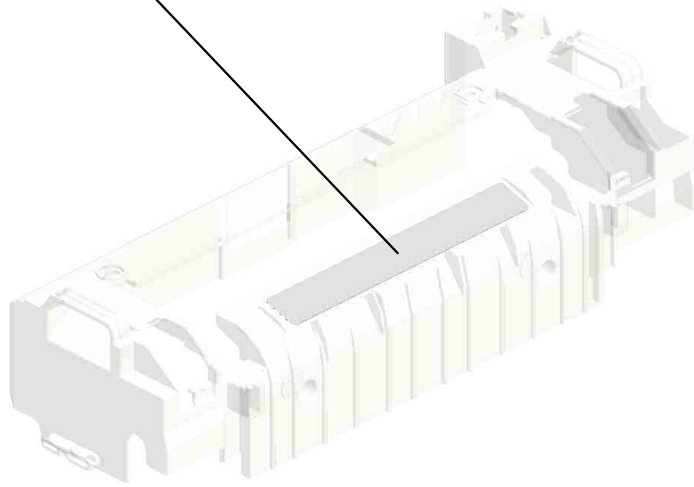


47.D1964035  
(D219/D220)(-EU,-A  
A):FUSING UNIT:S  
ERVICE PARTS

U001	U002	U003	U004	U005	U006	U007	U008	U009	U010	U011	U012	U013	U014	U015	U016	U017	U018	U019
------	------	------	------	------	------	------	------	------	------	------	------	------	------	------	------	------	------	------

U012\_S006\_S001  
FUSING COVER:UPPER:ASS'Y

41.D1174263  
DECAL:H-TEMP W  
ARNING:FUSING



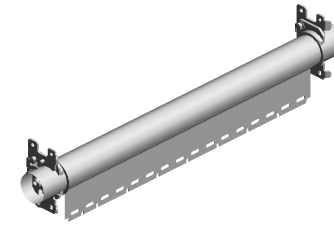
40.D1174261  
FUSING COVER:U  
PPER:ASS'Y

U001	U002	U003	U004	U005	U006	U007	U008	U009	U010	U011	U012	U013	U014	U015	U016	U017	U018	U019
------	------	------	------	------	------	------	------	------	------	------	------	------	------	------	------	------	------	------

U012\_S006\_S002  
(-EU,-AA,-KOR,-CHN):SLEEVE:FUSING:ASS'Y

10.08046128

(x4)  
HEXAGONAL BOLT  
:DOUBLE SCREW:  
M3X10



50.D1964038  
(-EU,-AA,-KOR,-CH  
N):SLEEVE:FUSIN  
G:ASS'Y

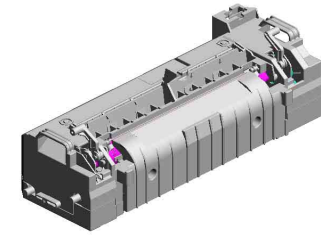


2.03603006N  
(x2)  
SCREW - M3X6

U001	U002	U003	U004	U005	U006	U007	U008	U009	U010	U011	U012	U013	U014	U015	U016	U017	U018	U019
------	------	------	------	------	------	------	------	------	------	------	------	------	------	------	------	------	------	------

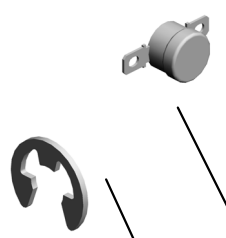
U012\_S007  
(D219/D220)(-EU,-AA):FUSING UNIT:SERVICE PARTS

- 23.AW110101 THERMOSTAT:LOWER
- 27.BW100150 NON-CONTACT TYPE THERMISTOR
- 25.BE020304 PRESSURE ROLLER: DIA25
- 10.08046128 (x2) HEXAGONAL BOLT: DOUBLE SCREW: M3X10
- 16.AA061088 TORSION SPRING: STRIPPER PLATE: REAR



47.D1964035  
(D219/D220)(-EU,-AA):FUSING UNIT:SERVICE PARTS

5.07200040E  
(x2)  
RETAINING RING - M4



15.AA061087  
TORSION SPRING: STRIPPER PLATE: FRONT



18.AA062086  
(x2)  
COIL SPRING: PRESSURE



8.07330406  
(x2)  
BUSHING - 4X6



2.03603006N  
(x16)  
SCREW - M3X6



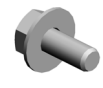
4.07200030E  
(x4)  
RETAINING RING - M3



19.AA143870  
STEPPED SCREW



9.08046123  
HEXAGONAL BOLT: W/WASHER: M3X8



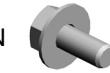
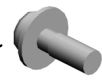
1.03530060N  
(x4)  
BIND SCREW - M3 X6



26.BW100147  
(x3)  
THERMISTOR: PRESSURE



13.09544012N  
(x2)  
SCREW: POLISHED ROUND/SPRING: M4X12

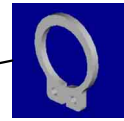


9.08046123  
(x2)  
HEXAGONAL BOLT: W/WASHER: M3X8



10.08046128  
(x9)  
HEXAGONAL BOLT: DOUBLE SCREW: M3X10

7.07270080E  
(x2)  
RETAINING RING - M8



2.03603006N (x 4)  
SCREW - M3X6

6.07200060E (x 1)  
RETAINING RING - M6

12.09544008N (x 1)  
SCREW - M4X8

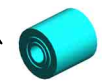
11.08053579  
(x2)  
BALL BEARING: DIA 8X DIA16X5



17.AA061089  
(x2)  
COIL SPRING: GUIDE PLATE: FUSING EXIT

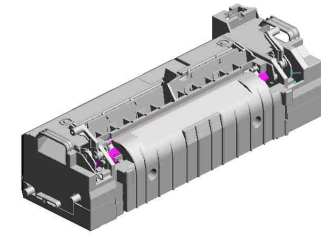


20.AB012076  
GEAR: DRIVE: Z21

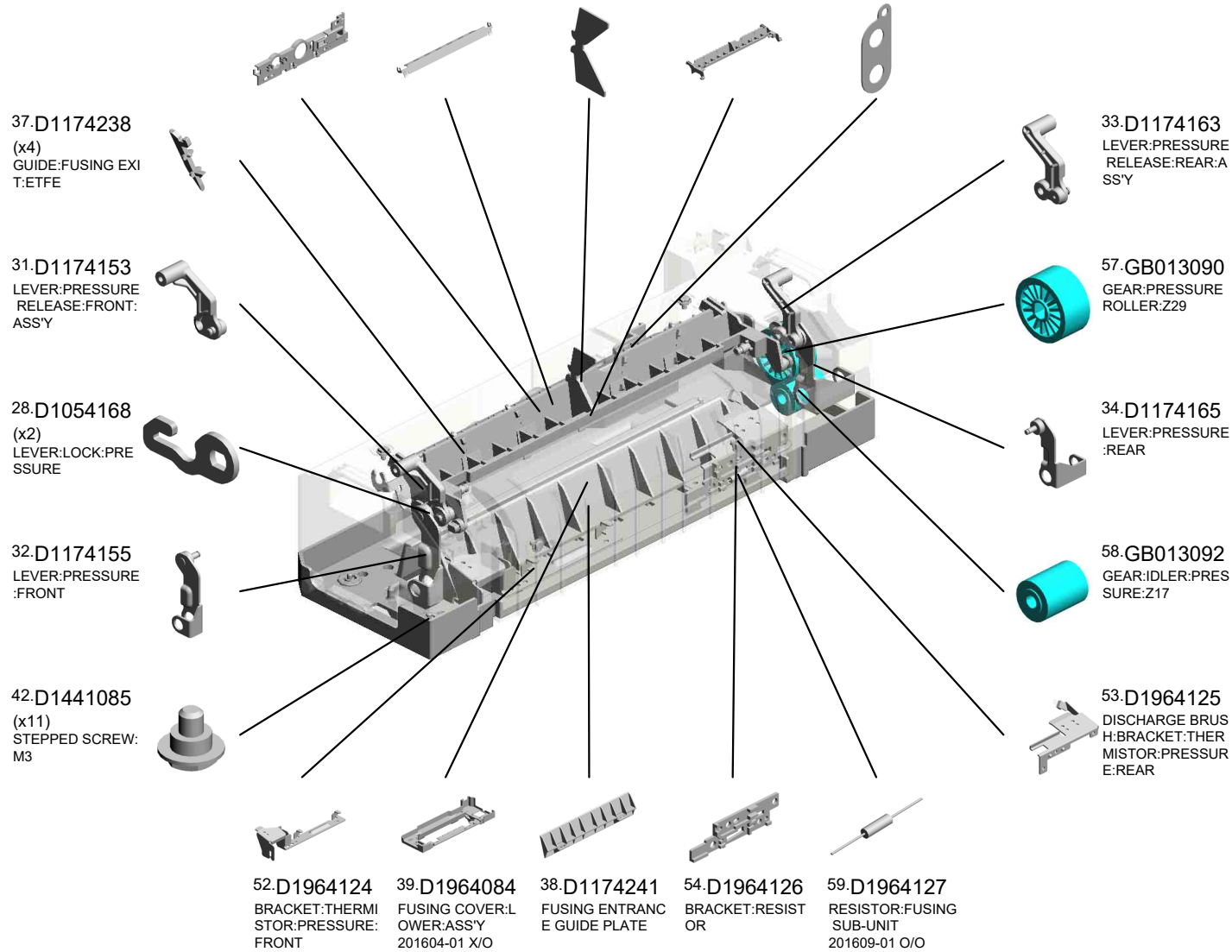


U012\_S007  
(D219/D220)(-EU,-AA):FUSING UNIT:SERVICE PARTS

55.D1964194 GUIDE:HARNESS:FUSING  
56.D1964231 STRIPPER PLATE  
36.D1174236 SHEET:C:LEVER  
35.D1174235 GUIDE PLATE:FUSING  
EXIT  
29.D1054303 ELECTRODE PLATE:FUSING:NEUTRAL

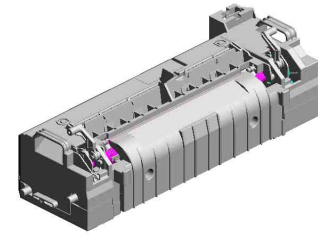
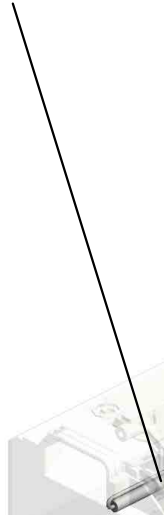


47.D1964035 (D219/D220)(-EU,-AA):FUSING UNIT:SERVICE PARTS



U012\_S007  
(D219/D220)(-EU,-AA):FUSING UNIT:SERVICE PARTS

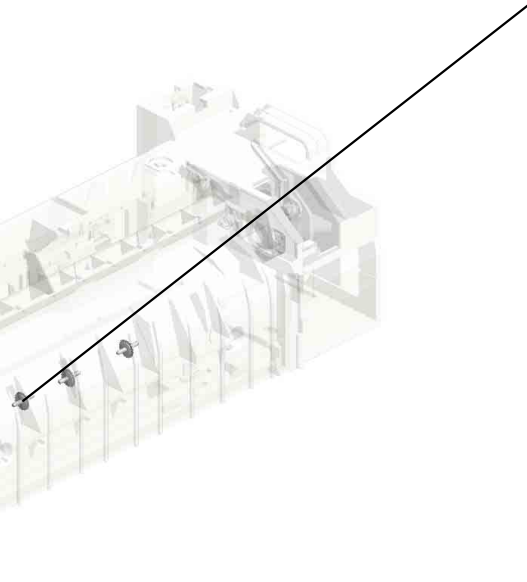
61.M0264371  
NEW UNIT DETEC  
T SENSOR  
201508-05



47.D1964035  
(D219/D220)(-EU,-A  
A):FUSING UNIT:SER  
VICE PARTS



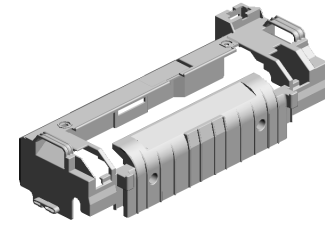
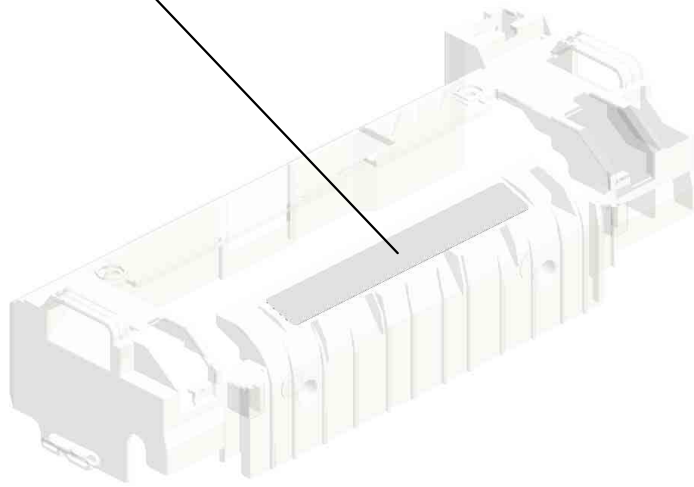
63.M0266340  
(x6)  
GUIDE:PAPER:RAI  
L:ASSY  
201903-01 O/O



U001	U002	U003	U004	U005	U006	U007	U008	U009	U010	U011	U012	U013	U014	U015	U016	U017	U018	U019
------	------	------	------	------	------	------	------	------	------	------	------	------	------	------	------	------	------	------

U012\_S007\_S001  
FUSING COVER:UPPER:ASS'Y

41.D1174263  
DECAL:H-TEMP W  
ARNING:FUSING



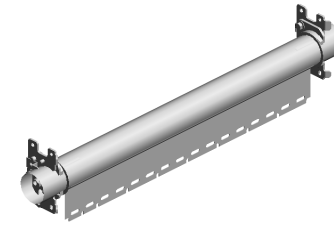
40.D1174261  
FUSING COVER:U  
PPER:ASS'Y

U001	U002	U003	U004	U005	U006	U007	U008	U009	U010	U011	U012	U013	U014	U015	U016	U017	U018	U019
------	------	------	------	------	------	------	------	------	------	------	------	------	------	------	------	------	------	------

U012\_S007\_S002  
(-EU,-AA,-KOR,-CHN):SLEEVE:FUSING:ASS'Y

10.08046128

(x4)  
HEXAGONAL BOLT  
:DOUBLE SCREW:  
M3X10



50.D1964038  
(-EU,-AA,-KOR,-CH  
N):SLEEVE:FUSIN  
G:ASS'Y

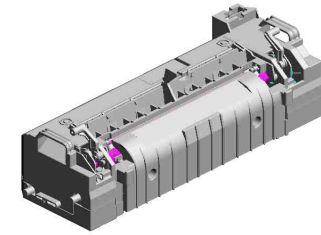


2.03603006N  
(x2)  
SCREW - M3X6

U001	U002	U003	U004	U005	U006	U007	U008	U009	U010	U011	U012	U013	U014	U015	U016	U017	U018	U019
------	------	------	------	------	------	------	------	------	------	------	------	------	------	------	------	------	------	------

# U012\_S008 (D220)(-NA):FUSING UNIT:SERVICE PARTS

- 23.AW110101 THERMOSTAT:LOWER
- 27.BW100150 NON-CONTACT TYPE THERMISTOR
- 25.BE020304 PRESSURE ROLLER: DIA25
- 10.08046128 (x2) HEXAGONAL BOLT: DOUBLE SCREW: M3X10
- 16.AA061088 TORSION SPRING: STRIPPER PLATE: REAR



46.D1964034  
(D220)(-NA):FUSING UNIT:SERVICE PARTS

5.07200040E  
(x2)  
RETAINING RING - M4

15.AA061087  
TORSION SPRING: STRIPPER PLATE: FRONT

18.AA062086  
(x2)  
COIL SPRING:PRESSURE

8.07330406  
(x2)  
BUSHING - 4X6

2.03603006N  
(x16)  
SCREW - M3X6

4.07200030E  
(x4)  
RETAINING RING - M3

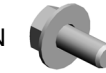
19.AA143870  
STEPPED SCREW

9.08046123  
HEXAGONAL BOLT:WASHER:M3X8

1.03530060N  
(x4)  
BIND SCREW - M3 X6

26.BW100147  
(x3)  
THERMISTOR:PRESSURE

13.09544012N  
(x2)  
SCREW:POLISHED ROUND/SPRING:M4X12

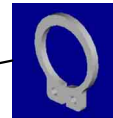


9.08046123  
(x2)  
HEXAGONAL BOLT:WASHER:M3X8



10.08046128  
(x9)  
HEXAGONAL BOLT: DOUBLE SCREW: M3X10

7.07270080E  
(x2)  
RETAINING RING - M8



2.03603006N(x 4)  
SCREW - M3X6

6.07200060E(x 1)  
RETAINING RING - M6

12.09544008N(x 1)  
SCREW - M4X8

11.08053579  
(x2)  
BALL BEARING:DIA 8XDIA16X5



17.AA061089  
(x2)  
COIL SPRING:GUIDE PLATE:FUSING EXIT

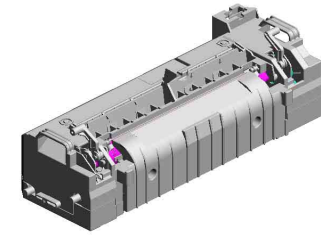


20.AB012076  
GEAR:DRIVE:Z21

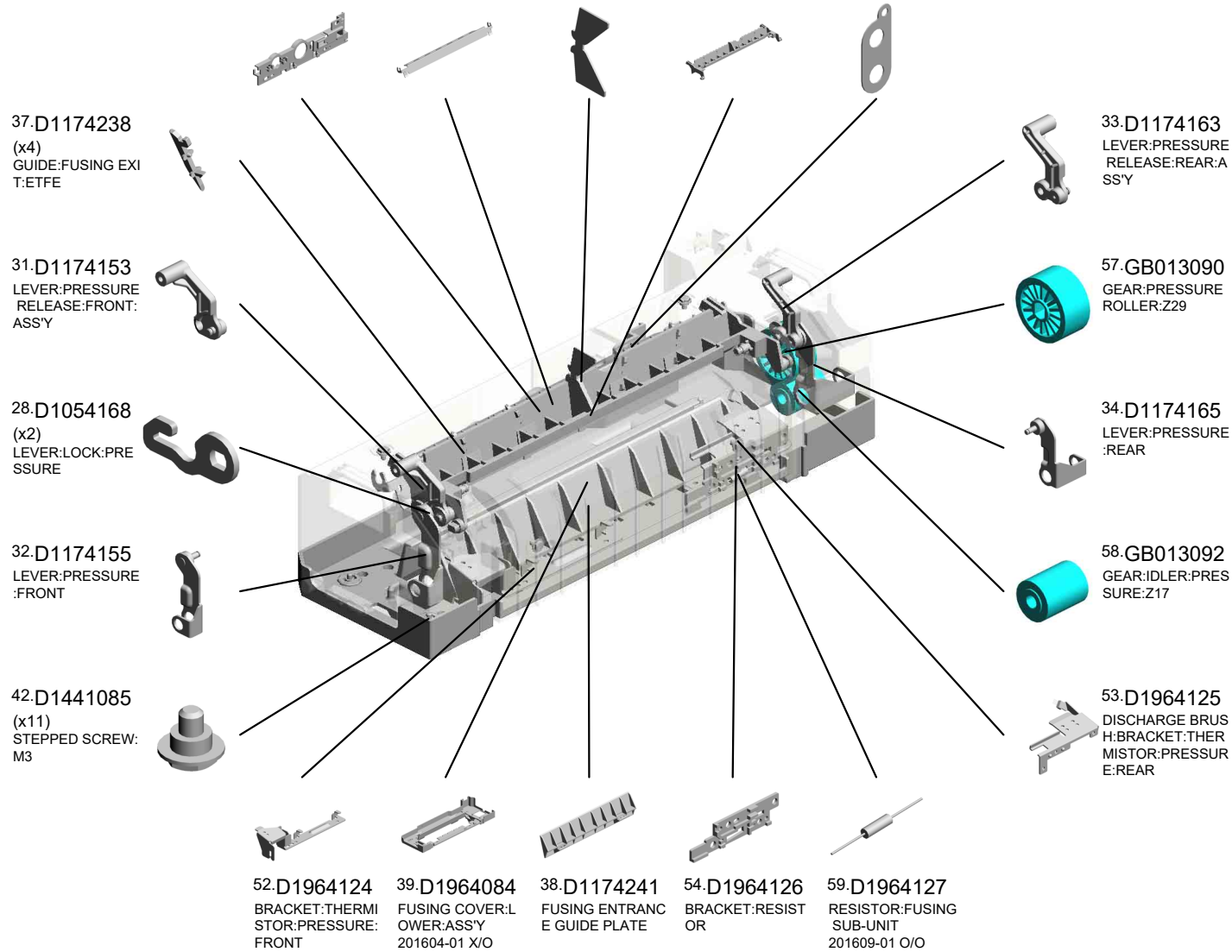


U012\_S008  
(D220)(-NA):FUSING UNIT:SERVICE PARTS

55.D1964194 GUIDE:HARNESS:FUSING  
56.D1964231 STRIPPER PLATE  
36.D1174236 SHEET:C:LEVER  
35.D1174235 GUIDE PLATE:FUSING  
EXIT  
29.D1054303 ELECTRODE PLATE:FUSING:NEUTRAL

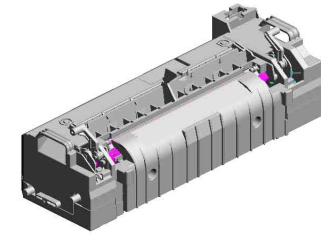
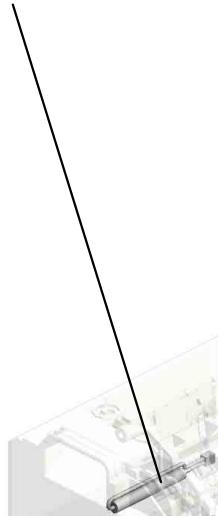


46.D1964034 (D220)(-NA):FUSING UNIT:SERVICE PARTS



U012\_S008  
(D220)(-NA):FUSING UNIT:SERVICE PARTS

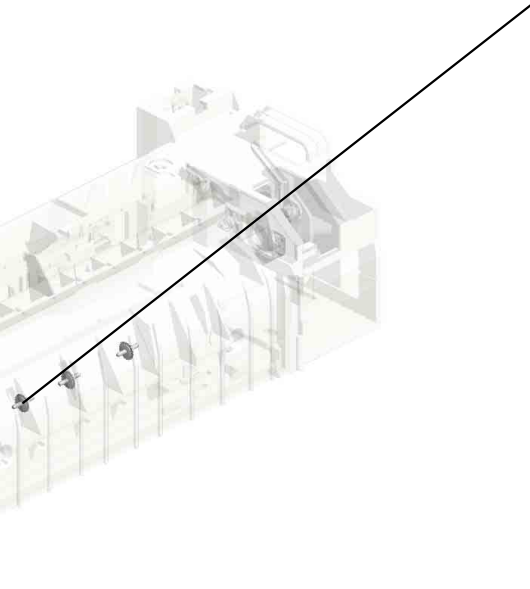
61.M0264371  
NEW UNIT DETEC  
T SENSOR  
201508-05



46.D1964034  
(D220)(-NA):FUSIN  
G UNIT:SERVICE P  
ARTS



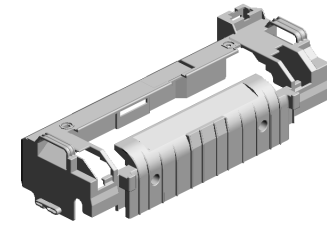
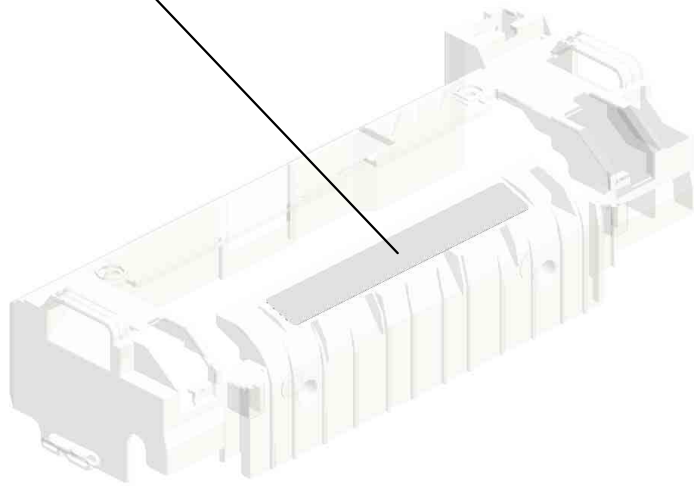
63.M0266340  
(x6)  
GUIDE:PAPER:RAI  
L:ASSY  
201903-01 O/O



U001	U002	U003	U004	U005	U006	U007	U008	U009	U010	U011	U012	U013	U014	U015	U016	U017	U018	U019
------	------	------	------	------	------	------	------	------	------	------	------	------	------	------	------	------	------	------

U012\_S008\_S001  
FUSING COVER:UPPER:ASS'Y

41.D1174263  
DECAL:H-TEMP W  
ARNING:FUSING

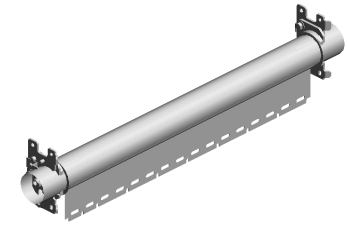


40.D1174261  
FUSING COVER:U  
PPER:ASS'Y

U001	U002	U003	U004	U005	U006	U007	U008	U009	U010	U011	U012	U013	U014	U015	U016	U017	U018	U019
------	------	------	------	------	------	------	------	------	------	------	------	------	------	------	------	------	------	------

U012\_S008\_S002  
(-NA):SLEEVE:FUSING:ASS'Y

10.08046128  
(x4)  
HEXAGONAL BOLT  
:DOUBLE SCREW:  
M3X10



49.D1964037  
(-NA):SLEEVE:FUSI  
NG:ASS'Y

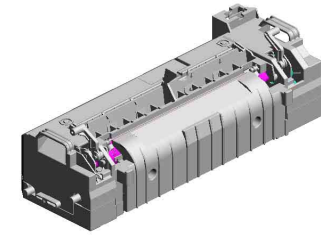


2.03603006N  
(x2)  
SCREW - M3X6

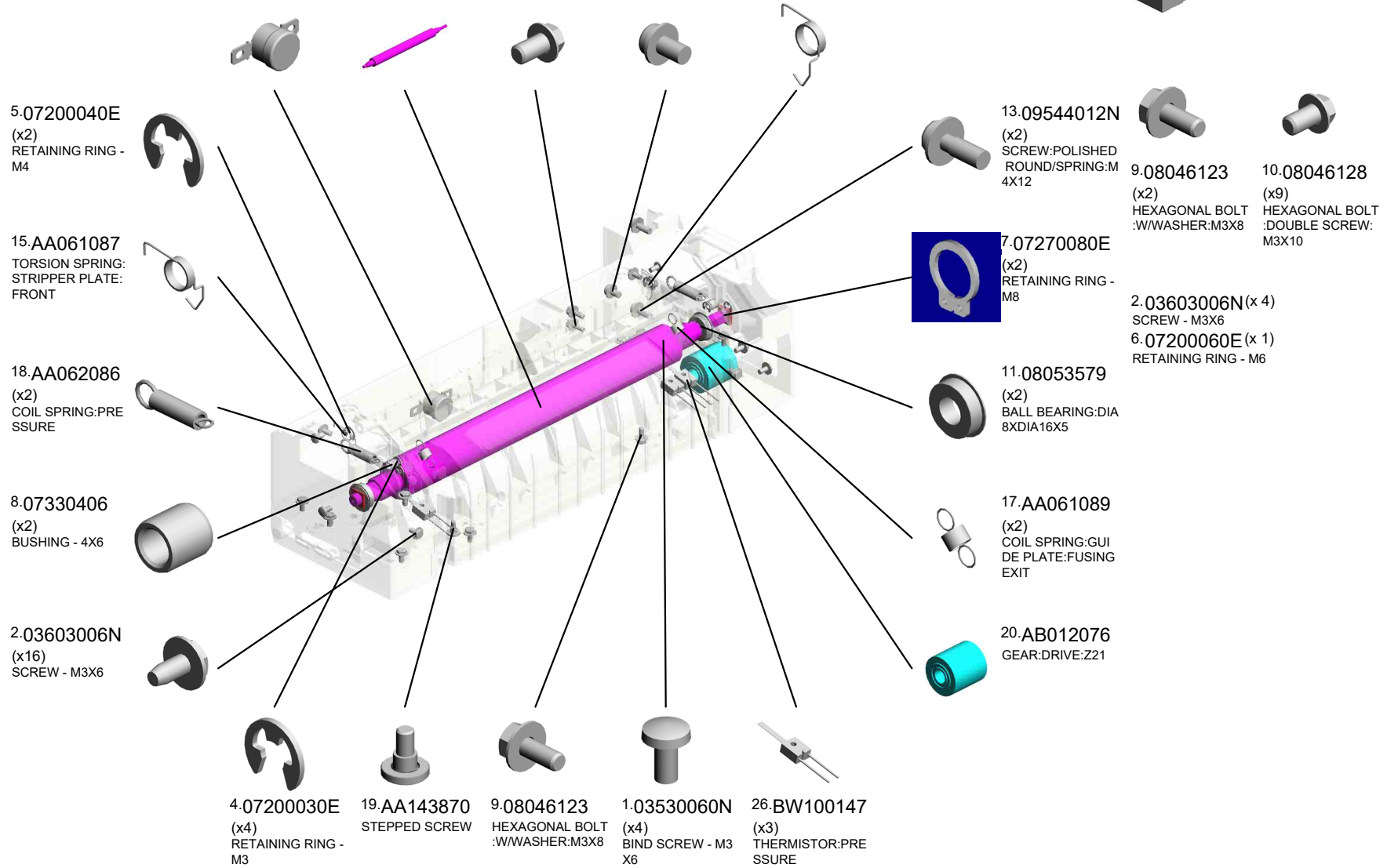
U001	U002	U003	U004	U005	U006	U007	U008	U009	U010	U011	U012	U013	U014	U015	U016	U017	U018	U019
------	------	------	------	------	------	------	------	------	------	------	------	------	------	------	------	------	------	------

U012\_S009  
(D220)(-TWN):FUSING UNIT:SERVICE PARTS

- 23.AW110101 THERMOSTAT:LOWER
- 25.BE020304 PRESSURE ROLLER: DIA25
- 10.08046128 (x2) HEXAGONAL BOLT: DOUBLE SCREW: M3X10
- 12.09544008N SCREW - M4X8
- 16.AA061088 TORSION SPRING: STRIPPER PLATE: REAR



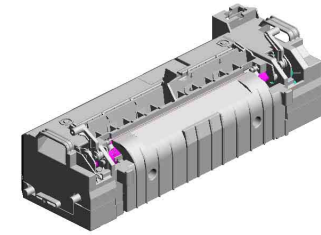
48.D1964036  
(D220)(-TWN):FUSING UNIT:SERVICE PARTS



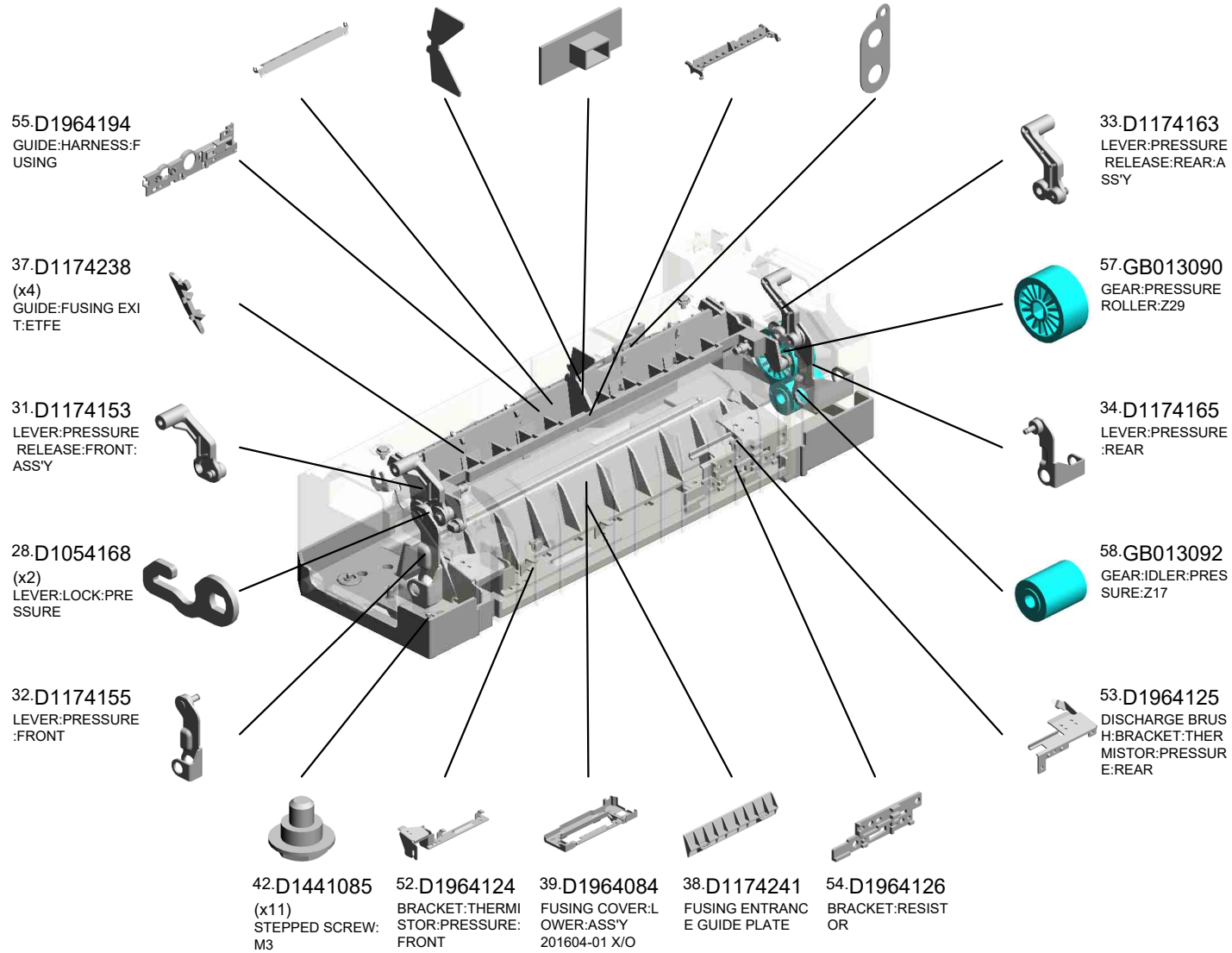
U001	U002	U003	U004	U005	U006	U007	U008	U009	U010	U011	U012	U013	U014	U015	U016	U017	U018	U019
------	------	------	------	------	------	------	------	------	------	------	------	------	------	------	------	------	------	------

U012\_S009  
(D220)(-TWN):FUSING UNIT:SERVICE PARTS

- 56.D1964231 STRIPPER PLATE
- 36.D1174236 SHEET.C:LEVER
- 27.BW100150 NON-CONTACT TYPE THERMISTOR
- 35.D1174235 GUIDE PLATE:FUSING EXIT
- 29.D1054303 ELECTRODE PLATE:FUSING:NEUTRAL



48.D1964036  
(D220)(-TWN):FUSING UNIT:SERVICE PARTS

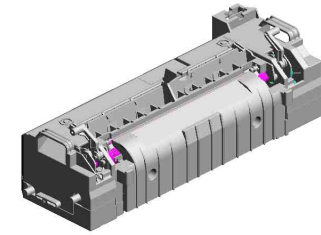


U001	U002	U003	U004	U005	U006	U007	U008	U009	U010	U011	U012	U013	U014	U015	U016	U017	U018	U019
------	------	------	------	------	------	------	------	------	------	------	------	------	------	------	------	------	------	------

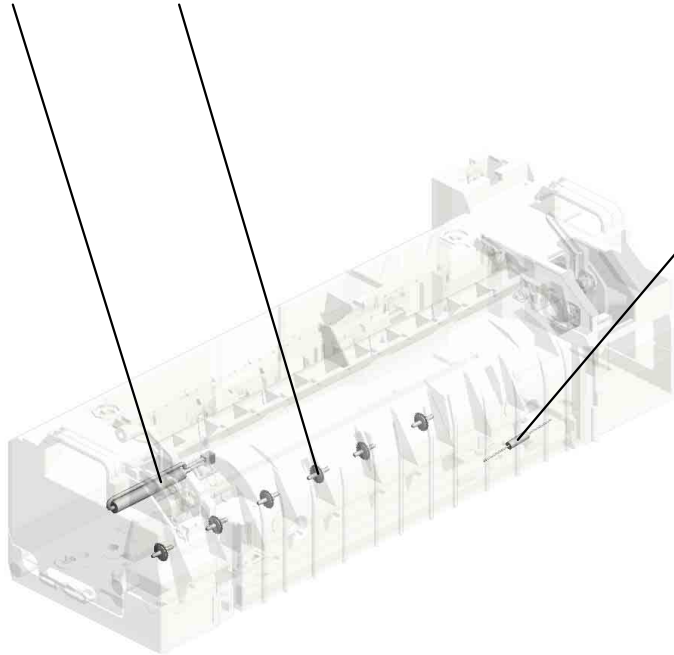
U012\_S009  
(D220)(-TWN):FUSING UNIT:SERVICE PARTS

61.M0264371  
NEW UNIT DETEC  
T SENSOR  
201508-05

63.M0266340  
(x6)  
GUIDE:PAPER:RAI  
L:ASSY  
201903-01 O/O



48.D1964036  
(D220)(-TWN):FUSI  
NG UNIT:SERVICE  
PARTS

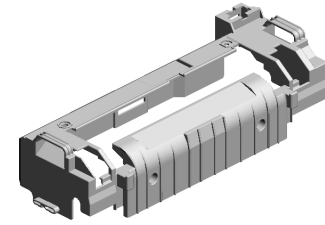
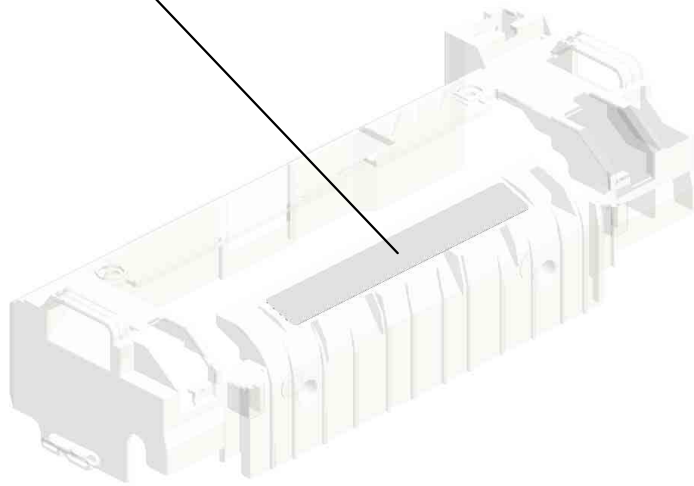


59.D1964127  
RESISTOR:FUSING  
SUB-UNIT  
201609-01 O/O

U001	U002	U003	U004	U005	U006	U007	U008	U009	U010	U011	U012	U013	U014	U015	U016	U017	U018	U019
------	------	------	------	------	------	------	------	------	------	------	------	------	------	------	------	------	------	------

U012\_S009\_S001  
FUSING COVER:UPPER:ASS'Y

41.D1174263  
DECAL:H-TEMP W  
ARNING:FUSING



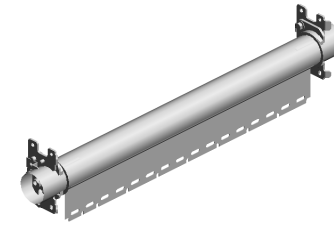
40.D1174261  
FUSING COVER:U  
PPER:ASS'Y

U001	U002	U003	U004	U005	U006	U007	U008	U009	U010	U011	U012	U013	U014	U015	U016	U017	U018	U019
------	------	------	------	------	------	------	------	------	------	------	------	------	------	------	------	------	------	------

U012\_S009\_S002  
(-TWN):SLEEVE:FUSING:ASS'Y

10.08046128

(x4)  
HEXAGONAL BOLT  
:DOUBLE SCREW:  
M3X10



51.D1964039  
(-TWN):SLEEVE:FU  
SING:ASS'Y

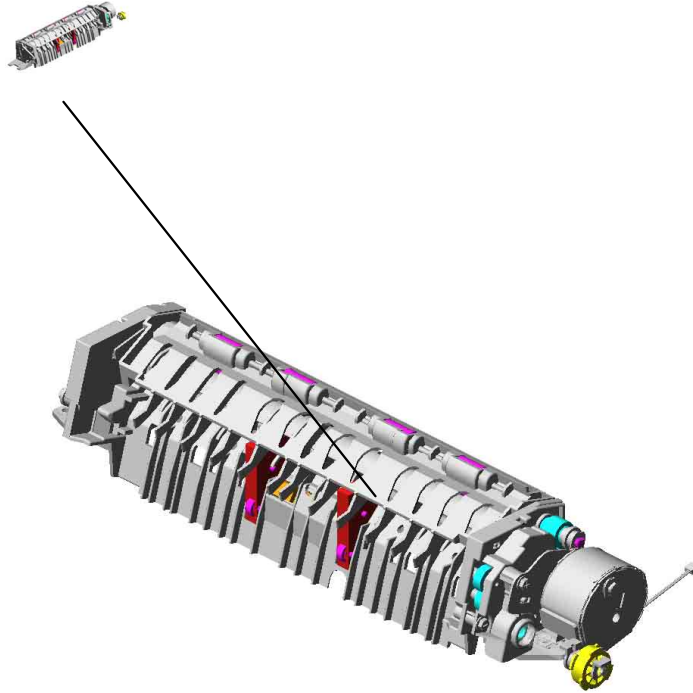


2.03603006N  
(x2)  
SCREW - M3X6

U001	U002	U003	U004	U005	U006	U007	U008	U009	U010	U011	U012	U013	U014	U015	U016	U017	U018	U019
------	------	------	------	------	------	------	------	------	------	------	------	------	------	------	------	------	------	------

# U013.PAPER EXIT

U013 S001  
D1964402  
PAPER EXIT UNIT:ASSY



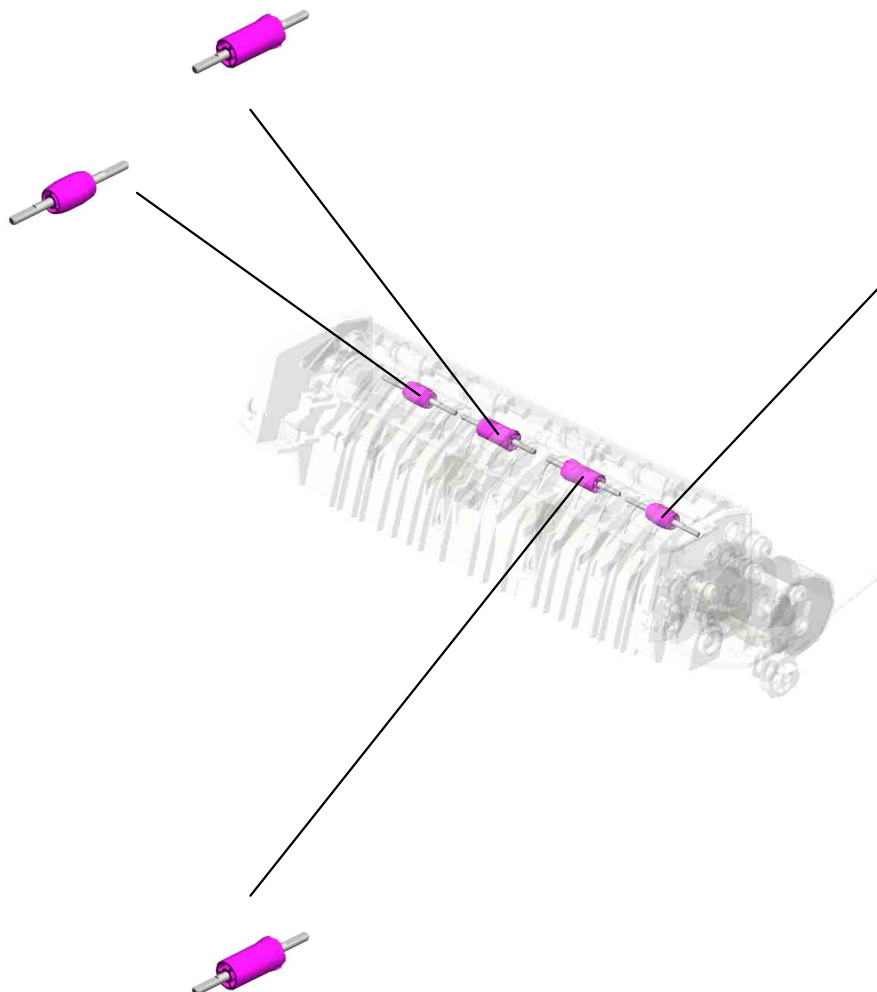
U001	U002	U003	U004	U005	U006	U007	U008	U009	U010	U011	U012	U013	U014	U015	U016	U017	U018	U019
------	------	------	------	------	------	------	------	------	------	------	------	------	------	------	------	------	------	------

# U013\_S001.PAPER EXIT UNIT:ASS'Y

U013 S001 S001  
D1964463  
ROLLER:DRIVEN:EXIT:MIDD  
LE:ASS'Y

U013 S001 S004  
D1964464  
ROLLER:DRIVEN:EXIT:OUTE  
R:ASS'Y

U013 S001 S003  
D1964464  
ROLLER:DRIVEN:EXIT:OUTE  
R:ASS'Y



U013 S001 S002  
D1964463  
ROLLER:DRIVEN:EXIT:MIDD  
LE:ASS'Y

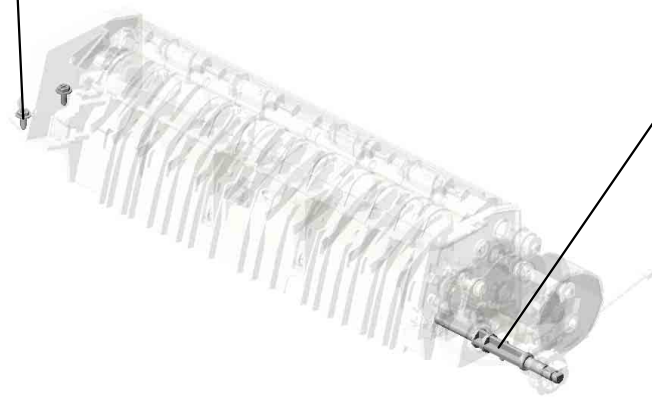
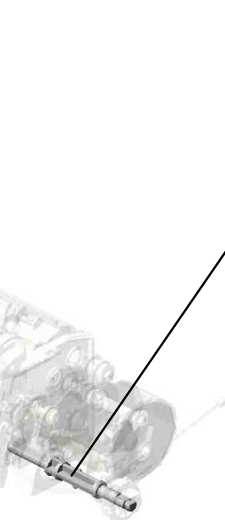
U001	U002	U003	U004	U005	U006	U007	U008	U009	U010	U011	U012	U013	U014	U015	U016	U017	U018	U019
------	------	------	------	------	------	------	------	------	------	------	------	------	------	------	------	------	------	------

U013  
PAPER EXIT

1.04543008Q  
(x3)  
TAPPING SCREW:  
3X8



16.D1174481  
SHAFT:COUPLING:  
EXIT



U001	U002	U003	U004	U005	U006	U007	U008	U009	U010	U011	U012	U013	U014	U015	U016	U017	U018	U019
------	------	------	------	------	------	------	------	------	------	------	------	------	------	------	------	------	------	------

U013\_S001  
PAPER EXIT UNIT:ASS'Y



44.D1964402  
PAPER EXIT UNIT:  
ASS'Y

- 17.D1174489 DISCHARGE BRUSH:EXIT
- 12.D1174454 EXIT ROLLER
- 4.11050511 (x2) HARNESS CLAMP - LWS-0306ZC
- 19.D1964455 GEAR:EXIT
- 14.D1174465 COLLAR:GEAR:EXIT

11.D1174452 GATE PAWL:REVERSE

2.04583010N (x7) HEXAGON HEAD TAPPING SCREW:3X10

13.D1174457 (x2) BRACKET:ROLLER:EXIT

10.D1174451 GUIDE PLATE:EXIT:LOWER

18.D1174492 (x6) ROLLER:EXIT

15.D1174477 BRACKET:IDLER:EXIT

5.52152621 SNAP RING - M6

7.AA080346 (x2) BUSHING:FLANGE TYPE:DIA6

9.AB030854 TIMING PULLEY:EXIT ROLLER

6.54472681 SNAP RING

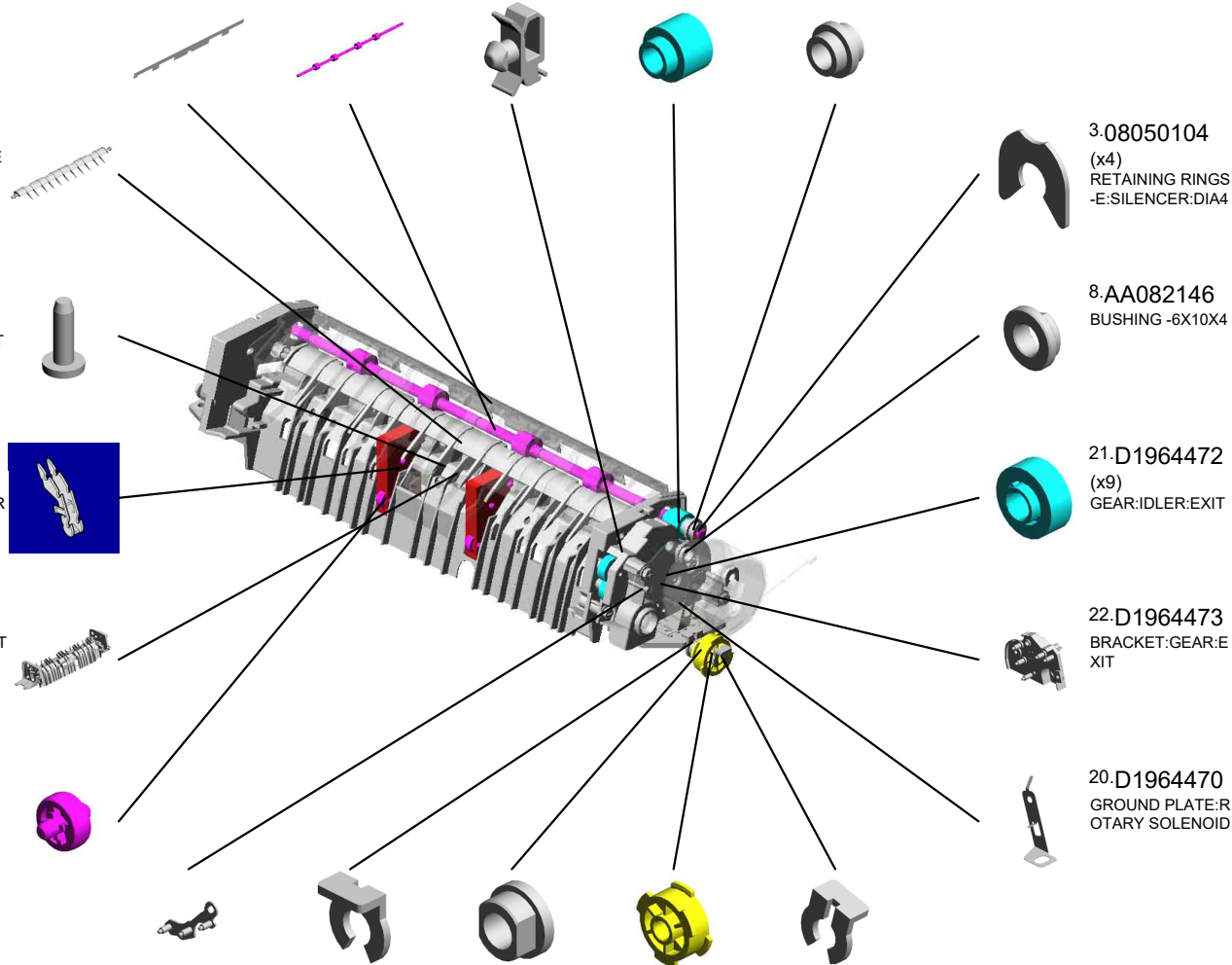
3.08050104 (x4) RETAINING RINGS -E:SILENCER:DIA4

8.AA082146 BUSHING -6X10X4

21.D1964472 (x9) GEAR:IDLER:EXIT

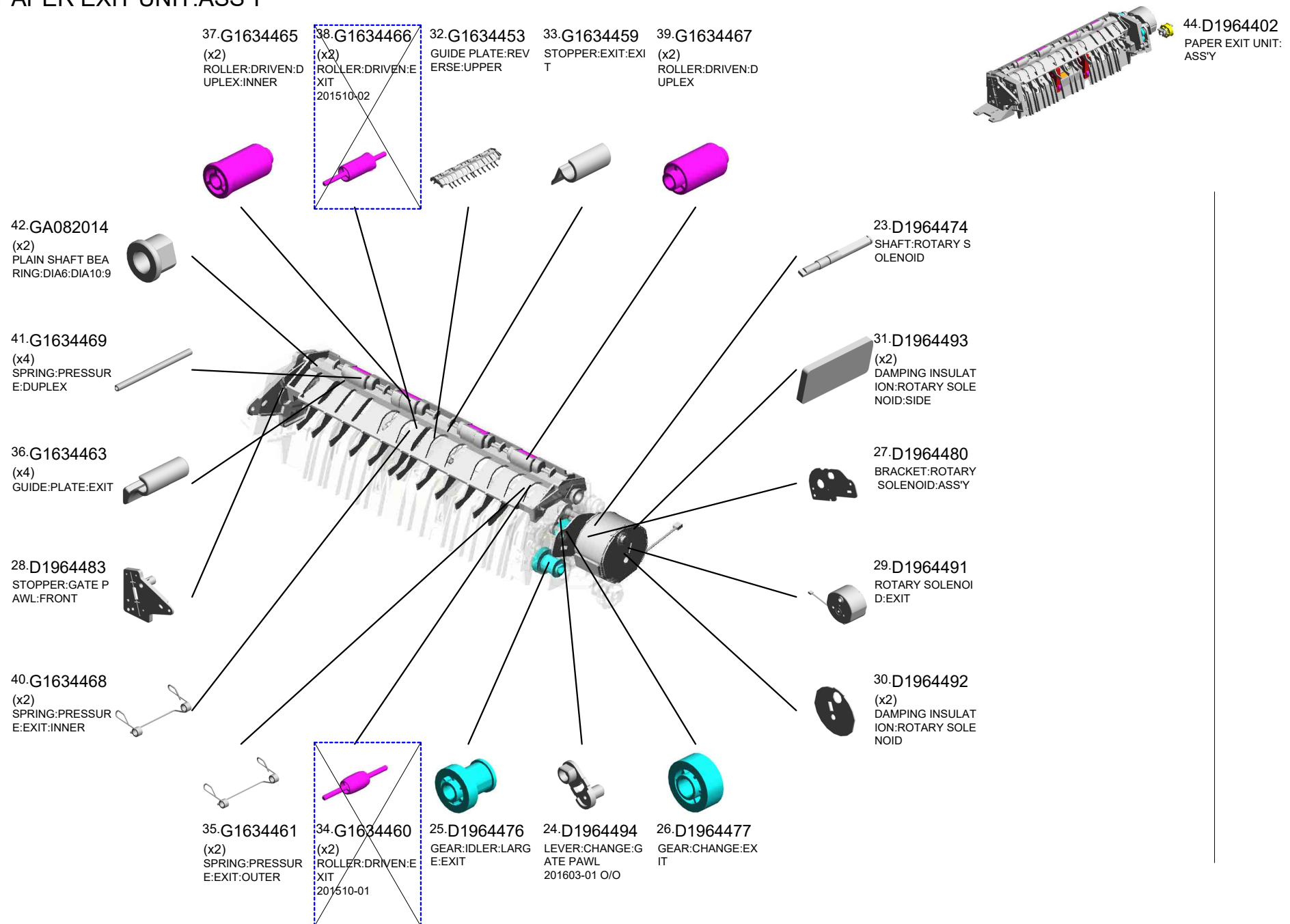
22.D1964473 BRACKET:GEAR:EXIT

20.D1964470 GROUND PLATE:ROTARY SOLENOID



U001	U002	U003	U004	U005	U006	U007	U008	U009	U010	U011	U012	U013	U014	U015	U016	U017	U018	U019
------	------	------	------	------	------	------	------	------	------	------	------	------	------	------	------	------	------	------

U013\_S001  
PAPER EXIT UNIT:ASS'Y



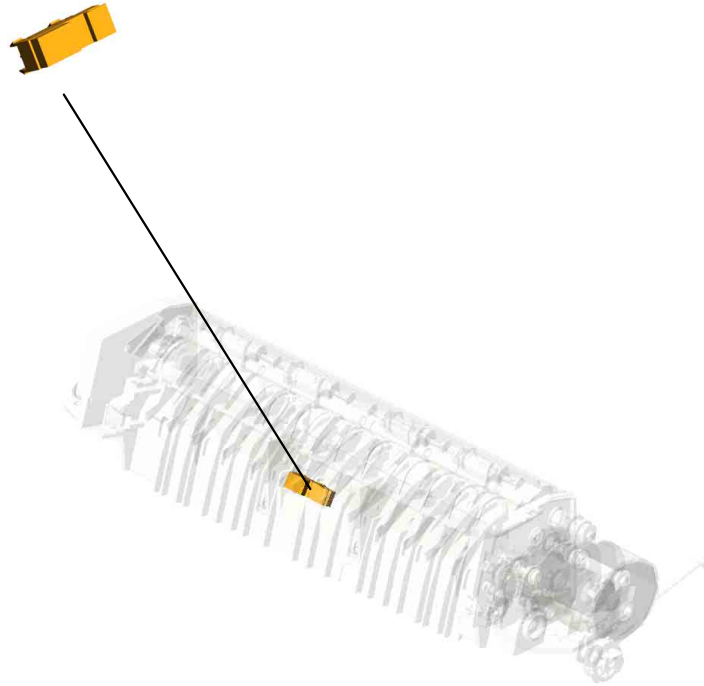
U001	U002	U003	U004	U005	U006	U007	U008	U009	U010	U011	U012	U013	U014	U015	U016	U017	U018	U019
------	------	------	------	------	------	------	------	------	------	------	------	------	------	------	------	------	------	------

U013\_S001  
PAPER EXIT UNIT:ASS'Y

43.GW010007  
PHOTO REFLECTI  
ON SENSOR:EXIT



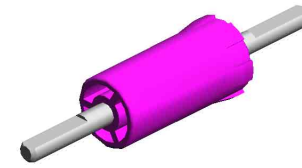
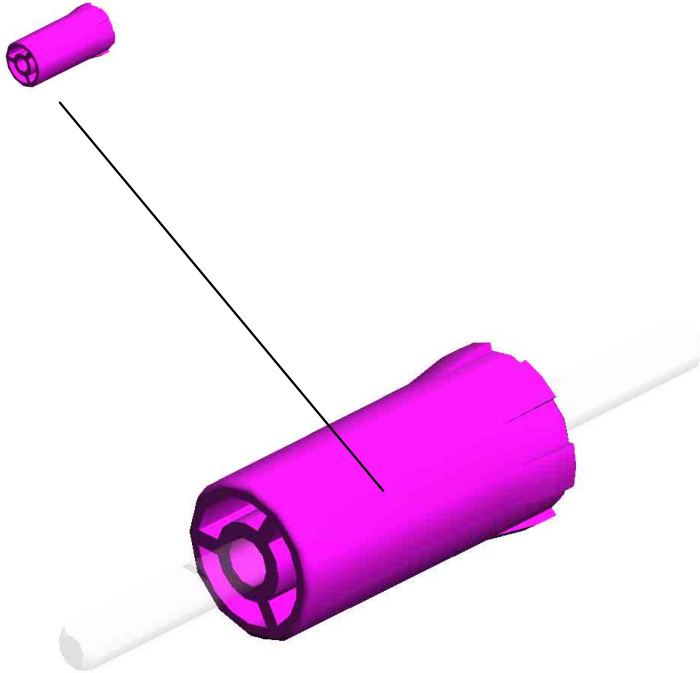
44.D1964402  
PAPER EXIT UNIT:  
ASS'Y



U001	U002	U003	U004	U005	U006	U007	U008	U009	U010	U011	U012	U013	U014	U015	U016	U017	U018	U019
------	------	------	------	------	------	------	------	------	------	------	------	------	------	------	------	------	------	------

U013\_S001\_S001  
ROLLER:DRIVEN:EXIT:MIDDLE:ASS'Y

45:D1964461  
ROLLER:DRIVEN:E  
XIT:MIDDLE  
201611-03



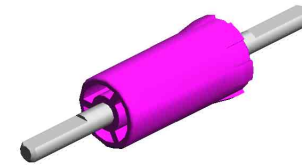
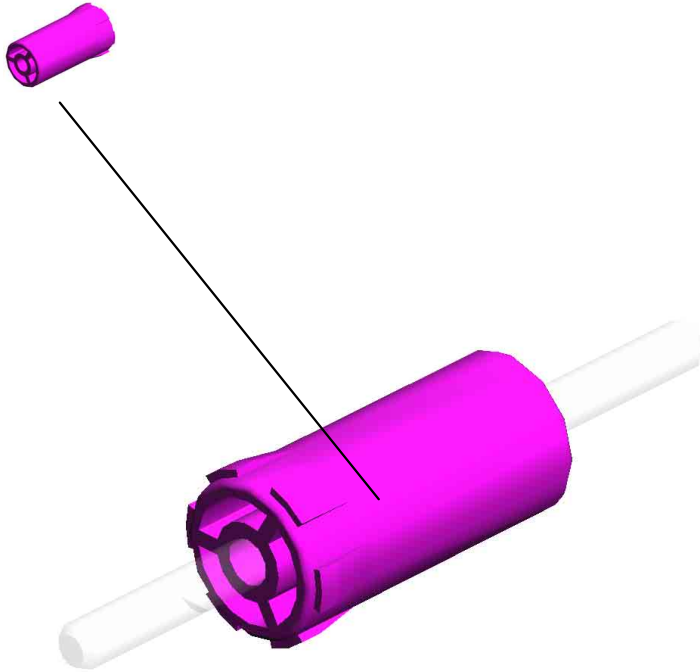
47:D1964463  
ROLLER:DRIVEN:E  
XIT:MIDDLE:ASS'Y  
201611-01

U001	U002	U003	U004	U005	U006	U007	U008	U009	U010	U011	U012	U013	U014	U015	U016	U017	U018	U019
------	------	------	------	------	------	------	------	------	------	------	------	------	------	------	------	------	------	------

U013\_S001\_S002

ROLLER:DRIVEN:EXIT:MIDDLE:ASS'Y

45.D1964461  
ROLLER:DRIVEN:E  
XIT:MIDDLE  
201611-03



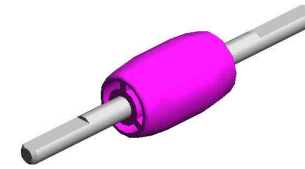
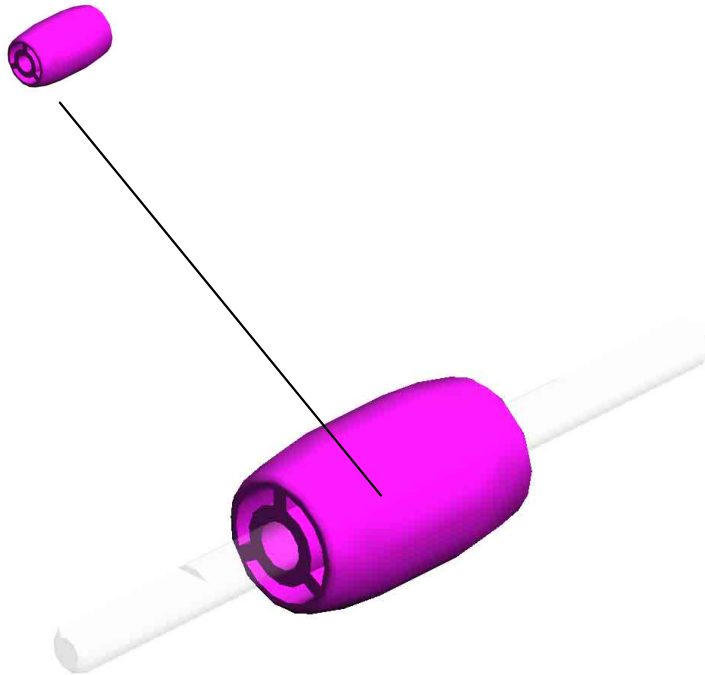
47.D1964463  
ROLLER:DRIVEN:E  
XIT:MIDDLE:ASS'Y  
201611-01

U001	U002	U003	U004	U005	U006	U007	U008	U009	U010	U011	U012	U013	U014	U015	U016	U017	U018	U019
------	------	------	------	------	------	------	------	------	------	------	------	------	------	------	------	------	------	------

U013\_S001\_S003

ROLLER:DRIVEN:EXIT:OUTER:ASS'Y

46.D1964462  
ROLLER:DRIVEN:E  
XIT:OUTER  
201611-04



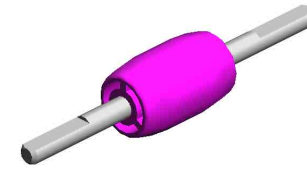
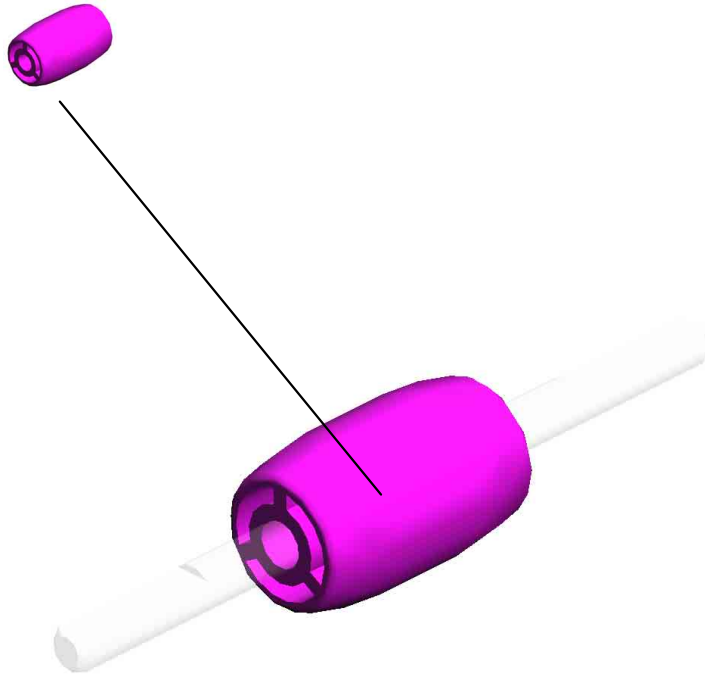
48.D1964464  
ROLLER:DRIVEN:E  
XIT:OUTER:ASS'Y  
201611-02

U001	U002	U003	U004	U005	U006	U007	U008	U009	U010	U011	U012	U013	U014	U015	U016	U017	U018	U019
------	------	------	------	------	------	------	------	------	------	------	------	------	------	------	------	------	------	------

U013\_S001\_S004

ROLLER:DRIVEN:EXIT:OUTER:ASS'Y

46.D1964462  
ROLLER:DRIVEN:E  
XIT:OUTER  
201611-04

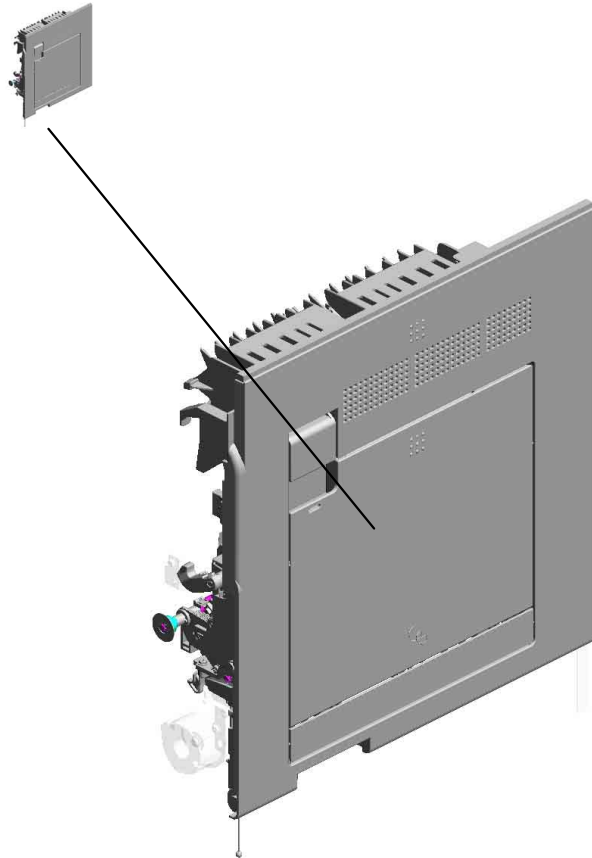


48.D1964464  
ROLLER:DRIVEN:E  
XIT:OUTER:ASS'Y  
201611-02

U001	U002	U003	U004	U005	U006	U007	U008	U009	U010	U011	U012	U013	U014	U015	U016	U017	U018	U019
------	------	------	------	------	------	------	------	------	------	------	------	------	------	------	------	------	------	------

# U014.DUPLEX

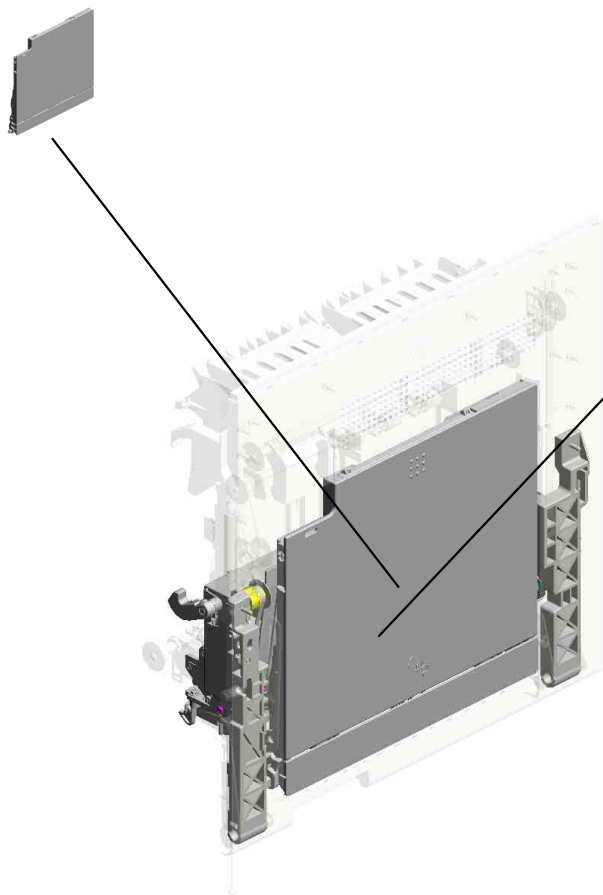
U014 S001  
D1960251  
DUPLEX UNIT:ASSY



U001	U002	U003	U004	U005	U006	U007	U008	U009	U010	U011	U012	U013	U014	U015	U016	U017	U018	U019
------	------	------	------	------	------	------	------	------	------	------	------	------	------	------	------	------	------	------

# U014\_S001.DUPLEX UNIT:ASS'Y

U014 S001 S001  
D1172762  
MANUAL FEED TABLE:ASS'Y



U014 S001 S002  
D1964520  
FRAME:DUPLEX:ASS'Y

U001	U002	U003	U004	U005	U006	U007	U008	U009	U010	U011	U012	U013	U014	U015	U016	U017	U018	U019
------	------	------	------	------	------	------	------	------	------	------	------	------	------	------	------	------	------	------

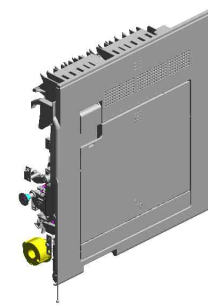
# U014 DUPLEX

14.D1174501 (x2)  
PIN:HOOK:FRAME:  
DUPLEX:ASSY

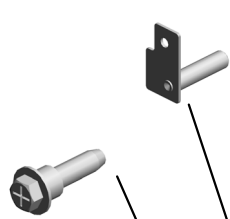
66.D1174727  
COVER:CONNECT  
OR:DUPLEX SECTI  
ON:CONNECTING

69.D1174733  
COLLAR:STOPPER  
:SIDE PLATE

3.04503010N (x4)  
TAPPING SCREW -  
M3X10



59.D1174713  
SHAFT:PULLEY:WI  
RE



68.D1174732  
TORSION SPRING:  
DOOR:RIGHT:STO  
PPER

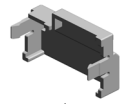


67.D1174731  
PULLEY:WIRE:DA  
MPER

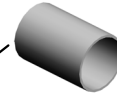


70.D1174734  
BRACKET:STOPPE  
R:SIDE PLATE:ASS  
Y

19.D1174602  
BAND:STOPPER:C  
OVER:RIGHT



121.D1964600  
COMPRESSION SP  
RING:9N  
201704-02



122.D1964601  
CAP:COIL SPRING  
201704-03



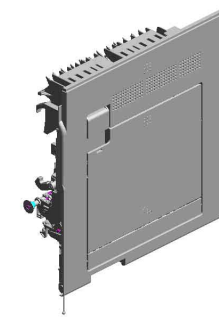
20.D1174607  
PLATE:BAND:STO  
PPER



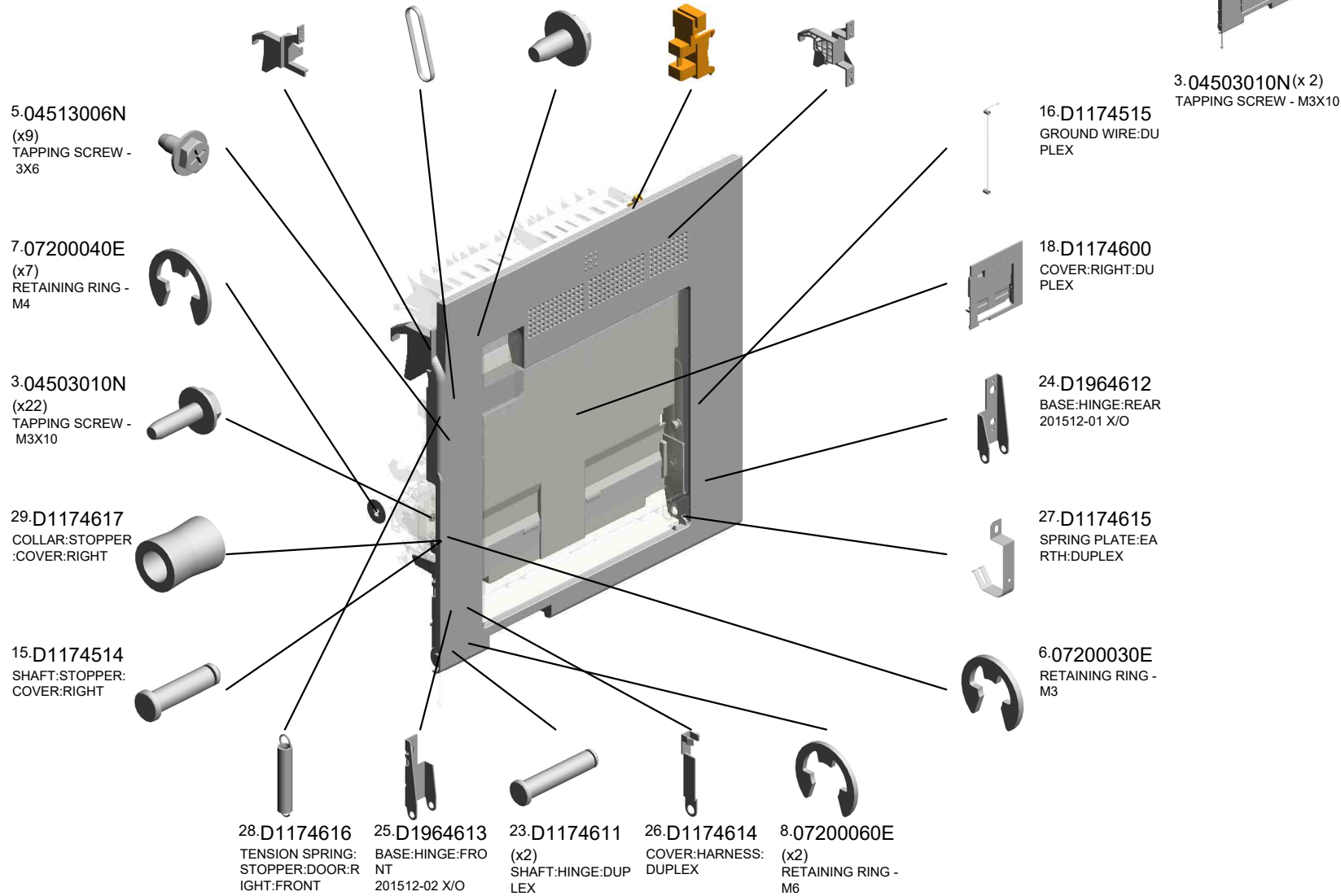
U001	U002	U003	U004	U005	U006	U007	U008	U009	U010	U011	U012	U013	U014	U015	U016	U017	U018	U019
------	------	------	------	------	------	------	------	------	------	------	------	------	------	------	------	------	------	------

U014\_S001  
 DUPLEX UNIT:ASS'Y

- 21.D1174608 LEVER:FUSING:RE LEASE:FRONT
- 13.B7002649 TIMING BELT:40S2 M144
- 1.03603006N (x2) SCREW - M3X6
- 12.AW020224 PHOTOINTERRUP TOR:GP1A173LCS VF 201607-01 O/O
- 22.D1174609 LEVER:FUSING:RE LEASE:INNER BAC K

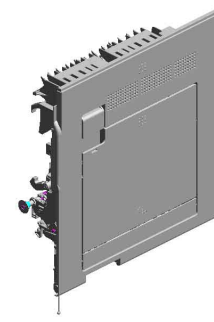


120.D1960251  
 DUPLEX UNIT:ASS'Y



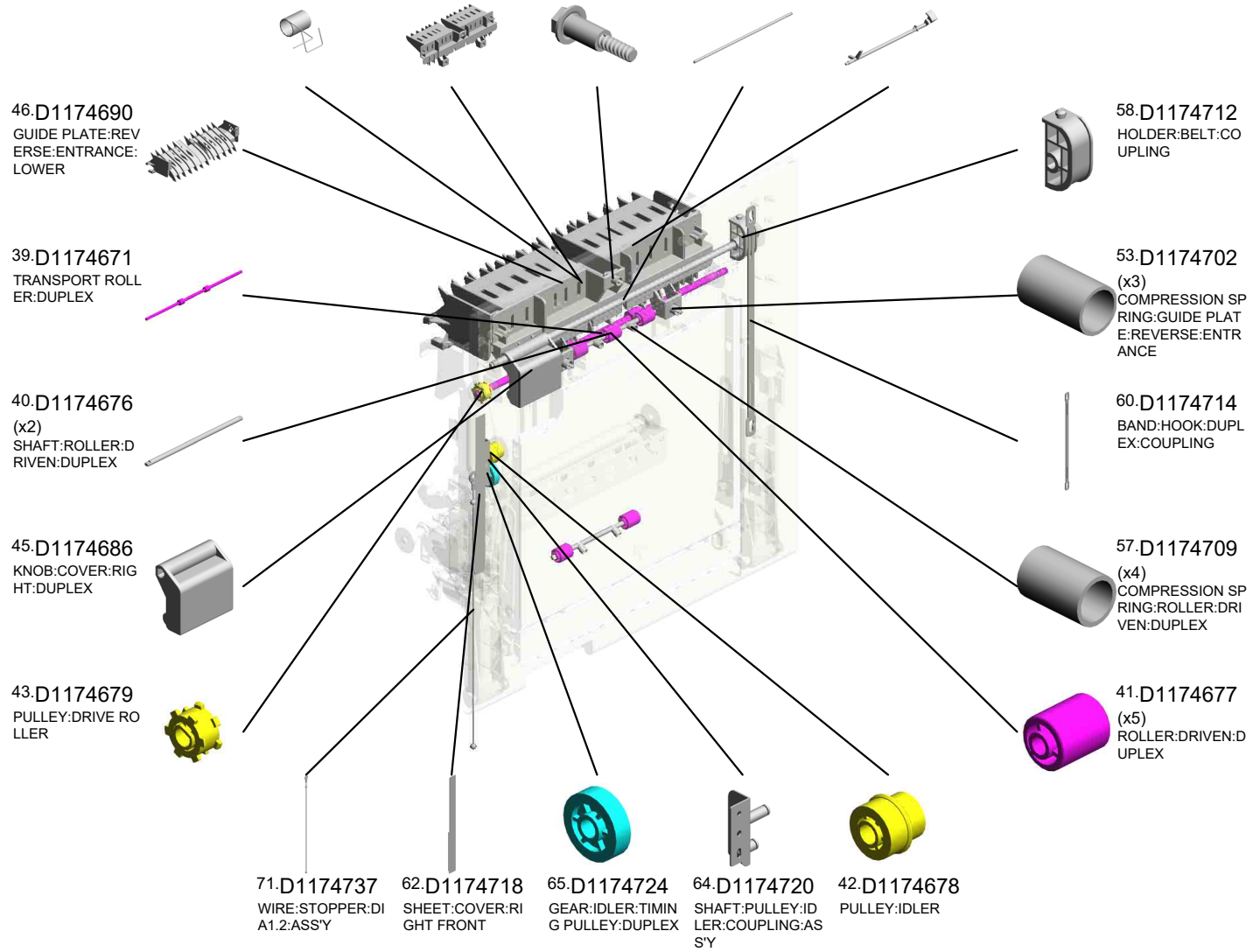
U001	U002	U003	U004	U005	U006	U007	U008	U009	U010	U011	U012	U013	U014	U015	U016	U017	U018	U019
------	------	------	------	------	------	------	------	------	------	------	------	------	------	------	------	------	------	------

U014\_S001  
 DUPLEX UNIT:ASS'Y



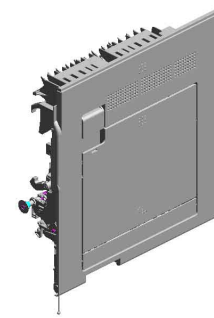
120.D1960251  
 DUPLEX UNIT:ASS'Y

- 61.D1174716 TORSION SPRING: FEELER: ENTRANCE SENSOR
- 50.D1174698 GUIDE PLATE: REVERSE: ENTRANCE: UPPER
- 51.D1174699 (x3) SHAFT: GUIDE PLATE: REVERSE: ENTRANCE: UPPER
- 44.D1174682 SHAFT: HOOK: STOPPER
- 52.D1964700 FEELER: ENTRANCE SENSOR: REVERSE: DUPLEX 201511-01 X/O



U001	U002	U003	U004	U005	U006	U007	U008	U009	U010	U011	U012	U013	U014	U015	U016	U017	U018	U019
------	------	------	------	------	------	------	------	------	------	------	------	------	------	------	------	------	------	------

U014\_S001  
 DUPLEX UNIT:ASS'Y



120.D1960251  
 DUPLEX UNIT:ASS'  
 Y

- 76.D1964723 SPONGE:DOOR:RI  
GHT:UPPER
- 78.D1964730 (x4)  
SHEET:COVER:RI  
GHT:4
- 75.D1964717 COVER:ENTRANC  
E SENSOR
- 79.GA082010 (x2)  
BUSHING:DIA6:DIA  
10:9
- 77.D1964729 (x2)  
SHEET:COVER:RI  
GHT:2

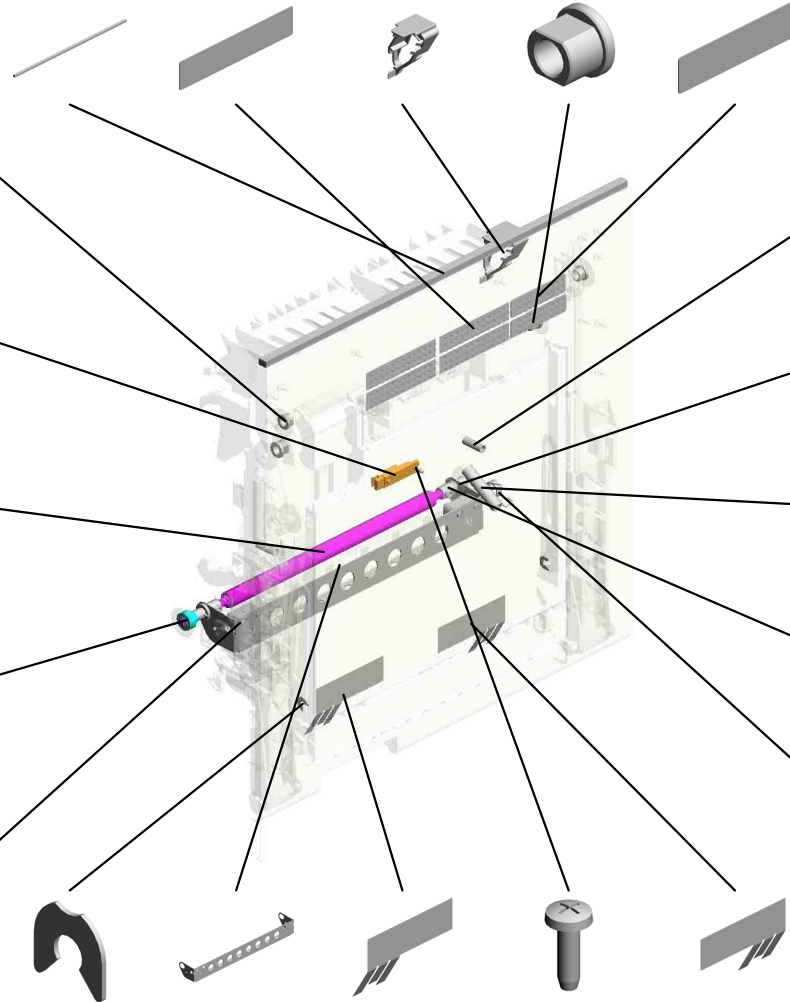
80.GA082015  
 (x2)  
 PLAIN SHAFT BEA  
 RING:DIA6:DIA9:7

88.AW010124  
 PHOTO REFLECTIO  
 N SENSOR:GP2A2  
 00LCS0F

87.AF020791  
 REGISTRATION R  
 OLLER:DRIVE

86.AB011539  
 GEAR:REGISTRATI  
 ON ROLLER:DRIVE

93.D1172636  
 (x2)  
 HOLDER:REGISTR  
 ATION



83.AA063483  
 (x2)  
 COMPRESSION SP  
 RING:TRANSPORT  
 SUB-UNIT

90.D1172631  
 (x2)  
 COLLAR:REGISTR  
 ATION

84.AA063729  
 (x2)  
 COMPRESSION SP  
 RING:TRANSFER R  
 OLLER:SECOND

91.D1172633  
 (x2)  
 BUSHING:REGIST  
 RATION ROLLER:D  
 RIVE

85.AA066417  
 TORSION SPRING:  
 TRANSFER UNIT

82.08050104  
 (x2)  
 RETAINING RINGS  
 -E:SILENCER:DIA4

92.D1172635  
 BRACKET:FRAME:  
 REGISTRATION

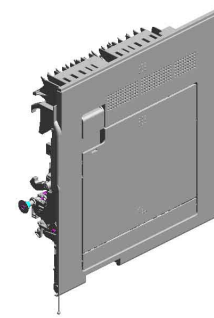
72.D1174792  
 PLATE:MANUAL FE  
 ED:FRONT

81.04523010N  
 BINDING SELF-TA  
 PPING SCREW:3X  
 10

73.D1174794  
 PLATE:MANUAL FE  
 ED:INNER BACK

U001	U002	U003	U004	U005	U006	U007	U008	U009	U010	U011	U012	U013	U014	U015	U016	U017	U018	U019
------	------	------	------	------	------	------	------	------	------	------	------	------	------	------	------	------	------	------

U014\_S001  
 DUPLEX UNIT:ASS'Y



120.D1960251  
 DUPLEX UNIT:ASS'  
 Y

- 131.D1966334 COMPRESSION SPRING:EARTH:STAY:TRANSFER/SEPARATION UNIT
- 116.D1176312 HOLDER:DISCHARGE:TRANSPORT SUB-UNIT
- 129.D1966323 PLATE:STAY:TRANSFER/SEPARATION UNIT
- 125.D1966317 STAY:CASING:TRANSFER ROLLER
- 117.D1176320 TERMINAL:BIAS:SEPARATION

95.D1172638 GUIDE PLATE:REGISTRATION ROLLER:DRIVE

96.D1172639 GUIDE:REGISTRATION:DRIVE:FRONT

123.D1966315 CASING:TRANSFER ROLLER:FRONT

126.D1966318 (x2) PRESSURE PLATE:HOLDER:TRANSFER ROLLER:REAR

94.D1172637 (x2) COMPRESSION SPRING:ROLLER:TENSION



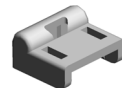
124.D1966316 CASING:TRANSFER ROLLER:REAR

130.D1966328 TERMINAL:BIAS:TRANSFER ROLLER

98.D1172761 (x2) LINK:MANUAL FEED TABLE

128.D1966321 TERMINAL:BIAS:TRANSFER:SECOND:CASE

132.D2051526 GASKET:HINGE



97.D1172640 GUIDE:REGISTRATION:DRIVE:INNER BACK

118.D1176322 (x2) COVER:PRESSURE PLATE:ENTRANCE

119.D1176327 LEVER:GROUND PLATE

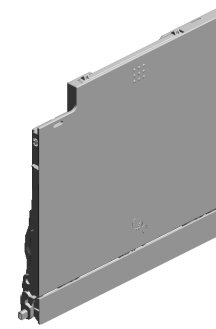
127.D1966319 (x2) STOPPER:PRESSURE:TRANSFER ROLLER

114.D1172787 STOPPER:MANUAL FEED TABLE

U001	U002	U003	U004	U005	U006	U007	U008	U009	U010	U011	U012	U013	U014	U015	U016	U017	U018	U019
------	------	------	------	------	------	------	------	------	------	------	------	------	------	------	------	------	------	------

# U014\_S001\_S001 MANUAL FEED TABLE:ASS'Y

105.D1172771 EXTENSION TRAY:MANUAL FEED  
 102.D1172768 GEAR:SIDE FENCE  
 110.D1172779 PIN:PINION GEAR  
 104.D1172770 COVER:MANUAL FEED TABLE  
 115.D1172792 DECAL:SCALE:MANUAL FEED



99.D1172762  
MANUAL FEED TABLE:ASS'Y

106.D1172772  
(x2)  
COMPRESSION SPRING:EXTENSION TRAY:MANUAL FEED

111.D1172781  
COIL SPRING:PINION GEAR:MANUAL FEED

103.D1172769  
(x2)  
RACK:MANUAL FEED

133.M0262993  
DECAL:SIDE FENCE:MANUAL FEED

101.D1172767  
SIDE FENCE:MANUAL FEED:REAR

112.D1172784  
(x2)  
LINK:COVER:FRONT REAR

107.D1172773  
COVER:MANUAL FEED TABLE:LOWER

108.D1172776  
TORSION SPRING:COVER:MANUAL FEED TABLE

113.D1172785  
LINK:COVER:MIDDLE

109.D1172778  
(x2)  
COMPRESSION SPRING:RACK:MANUAL FEED

100.D1172766  
SIDE FENCE:MANUAL FEED:FRONT

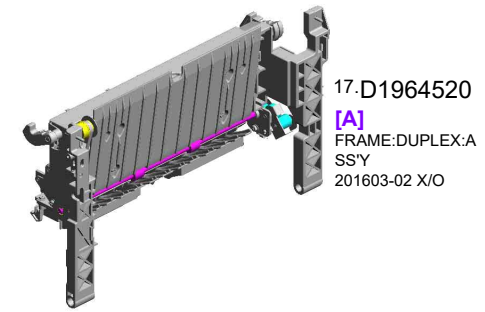
89.D0392752  
DISC:SIDE FENCE

134.M0662743  
(x2)  
FRICTION PAD:MANUAL FEED TABLE:18X7.5

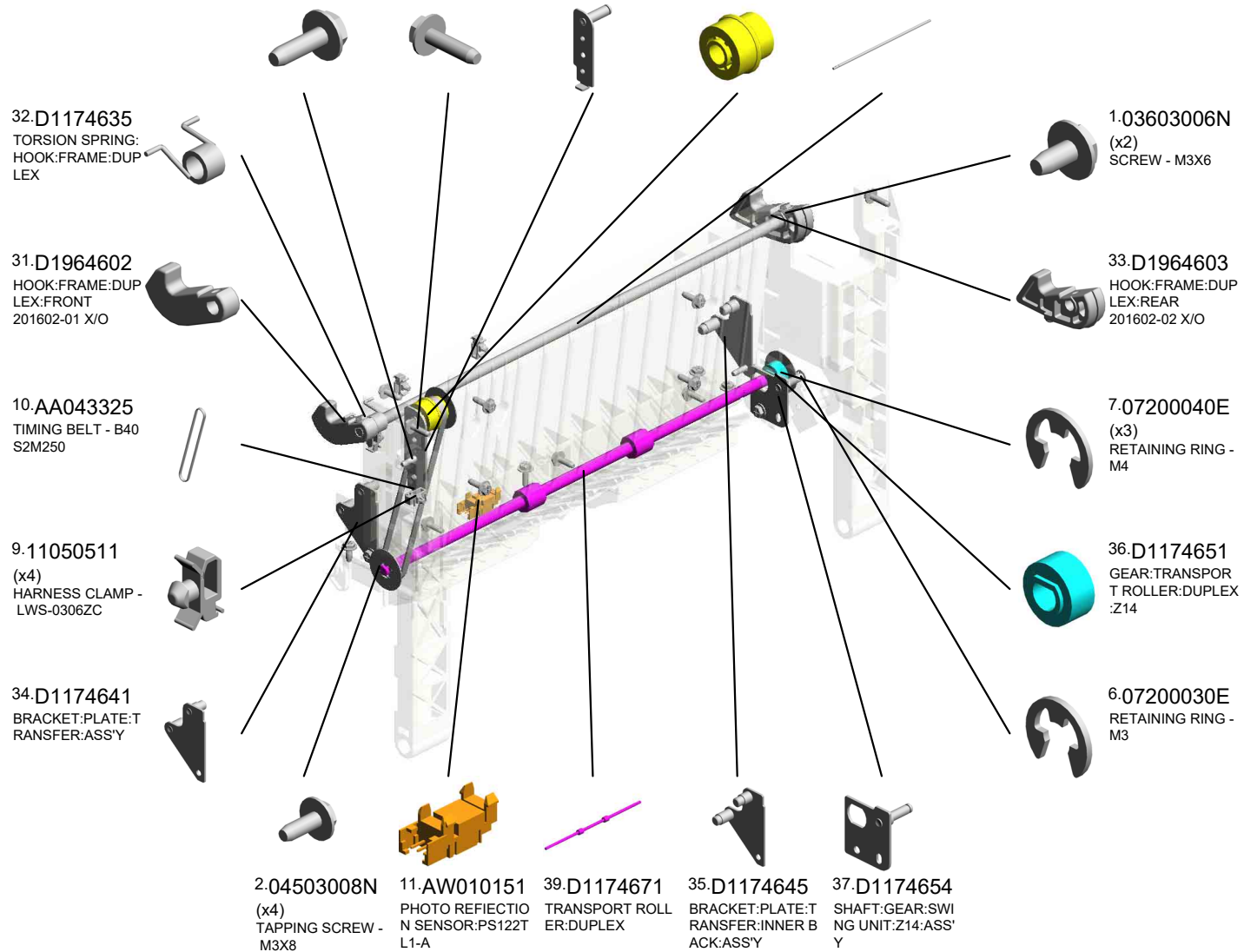
U001	U002	U003	U004	U005	U006	U007	U008	U009	U010	U011	U012	U013	U014	U015	U016	U017	U018	U019
------	------	------	------	------	------	------	------	------	------	------	------	------	------	------	------	------	------	------

U014\_S001\_S002  
 FRAME:DUPLEX:ASS'Y

- 3.04503010N (x13) TAPPING SCREW - M3X10
- 4.04503012N (x2) TAPPING SCREW: 3X12
- 38.D1174664 SHAFT:PULLEY:COUPLING:FRAME:ASS'Y
- 42.D1174678 PULLEY:IDLER
- 30.D1174633 SHAFT:HOOK:FRAME:DUPLEX



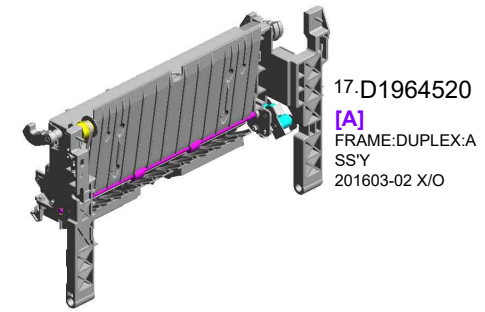
17.D1964520  
 [A]  
 FRAME:DUPLEX:ASS'Y  
 201603-02 X/O



U001	U002	U003	U004	U005	U006	U007	U008	U009	U010	U011	U012	U013	U014	U015	U016	U017	U018	U019
------	------	------	------	------	------	------	------	------	------	------	------	------	------	------	------	------	------	------

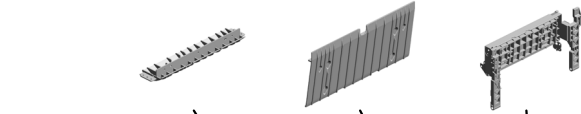
U014\_S001\_S002  
 FRAME:DUPLEX:ASS'Y

48.D1174693 49.D1174697 74.D1964630  
 GUIDE PLATE:REV GUIDE PLATE:MID FRAME:DUPLEX  
 ERSE:EXIT:UPPER DLE



17.D1964520  
 [A]  
 FRAME:DUPLEX:A  
 SS'Y  
 201603-02 X/O

47.D1174691  
 GUIDE PLATE:REV  
 ERSE:EXIT:LOWE  
 R



43.D1174679  
 PULLEY:DRIVE RO  
 LLER



55.D1174706  
 GEAR:IDLER:SWIV  
 EL:COUPLING



79.GA082010  
 (x2)  
 BUSHING:DIA6:DIA  
 10:9



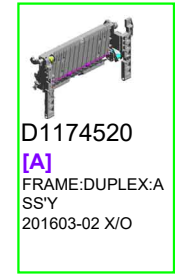
54.D1174705  
 BRACKET:GEAR:S  
 WIVEL:ASS'Y



63.D1174719  
 TUBE:STOPPER



56.D1174708  
 TENSION SPRING:  
 GEAR:SWING UNIT

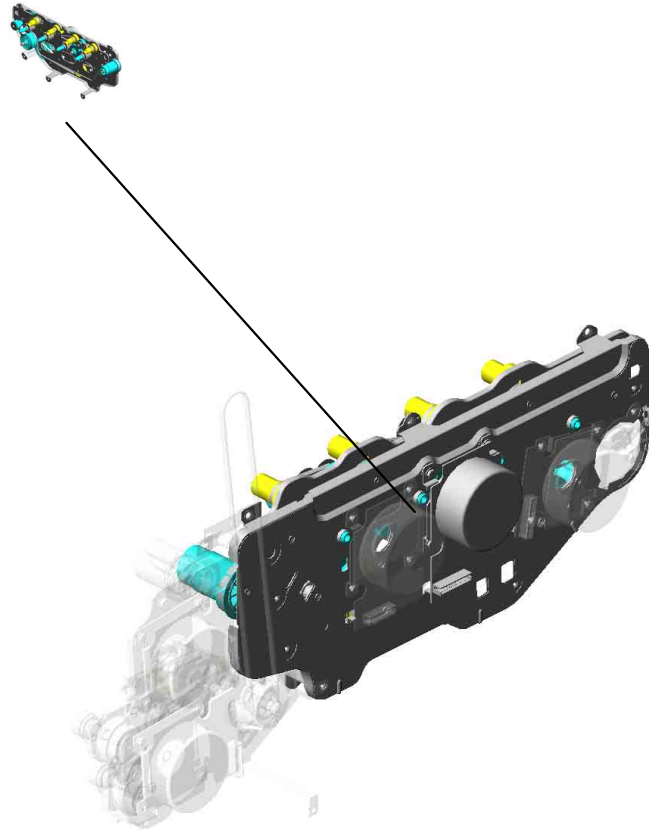


D1174520  
 [A]  
 FRAME:DUPLEX:A  
 SS'Y  
 201603-02 X/O

U001	U002	U003	U004	U005	U006	U007	U008	U009	U010	U011	U012	U013	U014	U015	U016	U017	U018	U019
------	------	------	------	------	------	------	------	------	------	------	------	------	------	------	------	------	------	------

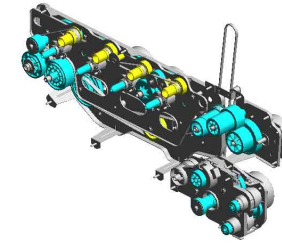
# U015.MAIN DRIVE

U015 S001  
D1961152  
DRIVE UNIT:DRUM:DEVELO  
PMENT:TRANSFER:ASSY



U001	U002	U003	U004	U005	U006	U007	U008	U009	U010	U011	U012	U013	U014	U015	U016	U017	U018	U019
------	------	------	------	------	------	------	------	------	------	------	------	------	------	------	------	------	------	------

# U015 MAIN DRIVE



- 18.AB017850 GEAR:DRIVE UNIT: FUSING:NO.3
- 12.AB017840 GEAR:ELECTROMAGNETIC CLUTCH: OUTPUT:Z30
- 20.AB017934 GEAR:DRIVE UNIT: FUSING:NO.1
- 15.AB017845 GEAR:TRANSPORT:NO.3
- 10.AA080347 (x4) BUSHING - 8MM

7.11050511  
HARNES CLAMP - LWS-0306ZC

17.AB017847  
GEAR:MANUAL FEED:BASE

21.AB017935  
GEAR:TRANSPORT:NO.1

13.AB017841  
(x2)  
GEAR:ELECTROMAGNETIC CLUTCH: OUTPUT:Z19

22.AB017936  
GEAR:TRANSPORT:NO.2

16.AB017846  
GEAR:TRANSPORT:NO.4

14.AB017842  
SHAFT:JOINT: PAPER FEED ROLLER

19.AB017851  
GEAR:TIMING PULLEY: PAPER EXIT UNIT

6.08050104  
(x5)  
RETAINING RINGS -E:SILENCER:DIA4

1.03603006N  
(x22)  
SCREW - M3X6

9.AA080346  
BUSHING:FLANGE TYPE:DIA6

11.AB010929  
GEAR:DRIVE: DEVELOPMENT:NO.2

4.07200040E  
(x5)  
RETAINING RING - M4

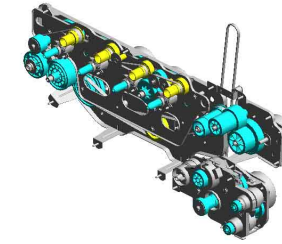
8.54472681  
SNAP RING

3.04503010N  
(x13)  
TAPPING SCREW - M3X10

U001	U002	U003	U004	U005	U006	U007	U008	U009	U010	U011	U012	U013	U014	U015	U016	U017	U018	U019
------	------	------	------	------	------	------	------	------	------	------	------	------	------	------	------	------	------	------

# U015 MAIN DRIVE

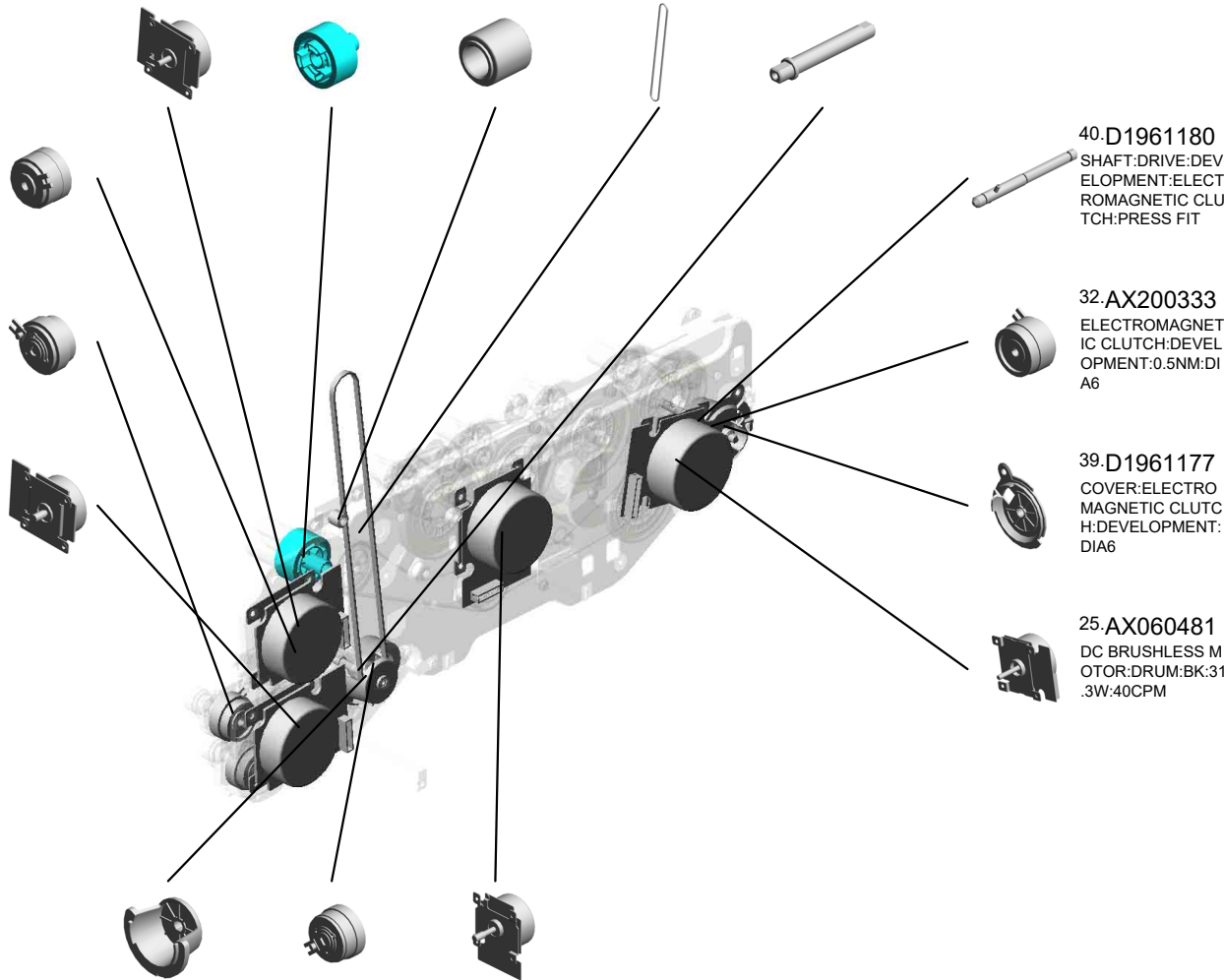
- 28.AX060484 DC BRUSHLESS MOTOR:DRIVE SUB-UNIT:FUSING:34.9W:40CPM
- 23.AB017940 GEAR:DRIVE UNIT:FUSING:NO.2
- 24.AB033120 TIGHTENER:SYNCHRONOUS BELT:PAPER EXIT UNIT
- 34.B7027105 TIMING BELT:B40S2M520:
- 36.D1171207 SHAFT:TIMING PULLEY:PAPER EXIT UNIT



- 31.AX200327 ELECTROMAGNETIC CLUTCH:REGISTRATION

- 33.AX200360 (x2) ELECTROMAGNETIC CLUTCH:DRIVE:MANUAL FEED:DUPLICATION

- 29.AX060485 DC BRUSHLESS MOTOR:DRIVE SUB-UNIT:TRANSPORT:18.5W:40CPM



- 40.D1961180 SHAFT:DRIVE:DEVELOPMENT:ELECTROMAGNETIC CLUTCH:PRESS FIT

- 32.AX200333 ELECTROMAGNETIC CLUTCH:DEVELOPMENT:0.5NM:DIA6

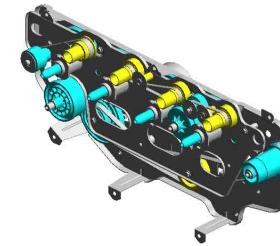
- 39.D1961177 COVER:ELECTROMAGNETIC CLUTCH:DEVELOPMENT:DIA6

- 25.AX060481 DC BRUSHLESS MOTOR:DRUM:BK:31.3W:40CPM

- 37.D1171232 HOLDER:TIMING PULLEY:PAPER EXIT UNIT
- 30.AX200326 ELECTROMAGNETIC CLUTCH:PAPER FEED ROLLER
- 27.AX060483 DC BRUSHLESS MOTOR:DEVELOPMENT:COLOR:34.4W:35CPM

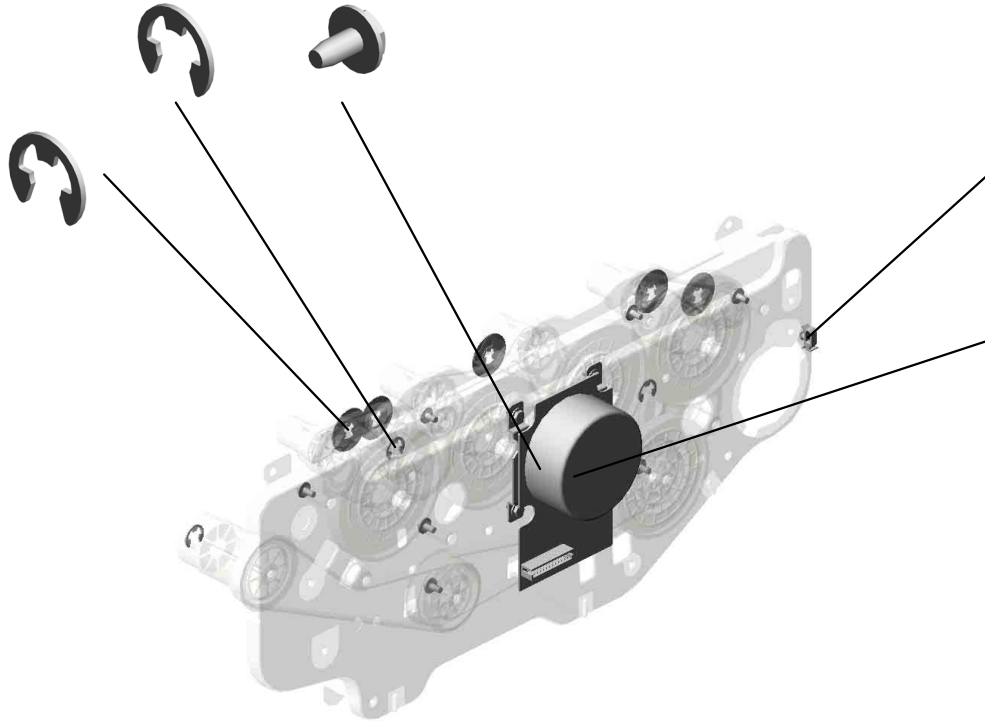
U015\_S001  
 DRIVE UNIT:DRUM:DEVELOPMENT:TRANSFER:ASS'Y

5-07200060E 1-03603006N  
 (x3) (x12)  
 RETAINING RING - SCREW - M3X6  
 M6



38.D1961152  
 DRIVE UNIT:DRUM  
 :DEVELOPMENT:T  
 RANSFER:ASS'Y

4-07200040E  
 (x5)  
 RETAINING RING -  
 M4



7-11050511  
 HARNESS CLAMP -  
 LWS-0306ZC

26.AX060482  
 DC BRUSHLESS M  
 OTOR:DRUM:COLL  
 AR:20.4W:35CPM

U001	U002	U003	U004	U005	U006	U007	U008	U009	U010	U011	U012	U013	U014	U015	U016	U017	U018	U019
------	------	------	------	------	------	------	------	------	------	------	------	------	------	------	------	------	------	------

# U016.ELECTRICAL

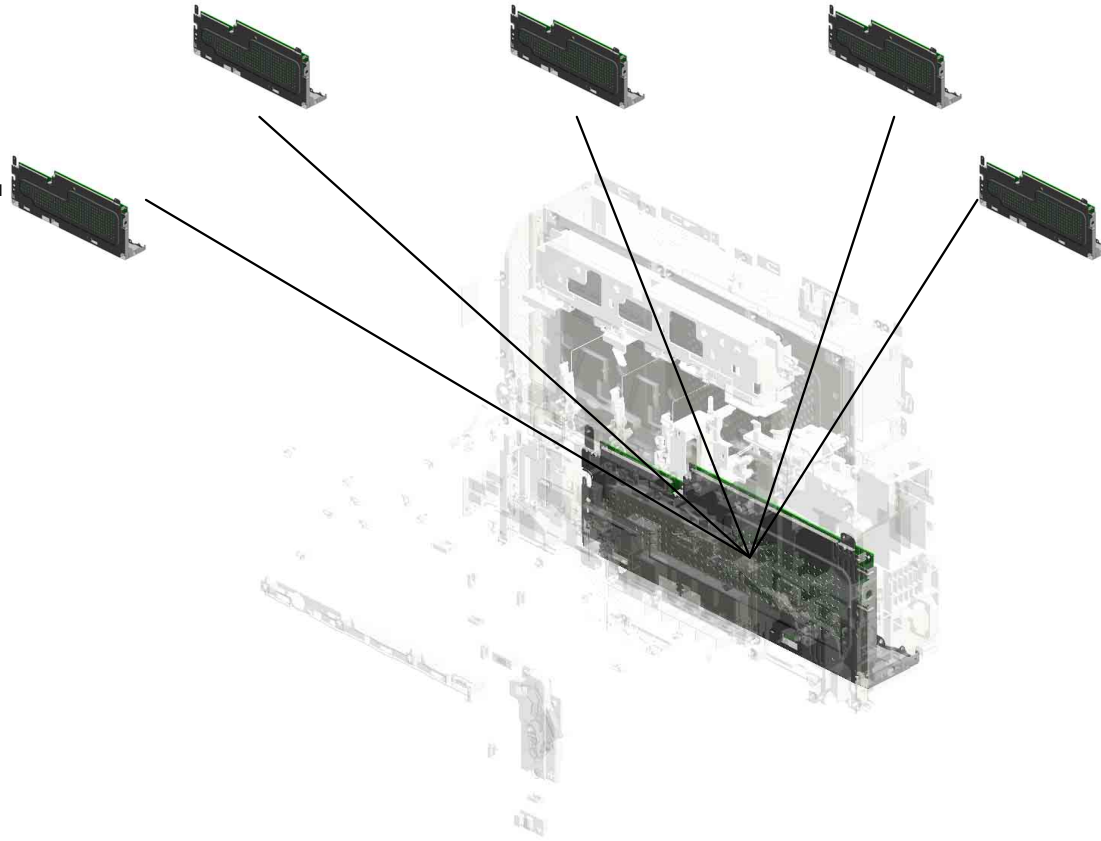
U016 S001  
AZ240291  
(-EU,-AA,-KOR):POWER SUP  
PLY UNIT:248W

U016 S002  
AZ240291  
(-EU,-AA,-KOR):POWER SUP  
PLY UNIT:248W

U016 S003  
AZ240290  
(-NA,-TWN):POWER SUPPLY  
UNIT:248W

U016 S005  
AZ240292  
(-CHN):POWER SUPPLY UNI  
T

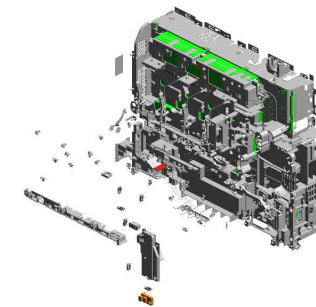
U016 S004  
AZ240290  
(-NA,-TWN):POWER SUPPLY  
UNIT:248W



U001	U002	U003	U004	U005	U006	U007	U008	U009	U010	U011	U012	U013	U014	U015	U016	U017	U018	U019
------	------	------	------	------	------	------	------	------	------	------	------	------	------	------	------	------	------	------

# U016 ELECTRICAL

- 1.03530060N BIND SCREW - M3 X6
- 4.04503035N (x2) TAPPING SCREW: 3X35
- 23.AA143848 (x4) STEPPED SCREW - M3
- 24.AA161125 (x4) RUBBER CUSHION
- 9.11050348 (x2) CLAMP



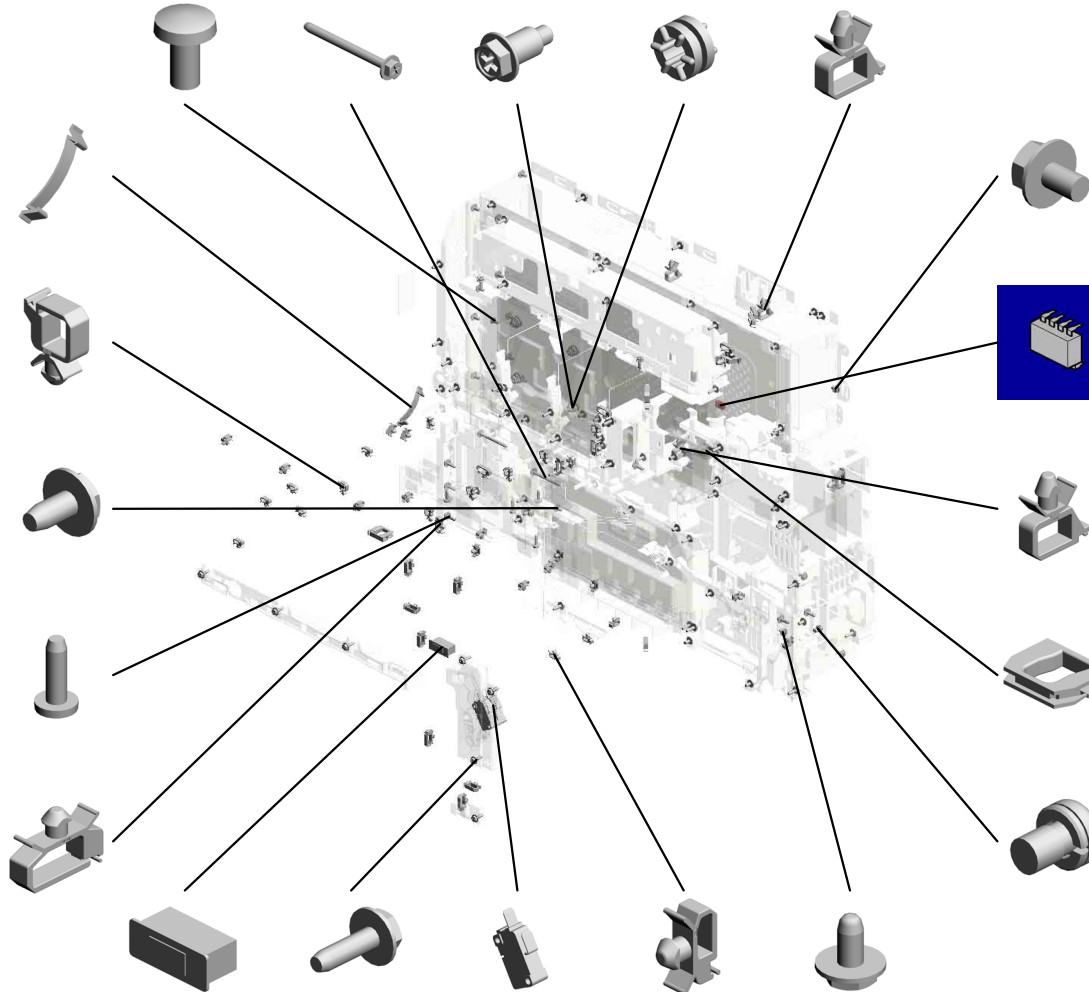
14.11050545  
CLAMP:FCR-30

13.11050534  
(x3)  
CLAMP

2.03603006N  
(x38)  
SCREW - M3X6

6.04583010N  
(x10)  
HEXAGON HEAD TAPPING SCREW:3 X10

12.11050516  
(x16)  
CLAMP



7.08010231  
HEXAGONAL HEAD BOLT W/WASHER: M3X6

11.11050511  
HARNESS CLAMP - LWS-0306ZC

19.16072298  
FERRITE CORE:K3 FF 33.50X8.00X6.50X1.30

18.14077667  
EEPROM:BR24T12 8-W

10.11050508  
(x4)  
HARNESS CLAMP - LWS-0711

20.16072358  
FERRITE CORE:K3 FF 33.50X20.00X6.50X1.30

16.11050724  
(x2)  
CLAMPS:WES-1210

2.03603006N(x 1)  
SCREW - M3X6

22.AA143592  
SCREW- M4X6

25.AG070513  
MAGNET CATCH

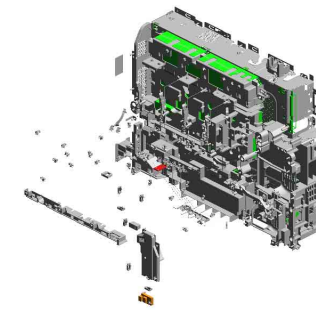
3.04503010N  
(x51)  
TAPPING SCREW - M3X10

17.12042612  
(x2)  
MICRO SWITCH:D3 V-16506-3C25

11.11050511  
(x28)  
HARNESS CLAMP - LWS-0306ZC

5.04543006Q  
TAPPING SCREW - M3X6

# U016 ELECTRICAL



- 33.D0095891 LEFT RAIL - FAX CONTROL UNIT
- 34.D0095899 RIGHT RAIL - SMALL
- 31.AZ320212 POWER PACK:CB
- 53.D1175883 WIRE:HIGH VOLTAGE:DEVELOPMENT:C.CONNECTING
- 37.D1175303 THERMISTOR

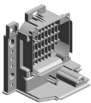
38.D1175864  
GUIDE:HARNESS:FC:OPTICAL WRITING UNIT



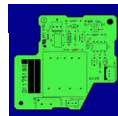
54.D1175886  
DUCT:POWER SUPPLY UNIT:ENTRANCE



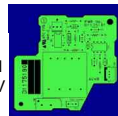
57.D1175891  
GRIP:LEFT REAR



35.D1175180  
(x2)  
(-NA,-TWN):PCB:ACVB:100V



36.D1175190  
(x3)  
(-EU,-AA,-KOR,-CHN):PCB:ACVB:200V



26.AW140026  
TEMPERATURE & HUMIDITY SENSOR



60.D1175894  
LEVER:FRONT:SAFETY SWITCH



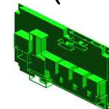
58.D1175892  
BRACKET:SWIVEL:SAFETY SWITCH



59.D1175893  
LEVER:RIGHT:SAFETY SWITCH



32.AZ320213  
POWER PACK:T1T2



52.D1175882  
WIRE:HIGH VOLTAGE:DEVELOPMENT:BK:CONNECTING



55.D1175887  
DUCT:POWER SUPPLY UNIT:EXHAUST



39.D1175867  
GUIDE:HARNESS:POWER SUPPLY UNIT



27.AW500023  
PUSH SWITCH

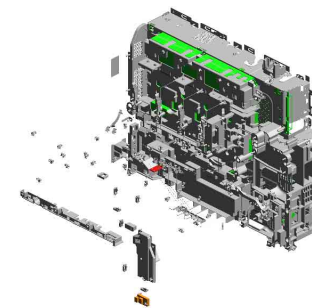


56.D1175890  
GRIP:RIGHT REAR



# U016 ELECTRICAL

- 82.D2025818 BRACKET:HDD
- 87.M4445201 HDD:320GB:AQUARIUS
- 81.D1969590 NVRAM
- 70.D1175915 (x4) GUIDE:WIRE:HIGH VOLTAGE:CHARGE
- 76.D1965101 (D196/D214/D236): PCB:BICU:ASS'Y 201611-05 X/O



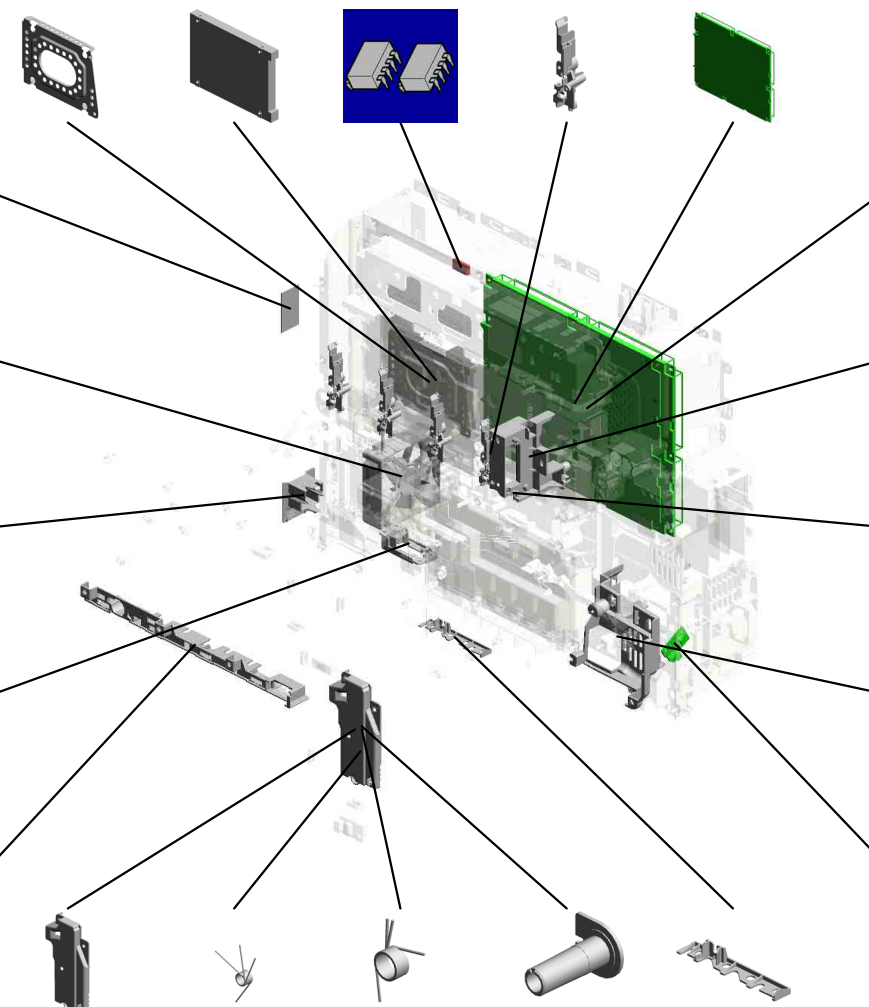
74.D1175945  
SPACER:FFC

86.GX645734  
FAN MOTOR:MM80  
DC24V 3.12W

69.D1175912  
BRACKET:SWITCH  
:HEATER

68.D1175908  
BRACKET:DRAWER:  
OPTION TRAY

78.D1965930  
COVER:HARNESS:  
PCU:FRONT



83.D2195101  
(x4)  
(D219/D220):PCB:  
BICU:ASS'Y  
201612-01 X/O

66.D1175904  
BRACKET:DRAWER:  
FUSING

71.D1175916  
(x2)  
STEPPED SCREW:  
M3X8:SECOND KIND

73.D1175925  
GUIDE:HARNESS:  
PAPER FEED DRIVE

75.D1775686  
PCB:DCSW  
201608-01 O/O

65.D1175903  
INNER COVER:SAFETY  
SWITCH

63.D1175901  
TORSION SPRING:  
LEVER:RIGHT:SAFETY  
SWITCH

61.D1175895  
TORSION SPRING:  
SAFETY SWITCH

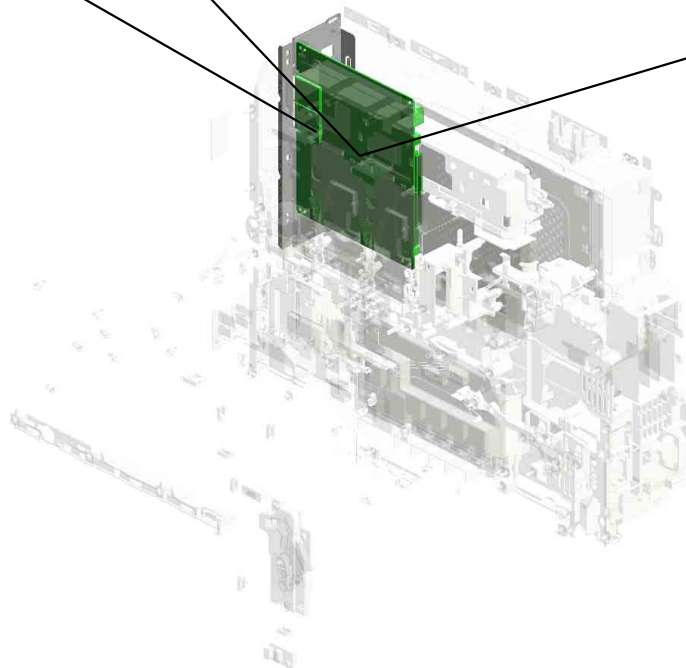
64.D1175902  
COLLAR:SHAFT:SAFETY  
SWITCH

72.D1175924  
STOPPER:WIRE:HIGH  
VOLTAGE:TRANSFER

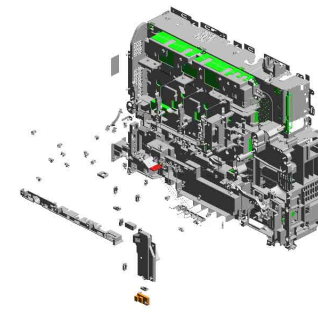
# U016 ELECTRICAL

88.D1965853  
BRACKET:INTERF  
ACE:JL2

91.D3AW5675  
(D196/D214/D236):  
PCB:CTL\_JL2\_S:2N  
D  
201901-01 O/O



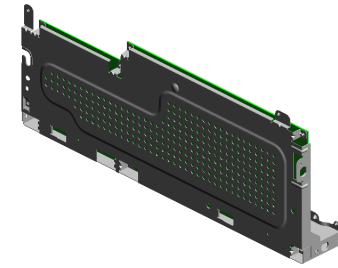
92.D3AW5674  
(x4)  
(D219/D220):PCB:C  
TL\_JL2\_S:2ND  
201902-01 O/O



U001	U002	U003	U004	U005	U006	U007	U008	U009	U010	U011	U012	U013	U014	U015	U016	U017	U018	U019
------	------	------	------	------	------	------	------	------	------	------	------	------	------	------	------	------	------	------

U016\_S001  
(-EU,-AA,-KOR):POWER SUPPLY UNIT:248W

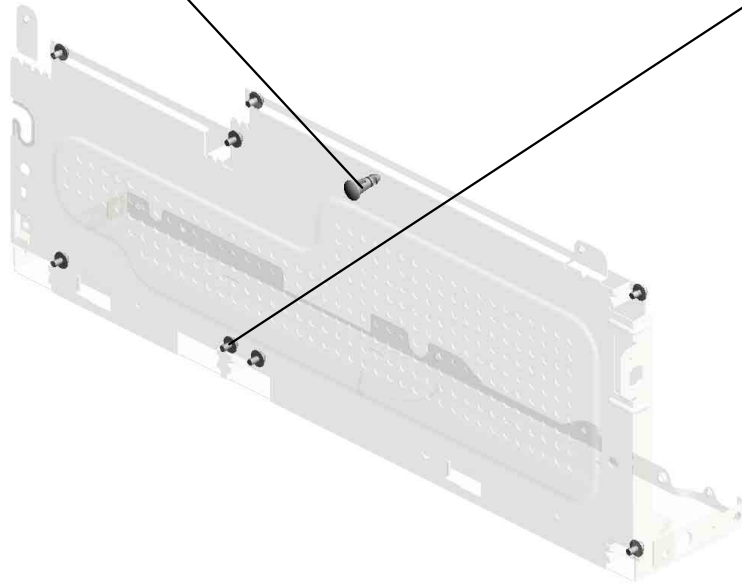
15.11050637  
HARNESS CLAMP -  
KGLS-10RT(V0)



29.AZ240291  
(-EU,-AA,-KOR):PO  
WER SUPPLY UNI  
T:248W



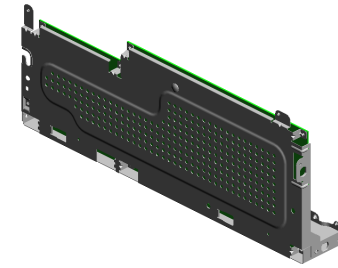
8.09543006N  
(x8)  
SCREW - M3X6



U001	U002	U003	U004	U005	U006	U007	U008	U009	U010	U011	U012	U013	U014	U015	U016	U017	U018	U019
------	------	------	------	------	------	------	------	------	------	------	------	------	------	------	------	------	------	------

U016\_S002  
(-EU,-AA,-KOR):POWER SUPPLY UNIT:248W

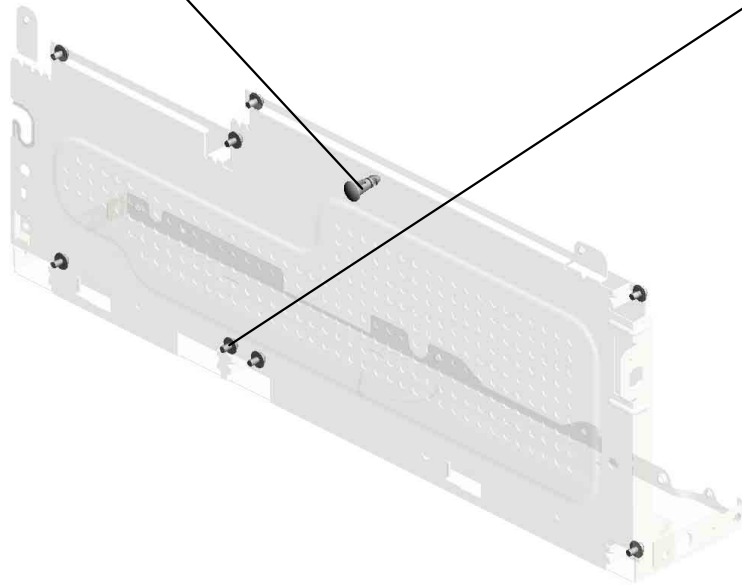
15.11050637  
HARNESS CLAMP -  
KGLS-10RT(V0)



29.AZ240291  
(-EU,-AA,-KOR):PO  
WER SUPPLY UNI  
T:248W



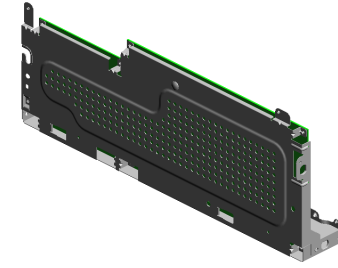
8.09543006N  
(x8)  
SCREW - M3X6



U001	U002	U003	U004	U005	U006	U007	U008	U009	U010	U011	U012	U013	U014	U015	U016	U017	U018	U019
------	------	------	------	------	------	------	------	------	------	------	------	------	------	------	------	------	------	------

U016\_S003  
(-NA,-TWN):POWER SUPPLY UNIT:248W

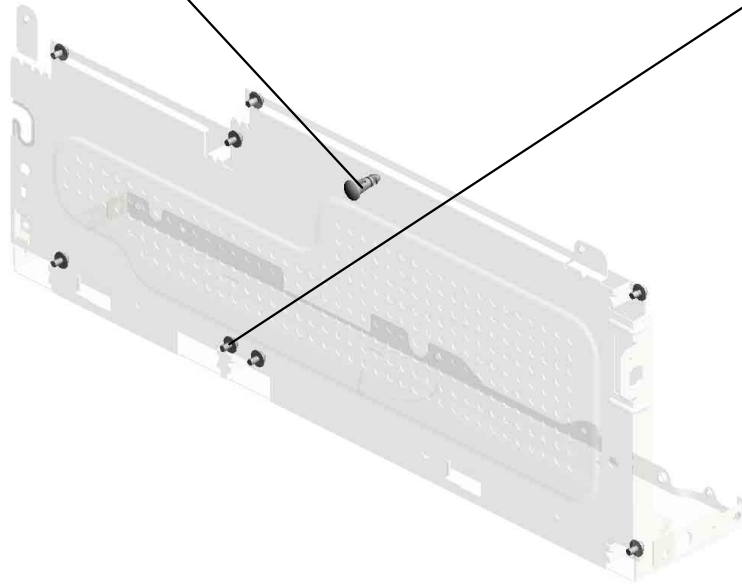
15.11050637  
HARNESS CLAMP -  
KGLS-10RT(V0)



28.AZ240290  
(-NA,-TWN):POWE  
R SUPPLY UNIT:24  
8W



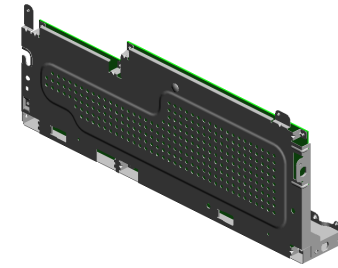
8.09543006N  
(x8)  
SCREW - M3X6



U001	U002	U003	U004	U005	U006	U007	U008	U009	U010	U011	U012	U013	U014	U015	U016	U017	U018	U019
------	------	------	------	------	------	------	------	------	------	------	------	------	------	------	------	------	------	------

U016\_S004  
(-NA,-TWN):POWER SUPPLY UNIT:248W

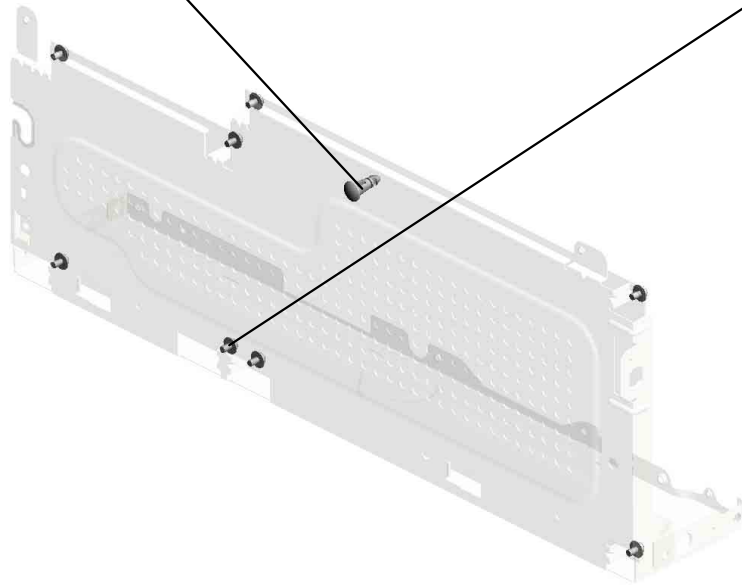
15.11050637  
HARNESS CLAMP -  
KGLS-10RT(V0)



28.AZ240290  
(-NA,-TWN):POWE  
R SUPPLY UNIT:24  
8W



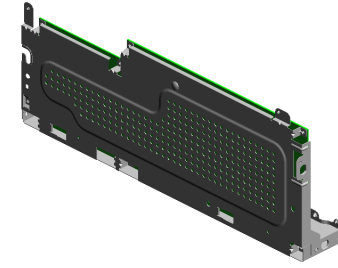
8.09543006N  
(x8)  
SCREW - M3X6



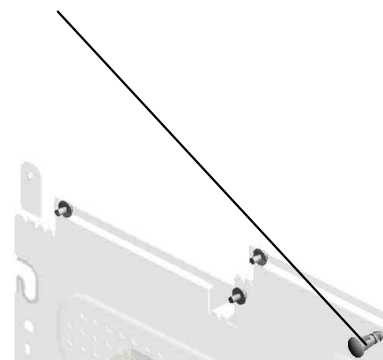
U001	U002	U003	U004	U005	U006	U007	U008	U009	U010	U011	U012	U013	U014	U015	U016	U017	U018	U019
------	------	------	------	------	------	------	------	------	------	------	------	------	------	------	------	------	------	------

U016\_S005  
(-CHN):POWER SUPPLY UNIT

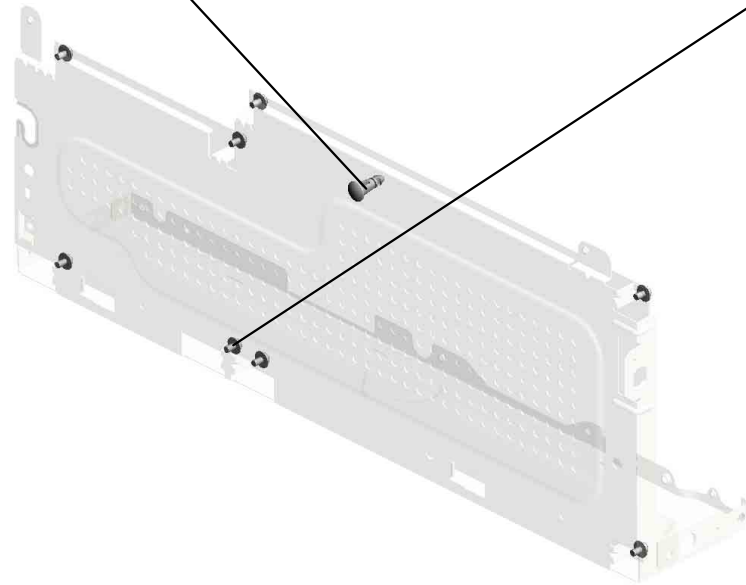
15.11050637  
HARNESS CLAMP -  
KGLS-10RT(V0)



30.AZ240292  
(-CHN):POWER SU  
PLY UNIT



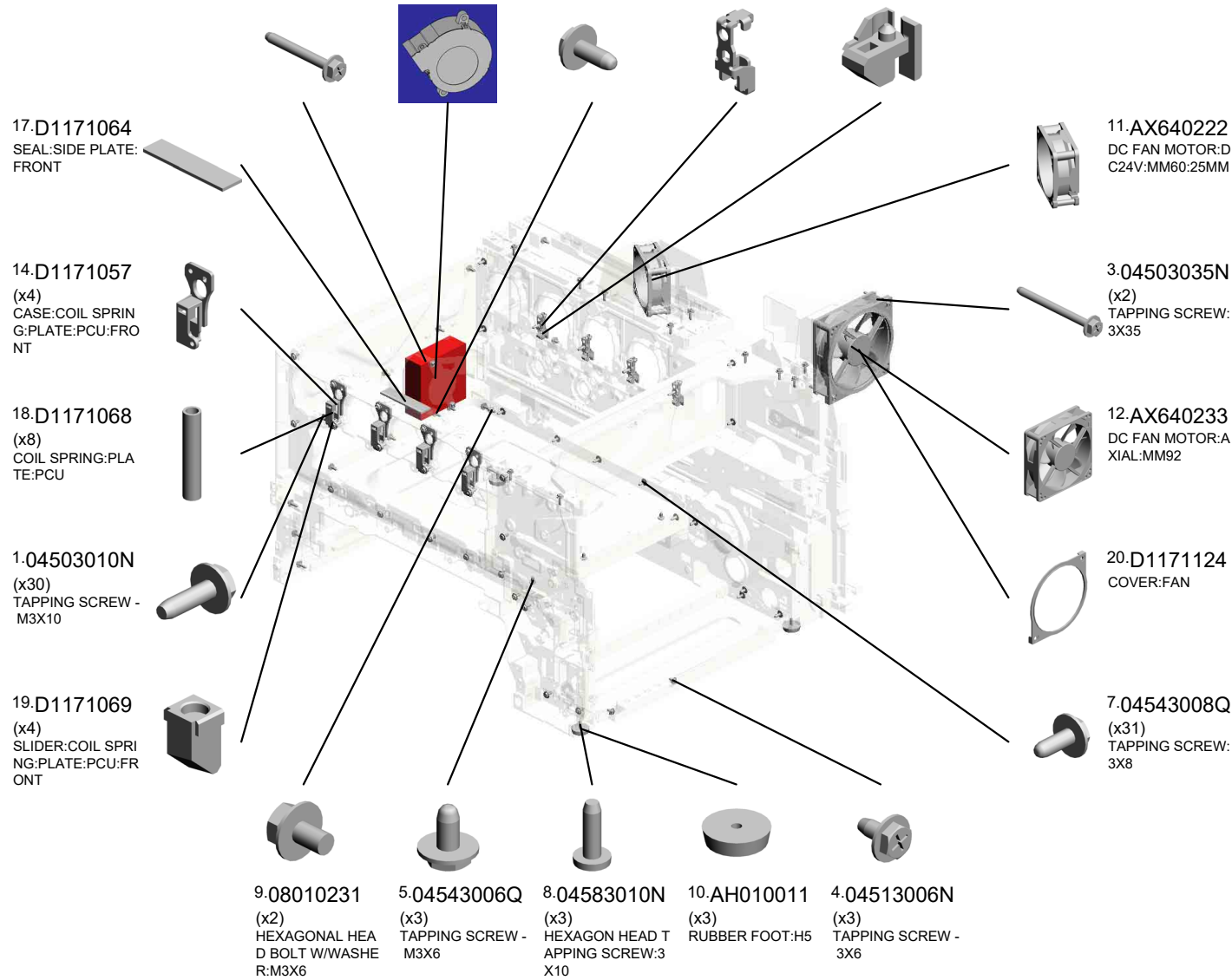
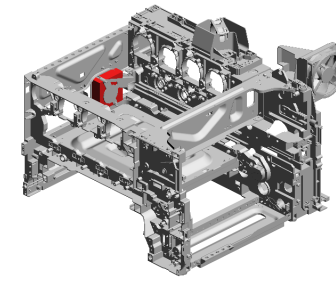
8.09543006N  
(x8)  
SCREW - M3X6



U001	U002	U003	U004	U005	U006	U007	U008	U009	U010	U011	U012	U013	U014	U015	U016	U017	U018	U019
------	------	------	------	------	------	------	------	------	------	------	------	------	------	------	------	------	------	------

# U017 MAIN FRAME

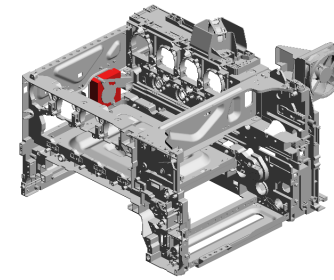
- 2.04503025N (x2) TAPPING SCREW: 3X25
- 13.AX640234 FAN:SIROCCO:DC 24V:60MM
- 6.04543008N (x2) TAPPING SCREW: ROUND POINT:3X8
- 15.D1171058 (x4) CASE:COIL SPRING:PLATE:PCU:REAR
- 16.D1171059 (x4) SLIDER:COIL SPRING:PLATE:PCU:REAR



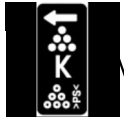
U001	U002	U003	U004	U005	U006	U007	U008	U009	U010	U011	U012	U013	U014	U015	U016	U017	U018	U019
------	------	------	------	------	------	------	------	------	------	------	------	------	------	------	------	------	------	------

# U017 MAIN FRAME

27.D1961036 (x2) SEAL:COVER:LEFT  
 30.D1961127 DUCT:LEFT:VACUUM  
 31.D1961128 COVER:DUCT:LEFT:VACUUM



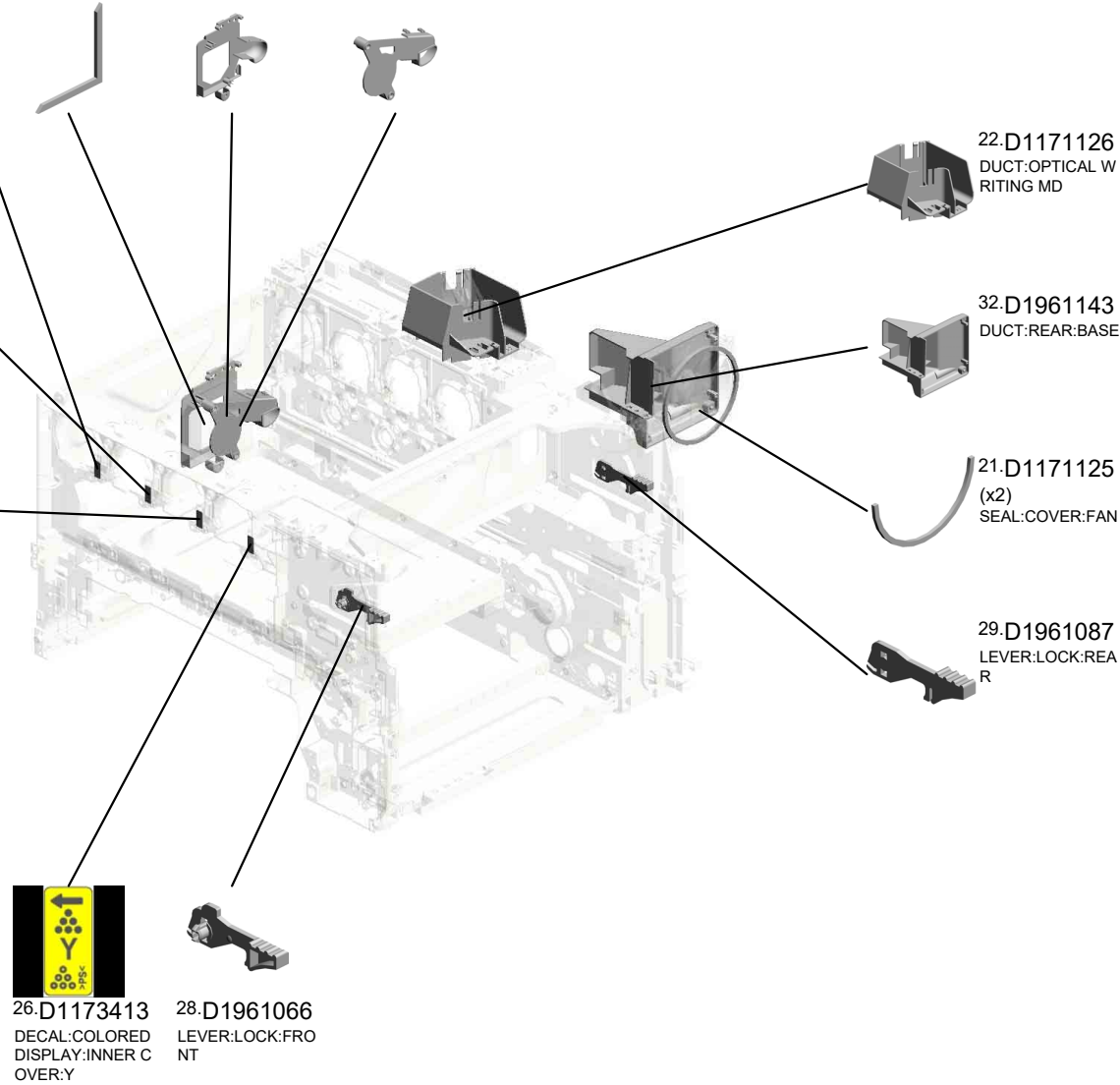
23.D1173410  
 DECAL:COLORED  
 DISPLAY:INNER COVER:K



24.D1173411  
 DECAL:COLORED  
 DISPLAY:INNER COVER:C



25.D1173412  
 DECAL:COLORED  
 DISPLAY:INNER COVER:M



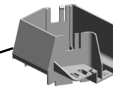
26.D1173413  
 DECAL:COLORED  
 DISPLAY:INNER COVER:Y



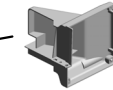
28.D1961066  
 LEVER:LOCK:FRONT



22.D1171126  
 DUCT:OPTICAL WRITING MD



32.D1961143  
 DUCT:REAR:BASE



21.D1171125 (x2)  
 SEAL:COVER:FAN



29.D1961087  
 LEVER:LOCK:REAR



# U018.OPTION

U018\_S001  
D1175097  
(-EU,-AA,-KOR,-CHN):HEATER:ASS'Y

U018\_S002  
D1175097  
(-EU,-AA,-KOR,-CHN):HEATER:ASS'Y

U018\_S003  
D1175097  
(-EU,-AA,-KOR,-CHN):HEATER:ASS'Y

U018\_S005  
D1175091  
(-NA,-TWN):HEATER:ASS'Y

U018\_S004  
D1175091  
(-NA,-TWN):HEATER:ASS'Y

U018\_S006  
D5730401  
(-EU,-AA,-KOR,-CHN):HEATER:DEHUMIDIFIER

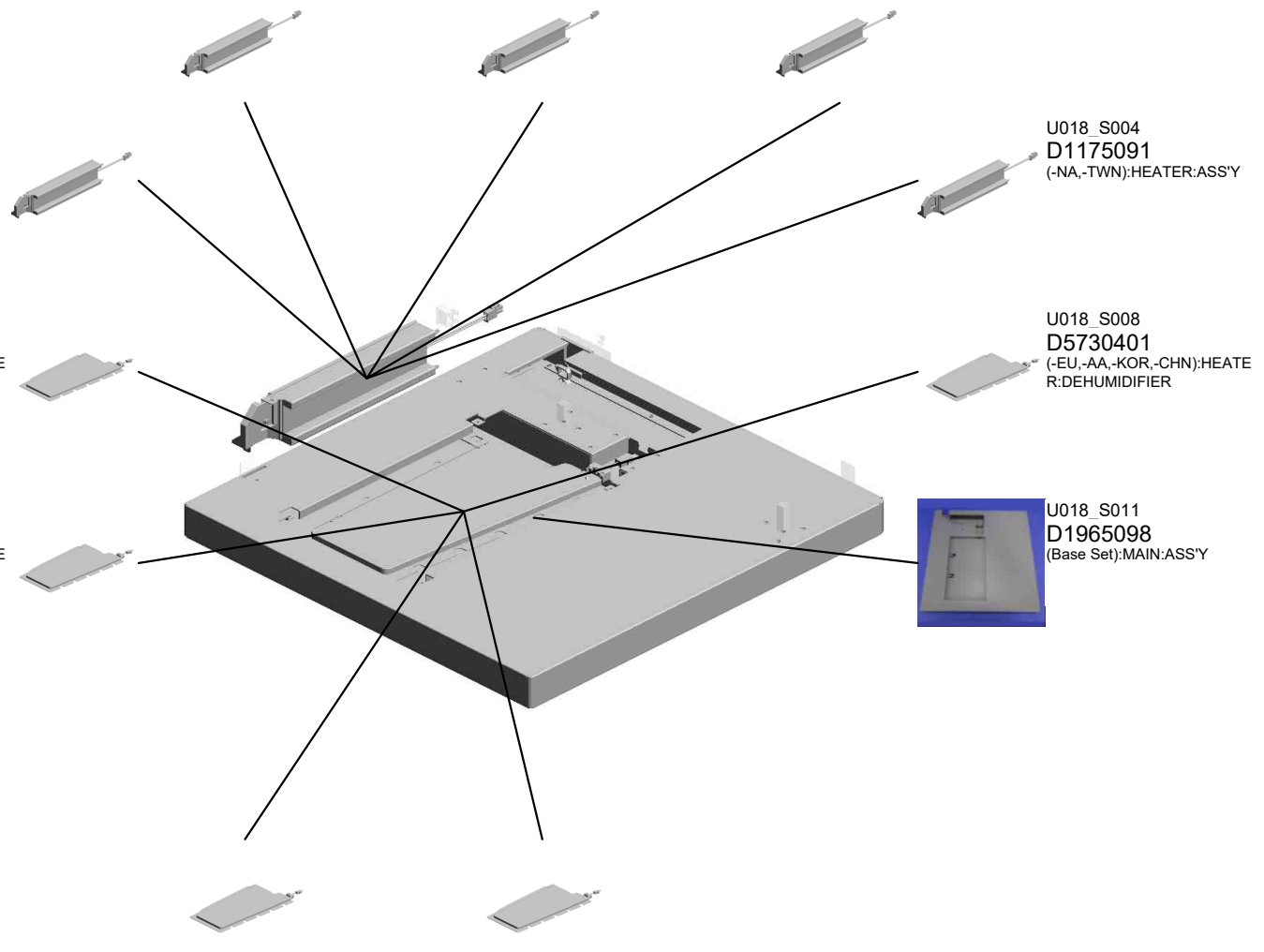
U018\_S008  
D5730401  
(-EU,-AA,-KOR,-CHN):HEATER:DEHUMIDIFIER

U018\_S007  
D5730401  
(-EU,-AA,-KOR,-CHN):HEATER:DEHUMIDIFIER

U018\_S011  
D1965098  
(Base Set):MAIN:ASS'Y

U018\_S009  
D5730400  
(-NA,-TWN):HEATER:DEHUMIDIFIER

U018\_S010  
D5730400  
(-NA,-TWN):HEATER:DEHUMIDIFIER

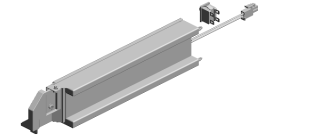


U001	U002	U003	U004	U005	U006	U007	U008	U009	U010	U011	U012	U013	U014	U015	U016	U017	U018	U019
------	------	------	------	------	------	------	------	------	------	------	------	------	------	------	------	------	------	------

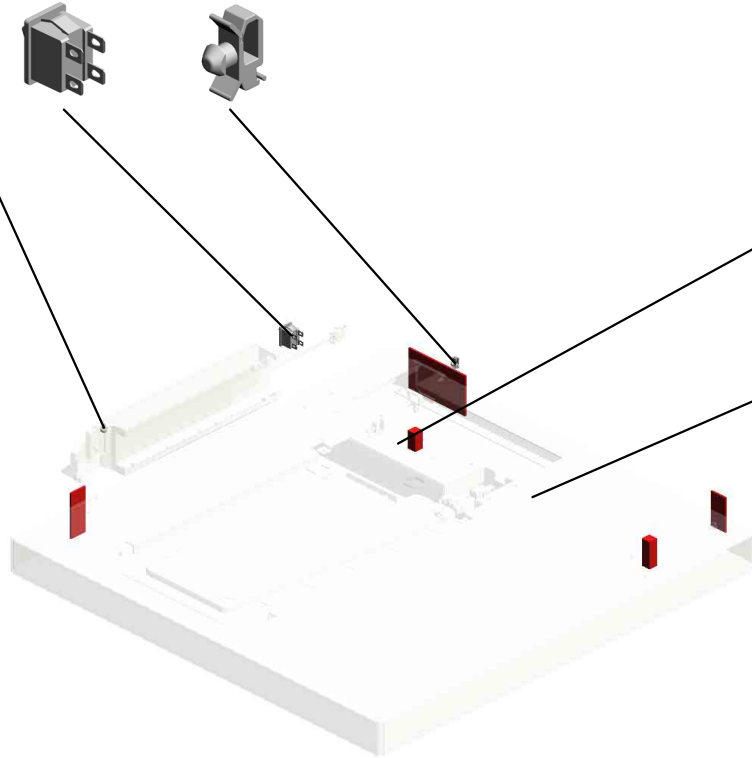
# U018 OPTION

9.12042570 (x5)  
ROCKER SWITCH:  
SDDJE13200

7.11050511 (x5)  
HARNESS CLAMP -  
LWS-0306ZC



5.08010231  
(x5)  
HEXAGONAL HEAD BOLT W/WASHER:  
R:M3X6

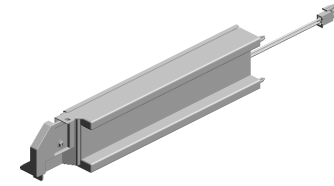


18.D1965093  
(Bracket Set):BRACKET:  
ASSY

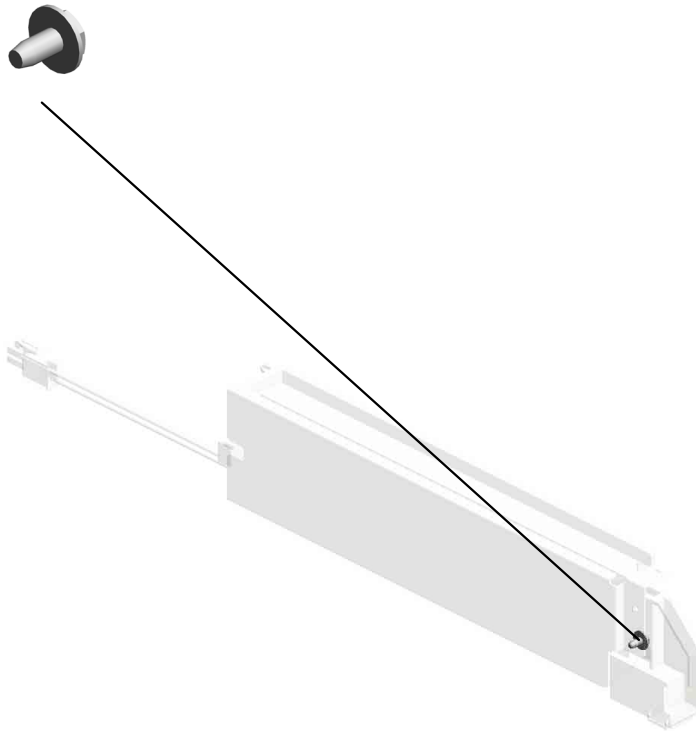
17.D1965092  
(Pin Set):STUD:ASSY

U018\_S001  
(-EU,-AA,-KOR,-CHN):HEATER:ASS'Y

2-03603006N  
SCREW - M3X6



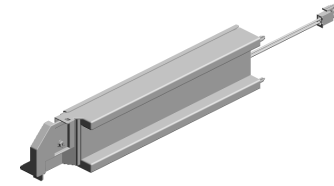
11-D1175097  
(-EU,-AA,-KOR,-CH  
N):HEATER:ASSY



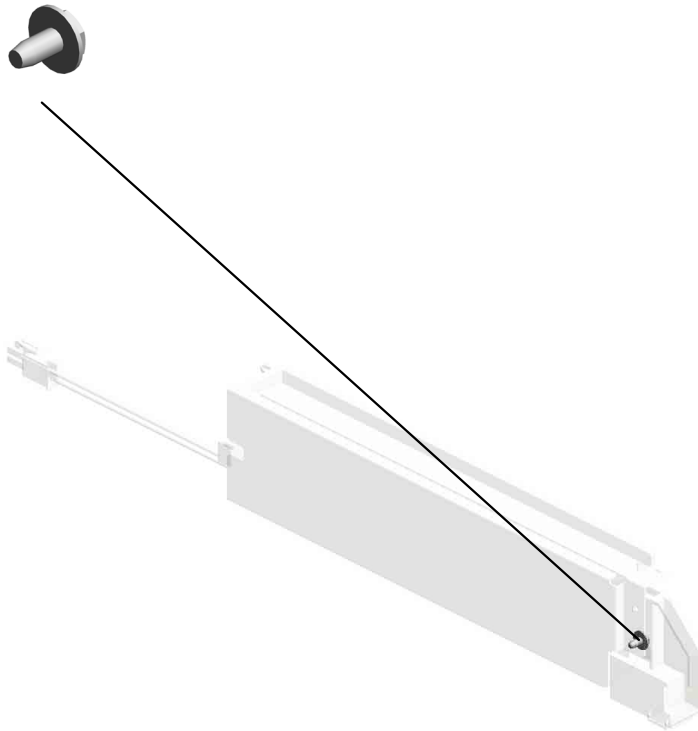
U001	U002	U003	U004	U005	U006	U007	U008	U009	U010	U011	U012	U013	U014	U015	U016	U017	U018	U019
------	------	------	------	------	------	------	------	------	------	------	------	------	------	------	------	------	------	------

U018\_S002  
(-EU,-AA,-KOR,-CHN):HEATER:ASS'Y

2-03603006N  
SCREW - M3X6



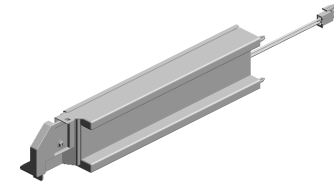
11-D1175097  
(-EU,-AA,-KOR,-CHN):HEATER:ASSY



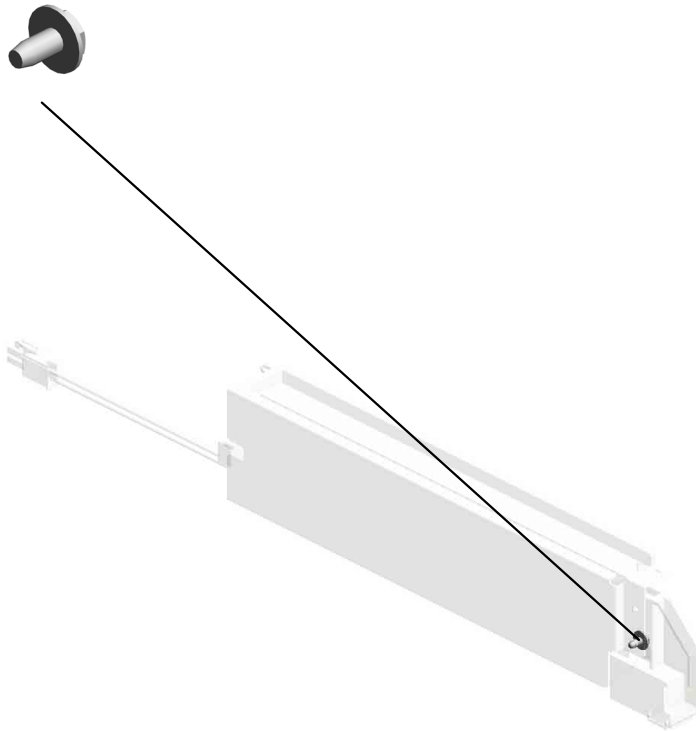
U001	U002	U003	U004	U005	U006	U007	U008	U009	U010	U011	U012	U013	U014	U015	U016	U017	U018	U019
------	------	------	------	------	------	------	------	------	------	------	------	------	------	------	------	------	------	------

U018\_S003  
(-EU,-AA,-KOR,-CHN):HEATER:ASS'Y

2-03603006N  
SCREW - M3X6



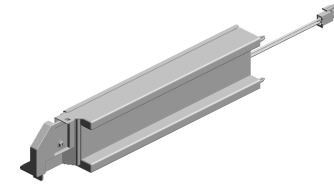
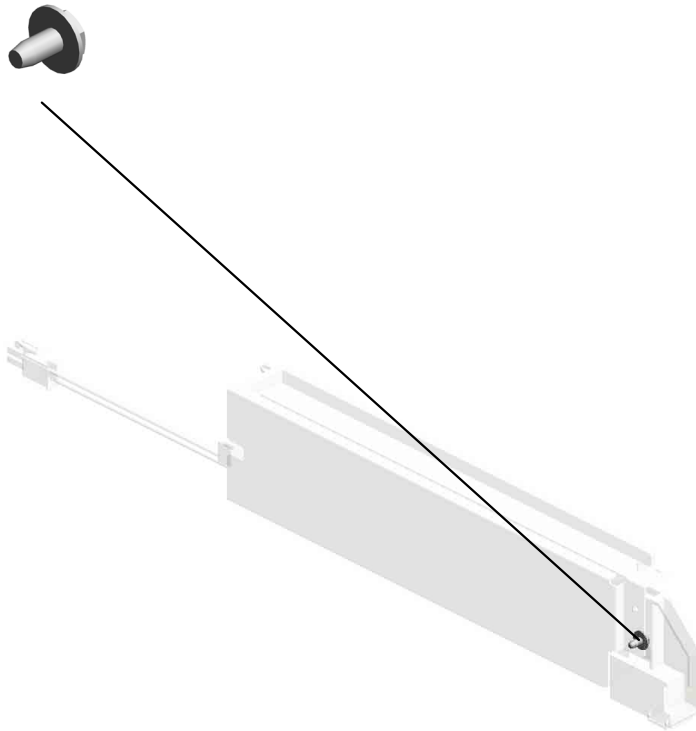
11-D1175097  
(-EU,-AA,-KOR,-CH  
N):HEATER:ASSY



U001	U002	U003	U004	U005	U006	U007	U008	U009	U010	U011	U012	U013	U014	U015	U016	U017	U018	U019
------	------	------	------	------	------	------	------	------	------	------	------	------	------	------	------	------	------	------

U018\_S004  
(-NA,-TWN):HEATER:ASS'Y

2-03603006N  
SCREW - M3X6

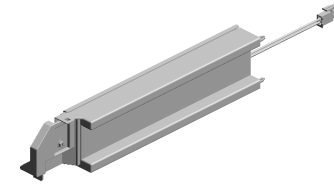


10.D1175091  
(-NA,-TWN):HEATE  
R:ASS'Y

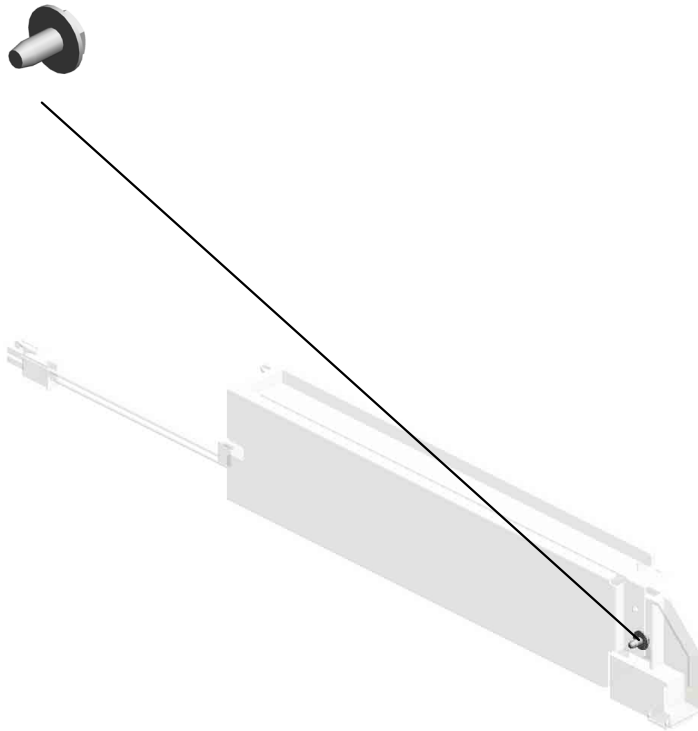
U001	U002	U003	U004	U005	U006	U007	U008	U009	U010	U011	U012	U013	U014	U015	U016	U017	U018	U019
------	------	------	------	------	------	------	------	------	------	------	------	------	------	------	------	------	------	------

U018\_S005  
(-NA,-TWN):HEATER:ASS'Y

2-03603006N  
SCREW - M3X6



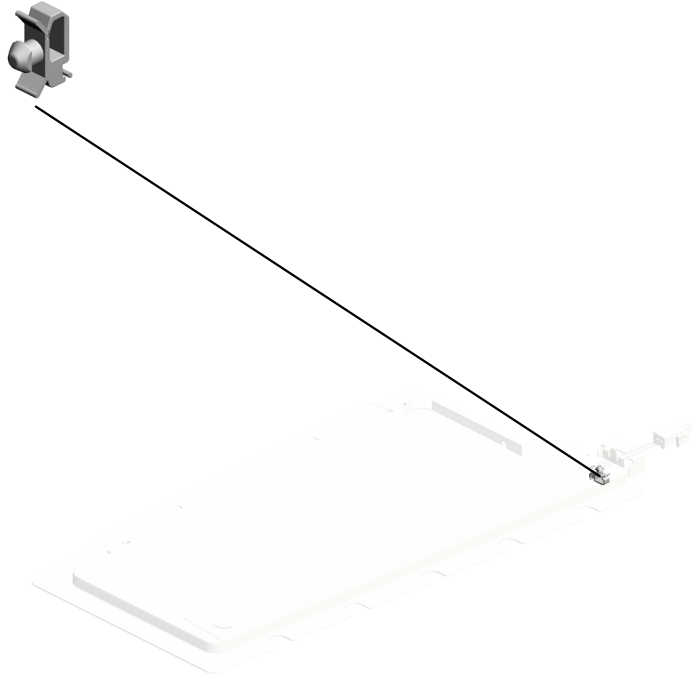
10.D1175091  
(-NA,-TWN):HEATE  
R:ASS'Y



U001	U002	U003	U004	U005	U006	U007	U008	U009	U010	U011	U012	U013	U014	U015	U016	U017	U018	U019
------	------	------	------	------	------	------	------	------	------	------	------	------	------	------	------	------	------	------

U018\_S006  
(-EU,-AA,-KOR,-CHN):HEATER:DEHUMIDIFIER

7.11050511  
HARNESS CLAMP -  
LWS-0306ZC



14.D5730401  
(-EU,-AA,-KOR,-CH  
N):HEATER:DEHU  
MIDIFIER

- 2.03603006N(x11)  
SCREW - M3X6
- 3.03603012N(x 1)  
SCREW:M3X12
- 4.04503008N(x 3)  
TAPPING SCREW - M3X8

U001	U002	U003	U004	U005	U006	U007	U008	U009	U010	U011	U012	U013	U014	U015	U016	U017	U018	U019
------	------	------	------	------	------	------	------	------	------	------	------	------	------	------	------	------	------	------

U018\_S007  
(-EU,-AA,-KOR,-CHN):HEATER:DEHUMIDIFIER

7.11050511  
HARNESS CLAMP -  
LWS-0306ZC



14.D5730401  
(-EU,-AA,-KOR,-CH  
N);HEATER:DEHU  
MIDIFIER

- 2.03603006N(x11)  
SCREW - M3X6
- 3.03603012N(x 1)  
SCREW:M3X12
- 4.04503008N(x 3)  
TAPPING SCREW - M3X8

U001	U002	U003	U004	U005	U006	U007	U008	U009	U010	U011	U012	U013	U014	U015	U016	U017	U018	U019
------	------	------	------	------	------	------	------	------	------	------	------	------	------	------	------	------	------	------

U018\_S008  
(-EU,-AA,-KOR,-CHN):HEATER:DEHUMIDIFIER

7.11050511  
HARNESS CLAMP -  
LWS-0306ZC



14.D5730401  
(-EU,-AA,-KOR,-CH  
N):HEATER:DEHU  
MIDIFIER

- 2.03603006N(x11)  
SCREW - M3X6
- 3.03603012N(x 1)  
SCREW:M3X12
- 4.04503008N(x 3)  
TAPPING SCREW - M3X8

U001	U002	U003	U004	U005	U006	U007	U008	U009	U010	U011	U012	U013	U014	U015	U016	U017	U018	U019
------	------	------	------	------	------	------	------	------	------	------	------	------	------	------	------	------	------	------

U018\_S009  
(-NA.-TWN):HEATER:DEHUMIDIFIER

7.11050511  
HARNESS CLAMP -  
LWS-0306ZC



13.D5730400  
(-NA.-TWN):HEATE  
R:DEHUMIDIFIER

- 2.03603006N(x11)  
SCREW - M3X6
- 3.03603012N(x 1)  
SCREW:M3X12
- 4.04503008N(x 3)  
TAPPING SCREW - M3X8

U001	U002	U003	U004	U005	U006	U007	U008	U009	U010	U011	U012	U013	U014	U015	U016	U017	U018	U019
------	------	------	------	------	------	------	------	------	------	------	------	------	------	------	------	------	------	------

U018\_S010  
(-NA.-TWN):HEATER:DEHUMIDIFIER

7.11050511  
HARNESS CLAMP -  
LWS-0306ZC



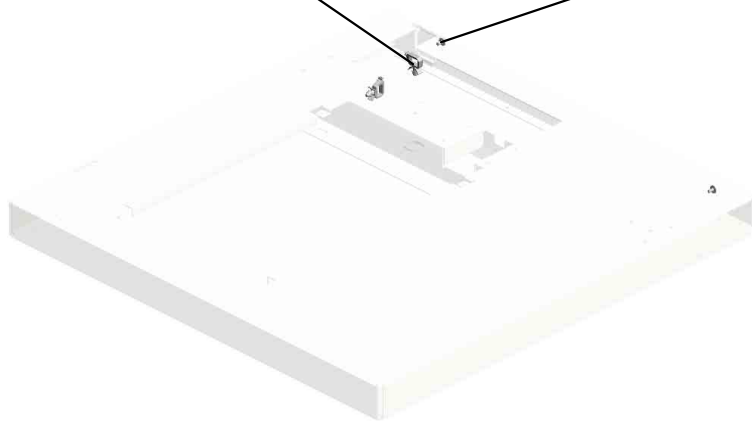
13.D5730400  
(-NA.-TWN):HEATE  
R:DEHUMIDIFIER

- 2.03603006N(x11)  
SCREW - M3X6
- 3.03603012N(x 1)  
SCREW:M3X12
- 4.04503008N(x 3)  
TAPPING SCREW - M3X8

U001	U002	U003	U004	U005	U006	U007	U008	U009	U010	U011	U012	U013	U014	U015	U016	U017	U018	U019
------	------	------	------	------	------	------	------	------	------	------	------	------	------	------	------	------	------	------

U018\_S011  
(Base Set):MAIN:ASS'Y

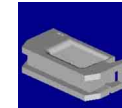
6.11050508  
(x2)  
HARNESS CLAMP -  
LWS-0711



2.03603006N  
(x2)  
SCREW - M3X6

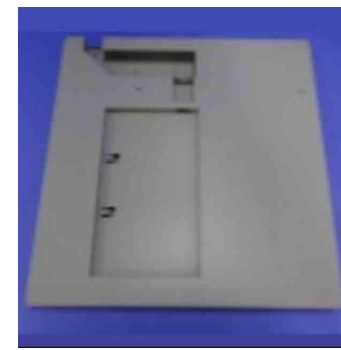


6.11050508  
HARNESS CLAMP -  
LWS-0711



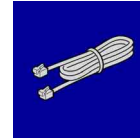
8.11050723  
CLAMPS:WES-050  
7

1.03130060N(x 5)  
SCREW - M3X6  
2.03603006N(x28)  
SCREW - M3X6



19.D1965098  
(Base Set):MAIN:AS  
SY

# U019.ACCESSORIES

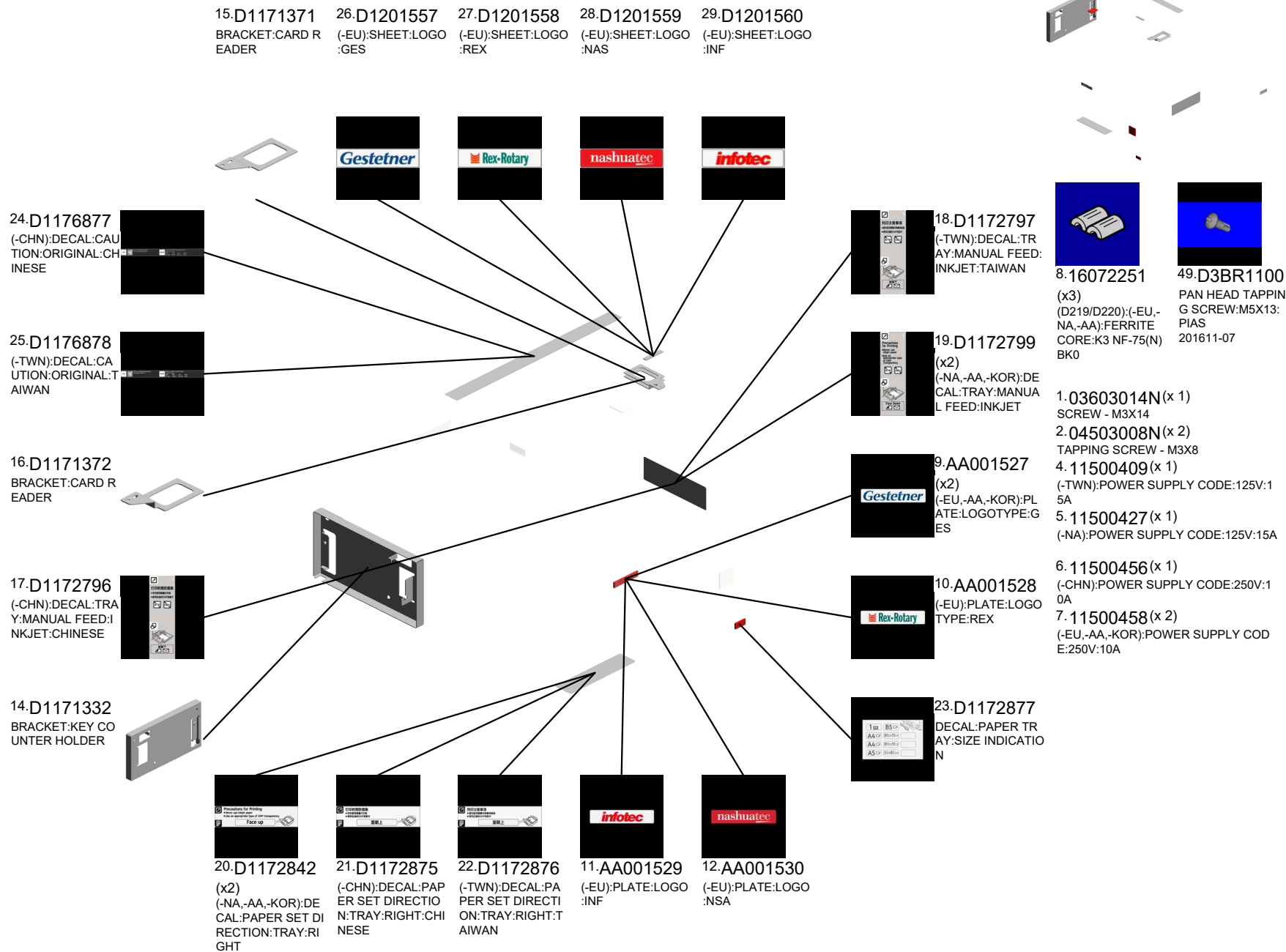


U019\_S001  
D3A95262  
(-NA):MODULER CORD:COR  
E

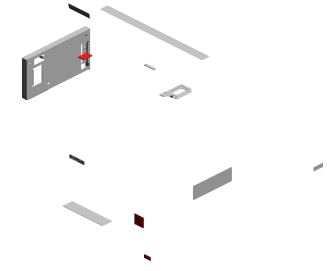
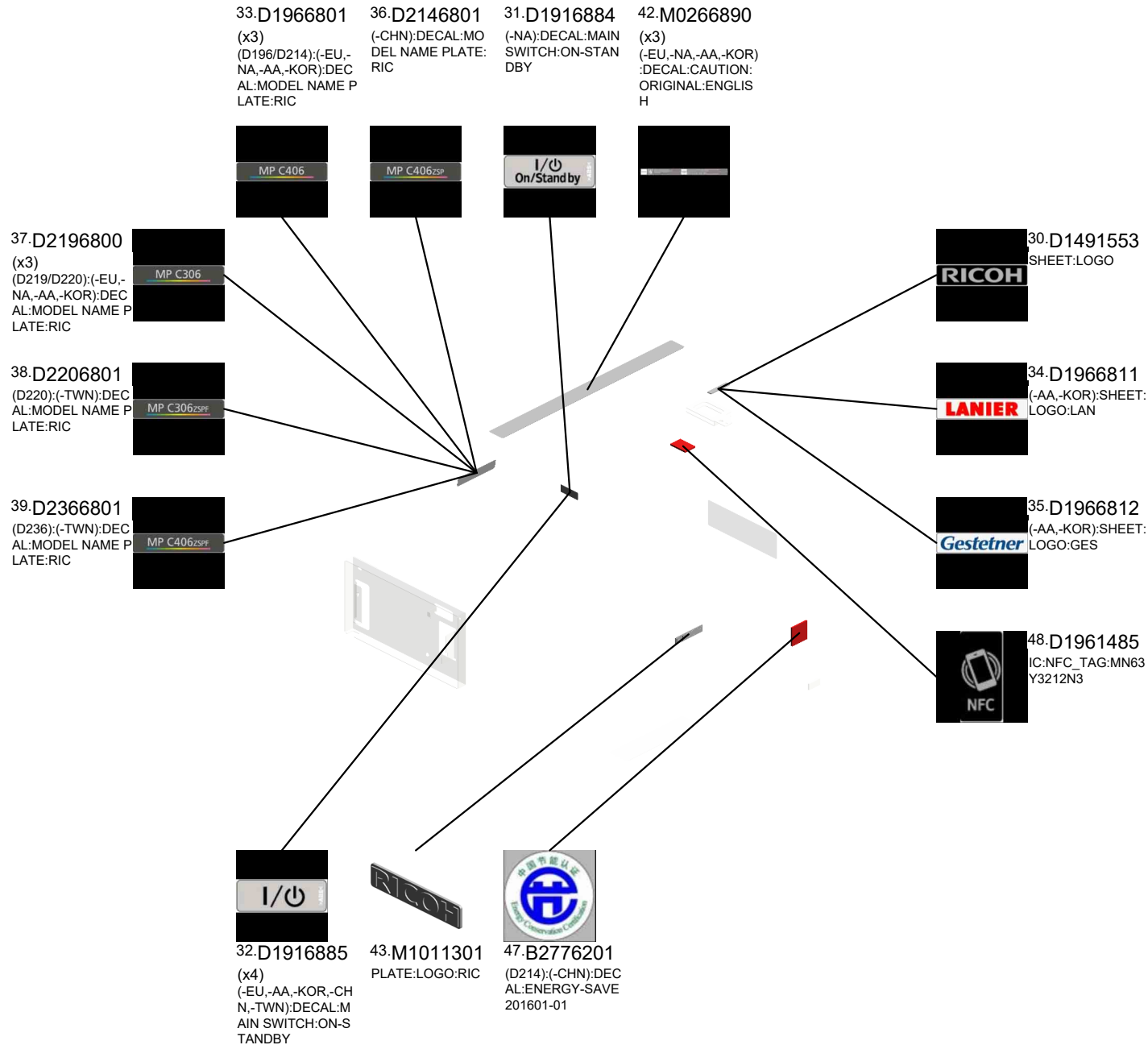


U001	U002	U003	U004	U005	U006	U007	U008	U009	U010	U011	U012	U013	U014	U015	U016	U017	U018	U019
------	------	------	------	------	------	------	------	------	------	------	------	------	------	------	------	------	------	------

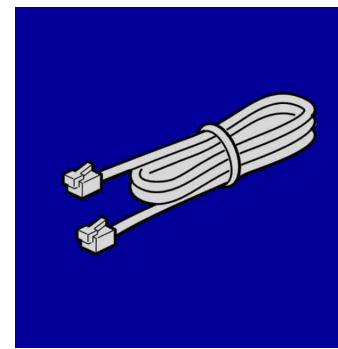
# U019 ACCESSORIES



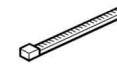
# U019 ACCESSORIES



U019\_S001  
(-NA):MODULER CORD:CORE



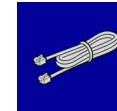
40.D3A95262  
(-NA):MODULER C  
ORD:CORE



3.11050042  
WIRE BAND



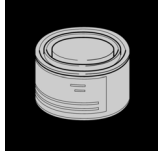
8.16072251  
(D219/D220):(-EU,-  
NA,-AA):FERRITE  
CORE:K3 NF-75(N)  
BK0



41.H5235350  
TELEPHONE CABL  
E

U001	U002	U003	U004	U005	U006	U007	U008	U009	U010	U011	U012	U013	U014	U015	U016	U017	U018	U019
------	------	------	------	------	------	------	------	------	------	------	------	------	------	------	------	------	------	------

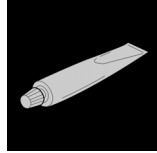
## SPECIAL TOOLS



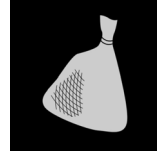
1.52039502  
Silicon Grease G-501



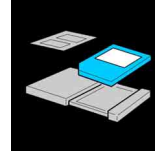
2.A0929503  
C4 Color Test Chart (3 pcs/set)



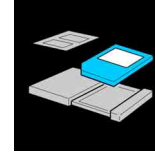
3.A2579300  
Grease Barrierta - S552R



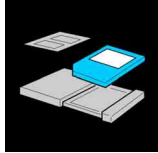
4.B1329700  
Lubricant Powder



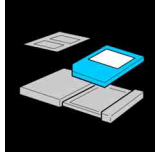
5.B6455010  
SD Card 128MB



6.B6455020  
SD Card 1GB



7.B6455030  
SD Card 2GB



8.B6455040  
SD Card 8GB



9.C4019503  
20X Magnification Scope

## Exclusive Parts

Number	Part Name	Group	ID
52039502	Silicon Grease G-501	SPECIAL TOOLS	1
52152621	SNAP RING - M6	U013_S001	5
54472681	SNAP RING	U001	5
		U013_S001	6
		U015	8
A0929503	C4 Color Test Chart (3 pcs/set)	SPECIAL TOOLS	2
A2579300	Grease Barrierta - S552R	SPECIAL TOOLS	3
AA001527	(-EU,-AA,-KOR):PLATE:LOGOTYPE:GES	U019	9
AA001528	(-EU):PLATE:LOGOTYPE:REX	U019	10
AA001529	(-EU):PLATE:LOGO:INF	U019	11
AA001530	(-EU):PLATE:LOGO:NSA	U019	12
AA043325	TIMING BELT - B40S2M250	U014_S001_S002	10
AA060151	TENSION SPRING	U009	16
AA061084	TENSION SPRING:FEELER	U009	17
AA061087	TORSION SPRING:STRIPPER PLATE:FRONT	U012_S001	15
		U012_S002	15
		U012_S003	15
		U012_S004	15
		U012_S005	15
		U012_S006	15
		U012_S007	15
		U012_S008	15
		U012_S009	15
AA061088	TORSION SPRING:STRIPPER PLATE:REAR	U012_S001	16
		U012_S002	16
		U012_S003	16
		U012_S004	16
		U012_S005	16
		U012_S006	16
		U012_S007	16
		U012_S008	16
		U012_S009	16
AA061089	COIL SPRING:GUIDE PLATE:FUSING EXIT	U012_S001	17
		U012_S002	17
		U012_S003	17
		U012_S004	17
		U012_S005	17

Number	Part Name	Group	ID
		U012_S006	17
		U012_S007	17
		U012_S008	17
		U012_S009	17
AA062086	COIL SPRING:PRESSURE	U012_S001	18
		U012_S002	18
		U012_S003	18
		U012_S004	18
		U012_S005	18
		U012_S006	18
		U012_S007	18
		U012_S008	18
		U012_S009	18
AA063483	COMPRESSION SPRING:TRANSPORT SUB-UNIT	U014_S001	83
AA063629	SPRING - 2.8N	U006_S003	17
AA063701	COMPRESSION SPRING:RISING TRAY	U006_S001	18
AA063729	COMPRESSION SPRING:TRANSFER ROLLER:SECOND	U014_S001	84
AA066417	TORSION SPRING:TRANSFER UNIT	U014_S001	85
AA066695	TORSION SPRING:LEVER:ON-OFF	U009	18
AA080346	BUSHING:FLANGE TYPE:DIA6	U013_S001	7
		U015	9
AA080347	BUSHING - 8MM	U015	10
AA080361	PLAIN SHAFT BEARING:CASE:RISING TRAY	U006_S001	19
AA082101	BUSHING - 6X10X6	U006_S003	20
		U006_S004	20
AA082109	PLAIN SHAFT BEARING:DIA4	U009	19
AA082146	BUSHING -6X10X4	U013_S001	8
AA082161	PLAIN SHAFT BEARING:REGISTRATION ROLLER	U006	21
AA143520	SHOULDER SCREW - M3	U009	20
AA143592	SCREW- M4X6	U016	22
AA143848	STEPPED SCREW - M3	U016	23
AA143870	STEPPED SCREW	U012_S001	19

## Exclusive Parts

Number	Part Name	Group	ID
		U012_S002	19
		U012_S003	19
		U012_S004	19
		U012_S005	19
		U012_S006	19
		U012_S007	19
		U012_S008	19
		U012_S009	19
AA161125	RUBBER CUSHION	U016	24
AB010929	GEAR:DRIVE:DEVELOPMENT:NO.2	U015	11
AB011537	GEAR:REGISTRATION ROLLER:FRONT	U006	22
AB011538	GEAR:REGISTRATION ROLLER:INNER BACK	U006	23
AB011539	GEAR:REGISTRATION ROLLER:DRIVE	U014_S001	86
AB011541	GEAR:RISING TRAY:OUTPUT	U006_S001	25
AB011552	GEAR:IDLER:LEFT REAR	U011	3
AB011553	(D219/D220):GEAR:IDLER:MIDDLE REAR	U011	4
AB011554	(D219/D220):GEAR:IDLER:RIGHT REAR	U011	5
AB011555	GEAR:IDLER:RIGHT FRONT	U011	6
AB011557	(D196/D214/D236):GEAR:IDLER:RIGHT REAR	U011	7
AB012076	GEAR:DRIVE:Z21	U012_S001	20
		U012_S002	20
		U012_S003	20
		U012_S004	20
		U012_S005	20
		U012_S006	20
		U012_S007	20
		U012_S008	20
		U012_S009	20
AB017827	GEAR:IDLER:COLLECTION BOTTLE:RIGHT UPPER	U011	8
AB017834	GEAR:RISING TRAY:2	U006_S001	26

Number	Part Name	Group	ID
AB017835	GEAR:RISING TRAY:3	U006_S001	27
AB017840	GEAR:ELECTROMAGNETIC CLUTCH:OUTPUT:Z30	U015	12
AB017841	GEAR:ELECTROMAGNETIC CLUTCH:OUTPUT:Z19	U015	13
AB017842	SHAFT:JOINT:PAPER FEED ROLLER	U015	14
AB017845	GEAR:TRANSPORT:NO.3	U015	15
AB017846	GEAR:TRANSPORT:NO.4	U015	16
AB017847	GEAR:MANUAL FEED:BASE	U015	17
AB017850	GEAR:DRIVE UNIT:FUSING:NO.3	U015	18
AB017851	GEAR:TIMING PULLEY:PAPER EXIT UNIT	U015	19
AB017865	(D196/D214/D236):GEAR:IDLER:MIDDLE REAR	U011	9
AB017899	GEAR:RISING TRAY:1	U006_S001	28
AB017934	GEAR:DRIVE UNIT:FUSING:NO.1	U015	20
AB017935	GEAR:TRANSPORT:NO.1	U015	21
AB017936	GEAR:TRANSPORT:NO.2	U015	22
AB017940	GEAR:DRIVE UNIT:FUSING:NO.2	U015	23
AB030854	TIMING PULLEY:EXIT ROLLER	U013_S001	9
AB033120	TIGHTENER:SYNCHRONOUS BELT:PAPER EXIT UNIT	U015	24
AF020791	REGISTRATION ROLLER:DRIVE	U014_S001	87
AF021088	REGISTRATION ROLLER:DRIVEN	U006	30
AF031092	PAPER FEED ROLLER:MANUAL FEED	U006_S004	31
AG070513	MAGNET CATCH	U001	6
		U016	25
AG071012	MAGNET CATCH:ASS'Y	U011	10
AH010011	RUBBER FOOT:H5	U017	10
AW010107	PAPER FEED SENSOR	U006	32
AW010124	PHOTO REFLECTION SENSOR:GP2A200LCS0F	U012	21
		U014_S001	88
AW010151	PHOTO REFLECTION SENSOR:PS122TL1-A	U014_S001_S002	11
AW020203	PHOTO INTERRUPTOR:GP1A173LCS2F	U004_S001	11
		U009	21

## Exclusive Parts

Number	Part Name	Group	ID
		U011	11
AW020224	PHOTOINTERRUPTOR:GP1A173L CSVF	U006	33
		U006_S004	33
		U014_S001	12
AW100183	THERMOPILE	U012	62
AW110101	THERMOSTAT:LOWER	U012_S001	23
		U012_S002	23
		U012_S003	23
		U012_S004	23
		U012_S005	23
		U012_S006	23
		U012_S007	23
		U012_S008	23
		U012_S009	23
AW140026	TEMPERATURE & HUMIDITY SENSOR	U016	26
AW500023	PUSH SWITCH	U011	12
		U016	27
AX040272	DC STEPPER MOTOR:NMB	U004_S001	12
AX060481	DC BRUSHLESS MOTOR:DRUM:BK:31.3W:40CPM	U015	25
AX060482	DC BRUSHLESS MOTOR:DRUM:COLLAR:20.4W:35CPM	U015_S001	26
AX060483	DC BRUSHLESS MOTOR:DEVELOPMENT:COLOR:34.4W:35CPM	U015	27
AX060484	DC BRUSHLESS MOTOR:DRIVE SUB-UNIT:FUSING:34.9W:40CPM	U015	28
AX060485	DC BRUSHLESS MOTOR:DRIVE SUB-UNIT:TRANSPORT:18.5W:40CPM	U015	29
AX200326	ELECTROMAGNETIC CLUTCH:PAPER FEED ROLLER	U015	30
AX200327	ELECTROMAGNETIC CLUTCH:REGISTRATION	U015	31
AX200328	ELECTROMAGNETIC CLUTCH:DRIVE:MANUAL FEED	U006_S004	34
AX200333	ELECTROMAGNETIC CLUTCH:DEVELOPMENT:0.5NM:DIA6	U015	32

Number	Part Name	Group	ID
AX200360	ELECTROMAGNETIC CLUTCH:DRIVE:MANUAL FEED:DUPLEX	U015	33
AX640222	DC FAN MOTOR:DC24V:MM60:25MM	U017	11
AX640233	DC FAN MOTOR:AXIAL:MM92	U017	12
AX640234	FAN:SIROCCO:DC24V:60MM	U017	13
AZ240290	(-NA,-TWN):POWER SUPPLY UNIT:248W	U016_S003	28
		U016_S004	28
AZ240291	(-EU,-AA,-KOR):POWER SUPPLY UNIT:248W	U016_S001	29
		U016_S002	29
AZ240292	(-CHN):POWER SUPPLY UNIT	U016_S005	30
AZ320212	POWER PACK:CB	U016	31
AZ320213	POWER PACK:T1T2	U016	32
B0392730	PAPER END SENSOR	U006	35
B0442751	JOINT - PAPER FEED ROLLER	U006_S003	36
B0442756	SPRING - PAPER FEED ROLLER	U006_S003	37
B1043928	BIAS ROLLER SPACER	U006_S003	38
B1329700	Lubricant Powder	SPECIAL TOOLS	4
B2232936	GEAR - 16Z	U006_S003	39
B2385875	DC SOLENOID DC24V	U009	22
B2776201	(D214):(-CHN):DECAL:ENERGY-SAVE	U019	47
B6455010	SD Card 128MB	SPECIAL TOOLS	5
B6455020	SD Card 1GB	SPECIAL TOOLS	6
B6455030	SD Card 2GB	SPECIAL TOOLS	7
B6455040	SD Card 8GB	SPECIAL TOOLS	8
B7002649	TIMING BELT:40S2M144	U014_S001	13
B7027105	TIMING BELT:B40S2M520:	U015	34
BE020204	PRESSURE ROLLER:DIA25	U012_S001	24
		U012_S002	24
		U012_S003	24
		U012_S004	24
		U012_S005	24
BE020304	PRESSURE ROLLER:DIA25	U012_S006	25
		U012_S007	25
		U012_S008	25
		U012_S009	25
BW100147	THERMISTOR:PRESSURE	U012_S001	26

## Exclusive Parts

Number	Part Name	Group	ID
		U012_S002	26
		U012_S003	26
		U012_S004	26
		U012_S005	26
		U012_S006	26
		U012_S007	26
		U012_S008	26
		U012_S009	26
BW100150	NON-CONTACT TYPE THERMISTOR	U012_S001	27
		U012_S002	27
		U012_S003	27
		U012_S004	27
		U012_S005	27
		U012_S006	27
		U012_S007	27
		U012_S008	27
		U012_S009	27
C4019503	20X Magnification Scope	SPECIAL TOOLS	9
D0095891	LEFT RAIL - FAX CONTROL UNIT	U016	33
D0095899	RIGHT RAIL - SMALL	U016	34
D0392752	DISC:SIDE FENCE	U014_S001_S001	89
D1054168	LEVER:LOCK:PRESSURE	U012_S001	28
		U012_S002	28
		U012_S003	28
		U012_S004	28
		U012_S005	28
		U012_S006	28
		U012_S007	28
		U012_S008	28
		U012_S009	28
D1054303	ELECTRODE PLATE:FUSING:NEUTRAL	U012_S001	29
		U012_S002	29
		U012_S003	29
		U012_S004	29
		U012_S005	29
		U012_S006	29
		U012_S007	29
		U012_S008	29

Number	Part Name	Group	ID
		U012_S009	29
D1054365	HOLDER:THERMOPILE	U012	30
D1171057	CASE:COIL SPRING:PLATE:PCU:FRONT	U017	14
D1171058	CASE:COIL SPRING:PLATE:PCU:REAR	U017	15
D1171059	SLIDER:COIL SPRING:PLATE:PCU:REAR	U017	16
D1171064	SEAL:SIDE PLATE:FRONT	U017	17
D1171068	COIL SPRING:PLATE:PCU	U017	18
D1171069	SLIDER:COIL SPRING:PLATE:PCU:FRONT	U017	19
D1171124	COVER:FAN	U017	20
D1171125	SEAL:COVER:FAN	U017	21
D1171126	DUCT:OPTICAL WRITING MD	U017	22
D1171207	SHAFT:TIMING PULLEY:PAPER EXIT UNIT	U015	36
D1171232	HOLDER:TIMING PULLEY:PAPER EXIT UNIT	U015	37
D1171301	COVER:FRONT	U001	7
D1171302	HINGE:COVER:FRONT:RIGHT	U001	8
D1171303	HINGE:COVER:FRONT:LEFT	U001	9
D1171304	BRACKET:HINGE:RIGHT	U001	10
D1171305	BRACKET:HINGE:LEFT	U001	11
D1171306	PIN:HINGE	U001	12
D1171307	MAGNET CATCH:COVER:FRONT	U001	13
D1171308	COVER:FRONT LOWER	U001	14
D1171313	COVER:UPPER	U001	15
D1171324	COVER:DEODORIZE FILTER	U001	16
D1171325	LOUVER:COVER:RIGHT REAR	U001	17
D1171326	LOUVER:DUCT	U001	18
D1171332	BRACKET:KEY COUNTER HOLDER	U019	14
D1171351	COVER:SUPPORT:SCANNER	U001	19
D1171353	COVER:UPPER LEFT	U001	20
D1171358	GROUND PLATE:UPPER:ASS'Y	U001	37
D1171361	INNER COVER:UPPER	U001	21
D1171371	BRACKET:CARD READER	U019	15

## Exclusive Parts

Number	Part Name	Group	ID
D1171372	BRACKET:CARD READER	U019	16
D1171801	BRACKET:MOTOR	U004_S001	13
D1171804	CAP:TIMING PULLEY	U004_S001	14
D1171805	GEAR:TIMING PULLEY:81-18	U004_S001	15
D1171806	PULLEY:IDLER	U004_S001	16
D1171807	BRACKET:IDLER:PEEN	U004_S001	17
D1171810	SYNCHRONOUS BELT:S2M:441	U004_S001	18
D1171820	BUSHING:BRACKET	U004_S001	19
D1171826	GEAR:SLOW DOWN:53-19	U004_S001	20
D1171837	COIL SPRING:TENSION	U004_S001	21
D1171840	COVER:SCANNER:FRONT:ASS'Y	U004_S001	22
D1171845	COVER:SCANNER:REAR	U004_S001	23
D1171990	STEPPED SCREW	U005	3
D1171991	SPRING LOCK WASHER:DIA6.4XDI A11X1.5	U005	4
D1172533	BASE:RISE:ASS'Y	U006_S001	41
D1172611	GUIDE PLATE:VERTICAL TRANSP ORT:LOWER	U006	42
D1172612	GUIDE PLATE:VERTICAL TRANSP ORT:UPPER	U006	43
D1172613	GUIDE:VERTICAL TRANSPORT	U006	44
D1172617	CASE:REMOVE PAPER DUST	U006	45
D1172618	GUIDE:REMOVE PAPER DUST	U006	46
D1172631	COLLAR:REGISTRATION	U014_S001	90
D1172633	BUSHING:REGISTRATION ROLLE R:DRIVE	U014_S001	91
D1172635	BRACKET:FRAME:REGISTRATION	U014_S001	92
D1172636	HOLDER:REGISTRATION	U014_S001	93
D1172637	COMPRESSION SPRING:ROLLER: TENSION	U014_S001	94
D1172638	GUIDE PLATE:REGISTRATION RO LLER:DRIVE	U014_S001	95
D1172639	GUIDE:REGISTRATION:DRIVE:FR ONT	U014_S001	96
D1172640	GUIDE:REGISTRATION:DRIVE:INN ER BACK	U014_S001	97
D1172655	BASE:LIFT MOTOR:PAPER FEED:F RONT	U006_S001	56

Number	Part Name	Group	ID
D1172656	CASE:RISING TRAY	U006_S001	57
D1172660	DC MOTOR:2.6W:BRUSH	U006_S001	58
D1172710	GUIDE PLATE:MANUAL FEED:LOW ER	U006_S004	59
D1172711	FRICTION PAD:MANUAL FEED:AD HESION	U006_S004	60
D1172714	COMPRESSION SPRING:SEPARAT ION:MANUAL FEED	U006_S004	61
D1172717	SHAFT:PAPER FEED:MANUAL FEE D	U006_S004_S001	62
D1172719	GEAR:PAPER FEED:MANUAL FEE D	U006_S004	63
D1172721	TRAY BOTTOM PLATE:MANUAL F EED	U006_S004_S002	64
D1172723	GUIDE:BASE:FRONT	U006_S004_S002	65
D1172724	GUIDE:BASE:REAR	U006_S004_S002	66
D1172725	COMPRESSION SPRING:PAPER F EED:MANUAL FEED	U006_S004	67
D1172727	GUIDE PLATE:MANUAL FEED:MID DLE	U006_S004	68
D1172728	SHEET:MANUAL FEED	U006_S004	69
D1172729	TENSION SPRING:GUIDE PLATE:M ANUAL FEED	U006_S004	70
D1172732	HOLDER:PAPER END SENSOR:MA NUAL FEED	U006_S004	71
D1172733	FEELER:PAPER END SENSOR:MA NUAL FEED	U006_S004	72
D1172734	TORSION SPRING:PAPER END SE NSOR:MANUAL FEED	U006_S004	73
D1172735	SUPPORTING PLATE:MANUAL FE ED	U006_S004	74
D1172740	SHAFT:CAM:MANUAL FEED	U006_S004	75
D1172741	CAM:MANUAL FEED:FRONT	U006_S004	76
D1172742	CAM:MANUAL FEED:REAR	U006_S004	77
D1172743	GEAR:CAM:MANUAL FEED	U006_S004	78
D1172744	GEAR:CAM:IDLER:LOWER	U006_S004	79
D1172745	GEAR:CAM:IDLER:STEPPED	U006_S004	80
D1172746	GEAR:CAM:IDLER:UPPER	U006_S004	81

## Exclusive Parts

Number	Part Name	Group	ID
D1172747	FEELER:CAM:MANUAL FEED	U006_S004	82
D1172749	BRACKET:MANUAL FEED:REAR	U006_S004	83
D1172751	BRACKET:MANUAL FEED:FRONT	U006_S004	84
D1172752	SPRING PLATE:HOME POSITION SENSOR:MANUAL FEED	U006_S004	85
D1172756	FEELER:PAPER SIZE SENSOR:MANUAL FEED	U006_S004	86
D1172760	SUPPORTING PLATE:SMALL:MANUAL FEED	U006_S004	87
D1172761	LINK:MANUAL FEED TABLE	U014_S001	98
D1172762	MANUAL FEED TABLE:ASS'Y	U014_S001_S001	99
D1172766	SIDE FENCE:MANUAL FEED:FRONT	U014_S001_S001	100
D1172767	SIDE FENCE:MANUAL FEED:REAR	U014_S001_S001	101
D1172768	GEAR:SIDE FENCE	U014_S001_S001	102
D1172769	RACK:MANUAL FEED	U014_S001_S001	103
D1172770	COVER:MANUAL FEED TABLE	U014_S001_S001	104
D1172771	EXTENSION TRAY:MANUAL FEED	U014_S001_S001	105
D1172772	COMPRESSION SPRING:EXTENSION TRAY:MANUAL FEED	U014_S001_S001	106
D1172773	COVER:MANUAL FEED TABLE:LOWER	U014_S001_S001	107
D1172776	TORSION SPRING:COVER:MANUAL FEED TABLE	U014_S001_S001	108
D1172778	COMPRESSION SPRING:RACK:MANUAL FEED	U014_S001_S001	109
D1172779	PIN:PINION GEAR	U014_S001_S001	110
D1172781	COIL SPRING:PINION GEAR:MANUAL FEED	U014_S001_S001	111
D1172782	GUIDE PLATE:MANUAL FEED TABLE	U006_S004_S002	102
D1172784	LINK:COVER:FRONT REAR	U014_S001_S001	112
D1172785	LINK:COVER:MIDDLE	U014_S001_S001	113
D1172787	STOPPER:MANUAL FEED TABLE	U014_S001	114
D1172792	DECAL:SCALE:MANUAL FEED	U014_S001_S001	115
D1172796	(-CHN):DECAL:TRAY:MANUAL FEED:INKJET:CHINESE	U019	17
D1172797	(-TWN):DECAL:TRAY:MANUAL FEED:INKJET:CHINESE	U019	18

Number	Part Name	Group	ID
	D:INKJET:TAIWAN		
D1172799	(-NA,-AA,-KOR):DECAL:TRAY:MANUAL FEED:INKJET	U019	19
D1172805	HOLDER:GRIP:PAPER TRAY	U006_S003	107
D1172806	GRIP:PAPER TRAY	U006_S003	108
D1172807	LEVER:RELEASE:PAPER TRAY	U006_S003	109
D1172808	STOPPER:GUIDE PLATE:BASE:RISE	U006_S003	110
D1172809	TENSION SPRING:BASE:RISE	U006_S003	111
D1172813	STOPPER:PAPER TRAY	U006	112
D1172814	PRESSURE PLATE:BASE:RISE	U006_S003	113
D1172815	SPRING PLATE:SIDE FENCE:FRONT	U006_S003_S001	114
D1172816	SHAFT:BASE:RISE	U006_S003	115
D1172819	RACK:BASE:RISE	U006_S003	116
D1172820	PINION:BASE:RISE	U006_S003	117
D1172822	BRACKET:PINION:BASE:RISE	U006_S003	118
D1172823	PAD:SIDE FENCE	U006_S003_S001	119
		U006_S003_S002	119
D1172825	SIDE FENCE:FRONT:ASS'Y	U006_S003_S001	120
D1172826	COMPRESSION SPRING:SIDE FENCE:PLATE	U006_S003_S001	121
D1172828	COMPRESSION SPRING:BASE:RISE:AUXILIARY	U006_S003	122
D1172829	COVER:PRESSURE PLATE:BASE:RISE	U006_S003	123
D1172830	LEVER:STOPPER:FRONT	U006_S003_S001	124
D1172834	PLATE:SIDE FENCE	U006_S003_S001	125
D1172838	END FENCE	U006_S003	127
D1172839	LEVER:UN LOCK:END FENCE	U006_S003	128
D1172840	COVER:END FENCE	U006_S003	129
D1172842	(-NA,-AA,-KOR):DECAL:PAPER SET DIRECTION:TRAY:RIGHT	U019	20
D1172843	DECAL:PAPER SET DIRECTION:TRAY:LEFT	U006_S003	130
D1172844	DECAL:SIDE FENCE:REAR	U006_S003_S002	131
D1172846	RETAINING RINGS-E:SILENCER:DI A3	U006_S003	132

## Exclusive Parts

Number	Part Name	Group	ID
D1172848	COVER:PAPER TRAY	U006_S003	133
D1172851	PAPER FEED ROLLER:PAPER TRAY	U006_S003	134
D1172852	SHAFT:PAPER FEED ROLLER:ASS'Y	U006_S003	135
D1172856	ROLLER:PAPER TRAY:RIGHT	U006_S003	136
D1172858	ROLLER:PAPER TRAY:LEFT	U006_S003	137
D1172866	ROLLER:RAIL:RIGHT	U006	138
D1172870	PAPER FEED ROLLER:AUXILIARY	U006_S003	139
D1172872	FRICTION PAD:ASS'Y	U006_S003	140
D1172875	(-CHN):DECAL:PAPER SET DIRECTION:TRAY:RIGHT:CHINESE	U019	21
D1172876	(-TWN):DECAL:PAPER SET DIRECTION:TRAY:RIGHT:TAIWAN	U019	22
D1172877	DECAL:PAPER TRAY:SIZE INDICATION	U019	23
D1172882	TENSION SPRING:GRIP:LEFT	U006_S003	141
D1172884	PLATE:ROLLER:PAPER TRAY:RIGHT	U006_S003	142
D1172886	PLATE:ROLLER:PAPER TRAY:LEFT	U006_S003	143
D1172888	JOINT:BASE:RISE	U006_S001	144
D1172890	TENSION SPRING:GRIP:RIGHT	U006_S003	145
D1172894	SHAFT:PINION:BASE:RISE	U006_S003	146
D1172896	SHEET:PLATE:FRICTION PAD	U006_S003	147
D1172897	BRACKET:LEFT:ROLLER:ASS'Y	U006	148
D1172899	LEVER:STRETCH:TRAY:UNI:ASS'Y	U006_S002	149
D1172901	BRACKET:STRETCH:TRAY	U006	150
D1173354	COLLAR:TONER SUPPLY:HOUSING	U008_S001	8
D1173400	DC MOTOR:TONER SUPPLY:5.3W:BRUSH	U008_S006	9
		U008_S007	9
		U008_S008	9
		U008_S009	9
D1173401	COLLAR:DRIVE:BRACKET	U008_S006	10
		U008_S007	10
		U008_S008	10
		U008_S009	10

Number	Part Name	Group	ID
D1173402	GEAR:IDLER:DC MOTOR	U008_S006	11
		U008_S007	11
		U008_S008	11
		U008_S009	11
D1173404	SHAFT:DRIVE:AGITATOR	U008_S006	13
		U008_S007	13
		U008_S008	13
		U008_S009	13
D1173405	COMPRESSION SPRING:GEAR:TONER BOTTLE	U008_S006	14
		U008_S007	14
		U008_S008	14
		U008_S009	14
D1173410	DECAL:COLORED DISPLAY:INNER COVER:K	U017	23
D1173411	DECAL:COLORED DISPLAY:INNER COVER:C	U017	24
D1173412	DECAL:COLORED DISPLAY:INNER COVER:M	U017	25
D1173413	DECAL:COLORED DISPLAY:INNER COVER:Y	U017	26
D1174153	LEVER:PRESSURE RELEASE:FRONT:ASS'Y	U012_S001	31
		U012_S002	31
		U012_S003	31
		U012_S004	31
		U012_S005	31
		U012_S006	31
		U012_S007	31
		U012_S008	31
		U012_S009	31
D1174155	LEVER:PRESSURE:FRONT	U012_S001	32
		U012_S002	32
		U012_S003	32
		U012_S004	32
		U012_S005	32
		U012_S006	32
		U012_S007	32
		U012_S008	32
		U012_S009	32

## Exclusive Parts

Number	Part Name	Group	ID
D1174163	LEVER:PRESSURE RELEASE:REAR:ASS'Y	U012_S001	33
		U012_S002	33
		U012_S003	33
		U012_S004	33
		U012_S005	33
		U012_S006	33
		U012_S007	33
		U012_S008	33
		U012_S009	33
D1174165	LEVER:PRESSURE:REAR	U012_S001	34
		U012_S002	34
		U012_S003	34
		U012_S004	34
		U012_S005	34
		U012_S006	34
		U012_S007	34
		U012_S008	34
		U012_S009	34
D1174235	GUIDE PLATE:FUSING EXIT	U012_S001	35
		U012_S002	35
		U012_S003	35
		U012_S004	35
		U012_S005	35
		U012_S006	35
		U012_S007	35
		U012_S008	35
		U012_S009	35
D1174236	SHEET:C:LEVER	U012_S001	36
		U012_S002	36
		U012_S003	36
		U012_S004	36
		U012_S005	36
		U012_S006	36
		U012_S007	36
		U012_S008	36
		U012_S009	36
D1174238	GUIDE:FUSING EXIT:ETFE	U012_S001	37
		U012_S002	37

Number	Part Name	Group	ID		
		U012_S003	37		
		U012_S004	37		
		U012_S005	37		
		U012_S006	37		
		U012_S007	37		
		U012_S008	37		
		U012_S009	37		
		D1174241	FUSING ENTRANCE GUIDE PLATE	U012_S001	38
				U012_S002	38
U012_S003	38				
U012_S004	38				
U012_S005	38				
U012_S006	38				
U012_S007	38				
U012_S008	38				
U012_S009	38				
D1174251	FUSING COVER:LOWER	U012_S001	39		
		U012_S002	39		
		U012_S004	39		
		U012_S005	39		
D1174261	FUSING COVER:UPPER:ASS'Y	U012_S001_S001	40		
		U012_S002_S001	40		
		U012_S003_S001	40		
		U012_S004_S001	40		
		U012_S005_S001	40		
		U012_S006_S001	40		
		U012_S007_S001	40		
		U012_S008_S001	40		
		U012_S009_S001	40		
D1174263	DECAL:H-TEMP WARNING:FUSING	U012_S001_S001	41		
		U012_S002_S001	41		
		U012_S003_S001	41		
		U012_S004_S001	41		
		U012_S005_S001	41		
		U012_S006_S001	41		
		U012_S007_S001	41		
		U012_S008_S001	41		
		U012_S009_S001	41		

## Exclusive Parts

Number	Part Name	Group	ID
D1174332	BRACKET:THERMOPILE	U012	64
D1174451	GUIDE PLATE:EXIT:LOWER	U013_S001	10
D1174452	GATE PAWL:REVERSE	U013_S001	11
D1174454	EXIT ROLLER	U013_S001	12
D1174457	BRACKET:ROLLER:EXIT	U013_S001	13
D1174465	COLLAR:GEAR:EXIT	U013_S001	14
D1174477	BRACKET:IDLER:EXIT	U013_S001	15
D1174481	SHAFT:COUPLING:EXIT	U013	16
D1174489	DISCHARGE BRUSH:EXIT	U013_S001	17
D1174492	ROLLER:EXIT	U013_S001	18
D1174495	EXTENSION TRAY:EXIT	U001	22
D1174496	END FENCE:EXIT	U001	23
D1174498	STOPPER:END FENCE:EXIT	U001	24
D1174499	COMPRESSION SPRING:END FENCE:EXIT	U001	25
D1174501	PIN:HOOK:FRAME:DUPLEX:ASS'Y	U014	14
D1174514	SHAFT:STOPPER:COVER:RIGHT	U014_S001	15
D1174515	GROUND WIRE:DUPLEX	U014_S001	16
D1174600	COVER:RIGHT:DUPLEX	U014_S001	18
D1174602	BAND:STOPPER:COVER:RIGHT	U014	19
D1174607	PLATE:BAND:STOPPER	U014	20
D1174608	LEVER:FUSING:RELEASE:FRONT	U014_S001	21
D1174609	LEVER:FUSING:RELEASE:INNER BACK	U014_S001	22
D1174611	SHAFT:HINGE:DUPLEX	U014_S001	23
D1174614	COVER:HARNESS:DUPLEX	U014_S001	26
D1174615	SPRING PLATE:EARTH:DUPLEX	U014_S001	27
D1174616	TENSION SPRING:STOPPER:DOOR:RIGHT:FRONT	U014_S001	28
D1174617	COLLAR:STOPPER:COVER:RIGHT	U014_S001	29
D1174633	SHAFT:HOOK:FRAME:DUPLEX	U014_S001_S002	30
D1174635	TORSION SPRING:HOOK:FRAME:DUPLEX	U014_S001_S002	32
D1174641	BRACKET:PLATE:TRANSFER:ASS'Y	U014_S001_S002	34
D1174645	BRACKET:PLATE:TRANSFER:INNER BACK:ASS'Y	U014_S001_S002	35
D1174651	GEAR:TRANSPORT ROLLER:DUPL	U014_S001_S002	36

Number	Part Name	Group	ID
	EX:Z14		
D1174654	SHAFT:GEAR:SWING UNIT:Z14:ASS'Y	U014_S001_S002	37
D1174664	SHAFT:PULLEY:COUPLING:FRAME:ASS'Y	U014_S001_S002	38
D1174671	TRANSPORT ROLLER:DUPLEX	U014_S001	39
		U014_S001_S002	39
D1174676	SHAFT:ROLLER:DRIVEN:DUPLEX	U014_S001	40
D1174677	ROLLER:DRIVEN:DUPLEX	U014_S001	41
D1174678	PULLEY:IDLER	U014_S001	42
		U014_S001_S002	42
D1174679	PULLEY:DRIVE ROLLER	U014_S001	43
		U014_S001_S002	43
D1174682	SHAFT:HOOK:STOPPER	U014_S001	44
D1174686	KNOB:COVER:RIGHT:DUPLEX	U014_S001	45
D1174690	GUIDE PLATE:REVERSE:ENTRANCE:LOWER	U014_S001	46
D1174691	GUIDE PLATE:REVERSE:EXIT:LOWER	U014_S001_S002	47
D1174693	GUIDE PLATE:REVERSE:EXIT:UPPER	U014_S001_S002	48
D1174697	GUIDE PLATE:MIDDLE	U014_S001_S002	49
D1174698	GUIDE PLATE:REVERSE:ENTRANCE:UPPER	U014_S001	50
D1174699	SHAFT:GUIDE PLATE:REVERSE:ENTRANCE:UPPER	U014_S001	51
D1174702	COMPRESSION SPRING:GUIDE PLATE:REVERSE:ENTRANCE	U014_S001	53
D1174705	BRACKET:GEAR:SWIVEL:ASS'Y	U014_S001_S002	54
D1174706	GEAR:IDLER:SWIVEL:COUPLING	U014_S001_S002	55
D1174708	TENSION SPRING:GEAR:SWING UNIT	U014_S001_S002	56
D1174709	COMPRESSION SPRING:ROLLER:DRIVEN:DUPLEX	U014_S001	57
D1174712	HOLDER:BELT:COUPLING	U014_S001	58
D1174713	SHAFT:PULLEY:WIRE	U014	59
D1174714	BAND:HOOK:DUPLEX:COUPLING	U014_S001	60
D1174716	TORSION SPRING:FEELER:ENTRANCE	U014_S001	61

## Exclusive Parts

Number	Part Name	Group	ID
	NCE SENSOR		
D1174718	SHEET:COVER:RIGHT FRONT	U014_S001	62
D1174719	TUBE:STOPPER	U014_S001_S002	63
D1174720	SHAFT:PULLEY:IDLER:COUPLING:ASS'Y	U014_S001	64
D1174724	GEAR:IDLER:TIMING PULLEY:DUPLEX	U014_S001	65
D1174727	COVER:CONNECTOR:DUPLEX SECTION:CONNECTING	U014	66
D1174731	PULLEY:WIRE:DAMPER	U014	67
D1174732	TORSION SPRING:DOOR:RIGHT:STOPPER	U014	68
D1174733	COLLAR:STOPPER:SIDE PLATE	U014	69
D1174734	BRACKET:STOPPER:SIDE PLATE:ASS'Y	U014	70
D1174737	WIRE:STOPPER:DIA1.2:ASS'Y	U014_S001	71
D1174792	PLATE:MANUAL FEED:FRONT	U014_S001	72
D1174794	PLATE:MANUAL FEED:INNER BACK	U014_S001	73
D1175091	(-NA,-TWN):HEATER:ASS'Y	U018_S004	10
		U018_S005	10
D1175097	(-EU,-AA,-KOR,-CHN):HEATER:ASS'Y	U018_S001	11
		U018_S002	11
		U018_S003	11
D1175180	(-NA,-TWN):PCB:ACVB:100V	U016	35
D1175190	(-EU,-AA,-KOR,-CHN):PCB:ACVB:200V	U016	36
D1175303	THERMISTOR	U016	37
D1175864	GUIDE:HARNESS:FFC:OPTICAL WRITING UNIT	U016	38
D1175867	GUIDE:HARNESS:POWER SUPPLY UNIT	U016	39
D1175882	WIRE:HIGH VOLTAGE:DEVELOPMENT:BK:CONNECTING	U016	52
D1175883	WIRE:HIGH VOLTAGE:DEVELOPMENT:C:CONNECTING	U016	53
D1175886	DUCT:POWER SUPPLY UNIT:ENTRANCE	U016	54

Number	Part Name	Group	ID
D1175887	DUCT:POWER SUPPLY UNIT:EXHAUST	U016	55
D1175890	GRIP:RIGHT REAR	U016	56
D1175891	GRIP:LEFT REAR	U016	57
D1175892	BRACKET:SWIVEL:SAFETY SWITCH	U016	58
D1175893	LEVER:RIGHT:SAFETY SWITCH	U016	59
D1175894	LEVER:FRONT:SAFETY SWITCH	U016	60
D1175895	TORSION SPRING:SAFETY SWITCH	U016	61
D1175901	TORSION SPRING:LEVER:RIGHT:SAFETY SWITCH	U016	63
D1175902	COLLAR:SHAFT:SAFETY SWITCH	U016	64
D1175903	INNER COVER:SAFETY SWITCH	U016	65
D1175904	BRACKET:DRAWER:FUSING	U016	66
D1175908	BRACKET:DRAWER:OPTION TRAY	U016	68
D1175912	BRACKET:SWITCH:HEATER	U016	69
D1175915	GUIDE:WIRE:HIGH VOLTAGE:CHARGE	U016	70
D1175916	STEPPED SCREW:M3X8:SECOND KIND	U016	71
D1175924	STOPPER:WIRE:HIGH VOLTAGE:TRANSFER	U016	72
D1175925	GUIDE:HARNESS:PAPER FEED DRIVE	U016	73
D1175927	ACTUATOR:FRONT:SAFETY SWITCH	U001	26
D1175945	SPACER:FFC	U016	74
D1176135	CAM:ON-OFF:BK	U009	23
D1176136	SHAFT:CAM:ON-OFF:BK	U009	24
D1176137	LEVER:ON-OFF:BK:INTERMEDIATE TRANSFER	U009	25
D1176138	PRESSURE PLATE:INTERMEDIATE TRANSFER	U009	26
D1176181	LEVER:SUPPORT:SHUTTER	U009	27
D1176185	LEVER:OPEN AND CLOSE:SHUTTER	U009	28
D1176265	SEAL:DISCHARGE:PLATE:FRONT	U010_S001	24

## Exclusive Parts

Number	Part Name	Group	ID
D1176268	SHEET:DISCHARGE:PLATE	U010_S001	25
D1176312	HOLDER:DISCHARGE:TRANSPORT SUB-UNIT	U014_S001	116
D1176320	TERMINAL:BIAS:SEPARATION	U014_S001	117
D1176322	COVER:PRESSURE PLATE:ENTRANCE	U014_S001	118
D1176327	LEVER:GROUND PLATE	U014_S001	119
D1176350	DC MOTOR:ON-OFF:FIRST:ASS'Y:5.3W:BRUSH	U009	29
D1176363	GEAR:ON-OFF:FIRST	U009	30
D1176364	GEAR:ON-OFF:FIRST:NO.1	U009	31
D1176365	GEAR:ON-OFF:FIRST:NO.2	U009	32
D1176366	GEAR:ON-OFF:FIRST:NO.3	U009	33
D1176375	BRACKET:FEELER:ON-OFF	U009	34
D1176376	FEELER:ON-OFF:FIRST	U009	35
D1176386	HOOK:SHUTTER:DENSITY SENSOR	U009	36
D1176389	SPACER:SHUTTER:TM SENSOR	U009	37
D1176392	SPACER:SHUTTER:SENSOR:TM	U009	38
D1176401	COLLECTION BOTTLE:ASS'Y	U011_S001	13
D1176585	(D219/D220):BRACKET:COLLECTION BOTTLE:RIGHT:PRESS FIT	U011	14
D1176588	BRACKET:COLLECTION BOTTLE:LEFT	U011	15
D1176590	(D219/D220):COVER:GEAR:USED TONER	U011	16
D1176877	(-CHN):DECAL:CAUTION:ORIGINAL:CHINESE	U019	24
D1176878	(-TWN):DECAL:CAUTION:ORIGINAL:TAIWAN	U019	25
D1181529	HINGE:RIGHT:ASS'Y	U002	5
D1181530	HINGE:LEFT:ASS'Y	U002	6
D1201557	(-EU):SHEET:LOGO:GES	U019	26
D1201558	(-EU):SHEET:LOGO:REX	U019	27
D1201559	(-EU):SHEET:LOGO:NAS	U019	28
D1201560	(-EU):SHEET:LOGO:INF	U019	29
D1441085	STEPPED SCREW:M3	U012_S001	42
		U012_S002	42

Number	Part Name	Group	ID
		U012_S003	42
		U012_S004	42
		U012_S005	42
		U012_S006	42
		U012_S007	42
		U012_S008	42
		U012_S009	42
D1491553	SHEET:LOGO	U019	30
D1495884	COMPRESSION SPRING:KEYTOP	U001	27
D1681351	COVER:UPPER FRONT:VW	U001	28
D1681352	COVER:UPPER RIGHT:FRONT:VW	U001	29
D1681353	COVER:UPPER RIGHT:REAR:VW	U001	30
D1775686	PCB:DCSW	U016	75
D1916884	(-NA):DECAL:MAIN SWITCH:ON-STANDBY	U019	31
D1916885	(-EU,-AA,-KOR,-CHN,-TWN):DECAL:MAIN SWITCH:ON-STANDBY	U019	32
D1960072	OPTICAL READING SECTION	U004_S001	24
D1960251	DUPLEX UNIT:ASS'Y	U014_S001	120
D1961036	SEAL:COVER:LEFT	U017	27
D1961066	LEVER:LOCK:FRONT	U017	28
D1961087	LEVER:LOCK:REAR	U017	29
D1961127	DUCT:LEFT:VACUUM	U017	30
D1961128	COVER:DUCT:LEFT:VACUUM	U017	31
D1961143	DUCT:REAR:BASE	U017	32
D1961152	DRIVE UNIT:DRUM:DEVELOPMENT:TRANSFER:ASS'Y	U015_S001	38
D1961177	COVER:ELECTROMAGNETIC CLUTCH:DEVELOPMENT:DIA6	U015	39
D1961180	SHAFT:DRIVE:DEVELOPMENT:ELECTROMAGNETIC CLUTCH:PRESS FIT	U015	40
D1961321	COVER:RIGHT REAR	U001	31
D1961322	KEYTOP:MAIN SWITCH	U001	32
D1961323	DEODORIZE FILTER	U001	33
D1961331	COVER:LEFT	U001	34
D1961485	IC:NFC_TAG:MN63Y3212N3	U019	48
D1961492	COVER:HINGE:G1	U002	8

## Exclusive Parts

Number	Part Name	Group	ID
D1961493	COVER:HINGE:G2	U002	9
D1961494	COVER:REAR:MIDDLE	U002	10
D1961495	COVER:SIDE	U002	11
D1961496	PLATE:HINGE	U002	12
D1961560	(-CHN):OPERATION PANEL:ASS'Y	U002_S005	16
D1961575	(-EU,-NA,-AA,-KOR,-TWN):OPERATION SUB-UNIT:ASS'Y	U002_S001	17
		U002_S002	17
		U002_S003	17
		U002_S004	17
D1961651	CARRIAGE:SCANNER:ASS'Y	U004_S001_S001	25
D1961657	(-NA):ORIGINAL TRAY:SCANNER:ASS'Y	U004_S001	26
D1961658	(-EU,-AA,-KOR,-CHN,-TWN):ORIGINAL TRAY:SCANNER:ASS'Y	U004_S001	27
D1961747	(-EU,-AA,-KOR,-CHN,-TWN):DECAL:SCALE:LEFT	U004_S001	28
D1961748	(-NA):DECAL:SCALE:LEFT	U004_S001	29
D1961860	(D196/D214/D236):OPTICAL WRITING UNIT:ASS'Y	U005_S001	5
		U005_S002	5
D1962623	GROUND PLATE:REGISTRATION ROLLER	U006	151
D1962624	HOLDER:RESISTOR:REGISTRATION	U006	152
D1962626	GROUND PLATE:BRACKET:REMOVE PAPER DUST	U006	153
D1962701	MANUAL FEED UNIT:ASS'Y	U006_S004	168
D1962720	TRAY BOTTOM PLATE:MANUAL FEED:ASS'Y	U006_S004_S002	154
D1962791	GROUND PLATE:TRAY BOTTOM PLATE:MANUAL FEED:FRONT	U006_S004	155
D1962793	GROUND PLATE:TRAY BOTTOM PLATE:MANUAL FEED:INNER BACK	U006_S004	156
D1962794	HOLDER:RESISTOR:MANUAL FEED:BASE	U006_S004	157
D1962798	INSULATING SHEET:BASE:MANUAL FEED	U006_S004	158
D1962817	LEVER:BASE:RISE	U006_S003	160
D1962845	BASE:TRAY:ASS'Y	U006_S003_S003	161

Number	Part Name	Group	ID
D1962849	BRACKET:PIN:STRETCH:TRAY:PE EN	U006_S003	162
D1963301	HOUSING:TONER SUPPLY:ASS'Y	U008_S001	15
D1963302	TONER HOPPER:TONER SUPPLY: BK:ASS'Y	U008_S002	16
D1963303	TONER HOPPER:TONER SUPPLY: CMY:ASS'Y	U008_S003	17
		U008_S004	17
		U008_S005	17
D1963304	DRIVE UNIT:TONER SUPPLY:ASS'Y	U008_S006	18
		U008_S007	18
		U008_S008	18
		U008_S009	18
D1963390	GEAR:TONER HOPPER:DRIVE SUB-UNIT	U008_S006	19
		U008_S007	19
		U008_S008	19
		U008_S009	19
D1964031	(D196)(-NA):FUSING UNIT:SERVICE PARTS	U012_S004	43
D1964032	(D196/D214)(-EU,-AA,-KOR,-CHN):FUSING UNIT:SERVICE PARTS	U012_S001	44
		U012_S002	44
		U012_S003	44
D1964033	(D236)(-TWN):FUSING UNIT:SERVICE PARTS	U012_S005	45
D1964034	(D220)(-NA):FUSING UNIT:SERVICE PARTS	U012_S008	46
D1964035	(D219/D220)(-EU,-AA):FUSING UNIT:SERVICE PARTS	U012_S006	47
		U012_S007	47
D1964036	(D220)(-TWN):FUSING UNIT:SERVICE PARTS	U012_S009	48
D1964037	(-NA):SLEEVE:FUSING:ASS'Y	U012_S004_S002	49
		U012_S008_S002	49
D1964038	(-EU,-AA,-KOR,-CHN):SLEEVE:FUSING:ASS'Y	U012_S001_S002	50
		U012_S002_S002	50
		U012_S003_S002	50
		U012_S006_S002	50
		U012_S007_S002	50
D1964039	(-TWN):SLEEVE:FUSING:ASS'Y	U012_S005_S002	51
		U012_S009_S002	51

## Exclusive Parts

Number	Part Name	Group	ID
D1964084	FUSING COVER:LOWER:ASS'Y	U012_S003	39
		U012_S006	39
		U012_S007	39
		U012_S008	39
		U012_S009	39
D1964124	BRACKET:THERMISTOR:PRESSURE:FRONT	U012_S001	52
		U012_S002	52
		U012_S003	52
		U012_S004	52
		U012_S005	52
		U012_S006	52
		U012_S007	52
		U012_S008	52
D1964125	DISCHARGE BRUSH:BRACKET:THERMISTOR:PRESSURE:REAR	U012_S001	53
		U012_S002	53
		U012_S003	53
		U012_S004	53
		U012_S005	53
		U012_S006	53
		U012_S007	53
		U012_S008	53
		U012_S009	53
D1964126	BRACKET:RESISTOR	U012_S001	54
		U012_S002	54
		U012_S003	54
		U012_S004	54
		U012_S005	54
		U012_S006	54
		U012_S007	54
		U012_S008	54
		U012_S009	54
D1964127	RESISTOR:FUSING SUB-UNIT	U012_S003	59
		U012_S006	59
		U012_S007	59
		U012_S008	59
		U012_S009	59
D1964194	GUIDE:HARNESS:FUSING	U012_S001	55

Number	Part Name	Group	ID
		U012_S002	55
		U012_S003	55
		U012_S004	55
		U012_S005	55
		U012_S006	55
		U012_S007	55
		U012_S008	55
		U012_S009	55
		D1964231	STRIPPER PLATE
U012_S002	56		
U012_S003	56		
U012_S004	56		
U012_S005	56		
U012_S006	56		
U012_S007	56		
U012_S008	56		
U012_S009	56		
D1964402	PAPER EXIT UNIT:ASS'Y	U013_S001	44
D1964455	GEAR:EXIT	U013_S001	19
D1964461	ROLLER:DRIVEN:EXIT:MIDDLE	U013_S001_S001	45
		U013_S001_S002	45
D1964462	ROLLER:DRIVEN:EXIT:OUTER	U013_S001_S003	46
		U013_S001_S004	46
D1964463	ROLLER:DRIVEN:EXIT:MIDDLE:ASS'Y	U013_S001_S001	47
		U013_S001_S002	47
D1964464	ROLLER:DRIVEN:EXIT:OUTER:ASS'Y	U013_S001_S003	48
		U013_S001_S004	48
D1964470	GROUND PLATE:ROTARY SOLENOID	U013_S001	20
D1964472	GEAR:IDLER:EXIT	U013_S001	21
D1964473	BRACKET:GEAR:EXIT	U013_S001	22
D1964474	SHAFT:ROTARY SOLENOID	U013_S001	23
D1964476	GEAR:IDLER:LARGE:EXIT	U013_S001	25
D1964477	GEAR:CHANGE:EXIT	U013_S001	26
D1964480	BRACKET:ROTARY SOLENOID:ASS'Y	U013_S001	27
D1964483	STOPPER:GATE PAWL:FRONT	U013_S001	28
D1964491	ROTARY SOLENOID:EXIT	U013_S001	29

## Exclusive Parts

Number	Part Name	Group	ID
D1964492	DAMPING INSULATION:ROTARY S OLENOID	U013_S001	30
D1964493	DAMPING INSULATION:ROTARY S OLENOID:SIDE	U013_S001	31
D1964494	LEVER:CHANGE:GATE PAWL	U013_S001	24
D1964520	FRAME:DUPLEX:ASS'Y	U014_S001_S002	17
D1964600	COMPRESSION SPRING:9N	U014	121
D1964601	CAP:COIL SPRING	U014	122
D1964602	HOOK:FRAME:DUPLEX:FRONT	U014_S001_S002	31
D1964603	HOOK:FRAME:DUPLEX:REAR	U014_S001_S002	33
D1964612	BASE:HINGE:REAR	U014_S001	24
D1964613	BASE:HINGE:FRONT	U014_S001	25
D1964630	FRAME:DUPLEX	U014_S001_S002	74
D1964700	FEELER:ENTRANCE SENSOR:REVERSE:DUPLEX	U014_S001	52
D1964717	COVER:ENTRANCE SENSOR	U014_S001	75
D1964723	SPONGE:DOOR:RIGHT:UPPER	U014_S001	76
D1964729	SHEET:COVER:RIGHT:2	U014_S001	77
D1964730	SHEET:COVER:RIGHT:4	U014_S001	78
D1965092	(Pin Set):STUD:ASS'Y	U018	17
D1965093	(Bracket Set):BRACKET:ASS'Y	U018	18
D1965098	(Base Set):MAIN:ASS'Y	U018_S011	19
D1965101	(D196/D214/D236):PCB:BICU:ASS'Y	U016	76
D1965160	PCB:BRB	U008	20
D1965853	BRACKET:INTERFACE:JL2	U016	88
D1965854	COVER:REAR	U001	35
D1965930	COVER:HARNESS:PCU:FRONT	U016	78
D1966002	TRANSFER UNIT:INTERMEDIATE TRANSFER:SERVICE:ASS'Y	U009_S001	39
D1966182	STOPPER:TRANSFER UNIT	U009	49
D1966201	TRANSFER/SEPARATION UNIT:SE COND:ASS'Y	U010_S001	13
D1966315	CASING:TRANSFER ROLLER:FRONT	U014_S001	123
D1966316	CASING:TRANSFER ROLLER:REAR	U014_S001	124
D1966317	STAY:CASING:TRANSFER ROLLER	U014_S001	125

Number	Part Name	Group	ID
D1966318	PRESSURE PLATE:HOLDER:TRANSFER ROLLER:REAR	U014_S001	126
D1966319	STOPPER:PRESSURE:TRANSFER ROLLER	U014_S001	127
D1966321	TERMINAL:BIAS:TRANSFER:SECOND:CASE	U014_S001	128
D1966323	PLATE:STAY:TRANSFER/SEPARATION UNIT	U014_S001	129
D1966328	TERMINAL:BIAS:TRANSFER ROLLER	U014_S001	130
D1966334	COMPRESSION SPRING:EARTH:STAY:TRANSFER/SEPARATION UNIT	U014_S001	131
D1966356	BRACKET:DRIVE:ON-OFF:ASS'Y	U009	40
D1966362	COVER:BRACKET:DRIVE:ON-OFF	U009	41
D1966381	GUIDE PLATE:BRACKET:DENSITY SENSOR:FRONT:ASS'Y	U009	42
D1966383	GUIDE PLATE:BRACKET:DENSITY SENSOR:REAR:ASS'Y	U009	43
D1966388	BRACKET:DENSITY SENSOR	U009	44
D1966390	SHUTTER:DENSITY SENSOR	U009	45
D1966391	GUIDE PLATE:RELAY	U009	46
D1966395	DENSITY SENSOR:P/TM	U009	47
<b>D1966585</b>	<b>(D196/D214/D236):BRACKET:COLLECTION BOTTLE:RIGHT:PRESS FIT</b>	<b>U011</b>	<b>17</b>
D1966801	(D196/D214):(-EU,-NA,-AA,-KOR):DECAL:MODEL NAME PLATE:RIC	U019	33
D1966811	(-AA,-KOR):SHEET:LOGO:LAN	U019	34
D1966812	(-AA,-KOR):SHEET:LOGO:GES	U019	35
D1969590	NVRAM	U016	81
D2025818	BRACKET:HDD	U016	82
D2051526	GASKET:HINGE	U014_S001	132
D2146801	(-CHN):DECAL:MODEL NAME PLATE:RIC	U019	36
D2191860	(D219/D220):OPTICAL WRITING UNIT:ASS'Y	U005_S003	6
		U005_S004	6
		U005_S005	6

## Exclusive Parts

Number	Part Name	Group	ID
		U005_S006	6
		U005_S007	6
		U005_S008	6
		U005_S009	6
		U005_S010	6
D2195101	(D219/D220):PCB:BICU:ASS'Y	U016	83
D2196800	(D219/D220):(-EU,-NA,-AA,-KOR):DECAL:MODEL NAME PLATE:RIC	U019	37
D2206801	(D220):(-TWN):DECAL:MODEL NAME PLATE:RIC	U019	38
D2366801	(D236):(-TWN):DECAL:MODEL NAME PLATE:RIC	U019	39
D2960121	(D196/D214/D236):PCDU:K:SERVICE PARTS:B	U007_S008	15
D2960122	PCDU:C:SERVICE PARTS	U007_S001	16
D2960123	PCDU:M:SERVICE PARTS	U007_S002	17
D2960124	PCDU:Y:SERVICE PARTS	U007_S003	18
D2962619	GUIDE PLATE:REGISTRATION ROLLER:DRIVEN	U006	47
D2962800	PAPER TRAY:ASS'Y	U006_S003	159
D2962836	SIDE FENCE:REAR:ASS'Y	U006_S003_S002	126
D2963403	GEAR:IDLER:TONER BOTTLE	U008_S006	12
		U008_S007	12
		U008_S008	12
		U008_S009	12
D2970121	(D219/D220):PCDU:K:SERVICE PARTS:A	U007_S004	11
		U007_S005	11
		U007_S006	11
		U007_S007	11
D3A95262	(-NA):MODULER CORD:CORE	U019_S001	40
D3AW5674	(D219/D220):PCB:CTL_JL2_S:2ND	U016	92
D3AW5675	(D196/D214/D236):PCB:CTL_JL2_S:2ND	U016	91
D3BR1100	PAN HEAD TAPPING SCREW:M5X13:PIAS	U019	49
D5730400	(-NA,-TWN):HEATER:DEHUMIDIFIER	U018_S009	13
		U018_S010	13
D5730401	(-EU,-AA,-KOR,-CHN):HEATER:DE	U018_S006	14

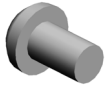
Number	Part Name	Group	ID
	HUMIDIFIER	U018_S007	14
		U018_S008	14
G0205626	PUSH SWITCH	U006	163
G1634453	GUIDE PLATE:REVERSE:UPPER	U013_S001	32
G1634459	STOPPER:EXIT:EXIT	U013_S001	33
G1634461	SPRING:PRESSURE:EXIT:OUTER	U013_S001	35
G1634463	GUIDE:PLATE:EXIT	U013_S001	36
G1634465	ROLLER:DRIVEN:DUPLEX:INNER	U013_S001	37
G1634467	ROLLER:DRIVEN:DUPLEX	U013_S001	39
G1634468	SPRING:PRESSURE:EXIT:INNER	U013_S001	40
G1634469	SPRING:PRESSURE:DUPLEX	U013_S001	41
G1666057	PLAIN SHAFT BEARING:ROLLER:BLADE	U009	48
G5553069	BASEPAD	U006_S003_S003	164
		U006_S004_S002	164
GA082010	BUSHING:DIA6:DIA10:9	U014_S001	79
		U014_S001_S002	79
GA082014	PLAIN SHAFT BEARING:DIA6:DIA10:9	U013_S001	42
GA082015	PLAIN SHAFT BEARING:DIA6:DIA9:7	U014_S001	80
GB013090	GEAR:PRESSURE ROLLER:Z29	U012_S001	57
		U012_S002	57
		U012_S003	57
		U012_S004	57
		U012_S005	57
		U012_S006	57
		U012_S007	57
		U012_S008	57
		U012_S009	57
GB013092	GEAR:IDLER:PRESSURE:Z17	U012_S001	58
		U012_S002	58
		U012_S003	58
		U012_S004	58
		U012_S005	58
		U012_S006	58
		U012_S007	58
		U012_S008	58

## Exclusive Parts

Number	Part Name	Group	ID
		U012_S009	58
GW010007	PHOTO REFLECTION SENSOR:EXIT	U013_S001	43
GX645734	FAN MOTOR:MM80 DC24V 3.12W	U016	86
H5235350	TELEPHONE CABLE	U019_S001	41
M0261265	CAP:TOTAL COUNTER	U001	36
M0262993	DECAL:SIDE FENCE:MANUAL FEED	U014_S001_S001	133
M0264371	NEW UNIT DETECT SENSOR	U012_S001	61
		U012_S002	61
		U012_S003	61
		U012_S004	61
		U012_S005	61
		U012_S006	61
		U012_S007	61
		U012_S008	61
		U012_S009	61
M0266340	GUIDE:PAPER:RAIL:ASS'Y	U012_S001	63
		U012_S002	63
		U012_S003	63
		U012_S004	63
		U012_S005	63
		U012_S006	63
		U012_S007	63
		U012_S008	63
		U012_S009	63
M0266890	(-EU,-NA,-AA,-KOR):DECAL:CAUTION:ORIGINAL:ENGLISH	U019	42
M0662743	FRICTION PAD:MANUAL FEED TABLE:18X7.5	U014_S001_S001	134
M0963989	RESISTOR:TRANSFER/SEPARATION	U006	167
		U006_S003	167
		U006_S004	167
		U012_S001	59
		U012_S002	59
		U012_S004	59
		U012_S005	59
M1011301	PLATE:LOGO:RIC	U019	43

Number	Part Name	Group	ID
M4445201	HDD:320GB:AQUARIUS	U016	87
NOTE2	See 3D parts catalog for the components of the DF1040 ARDF.	U003	1
Note	See 2D parts catalog for the components of the Smart Operation Panel.	U002_S001	14
		U002_S002	14
		U002_S003	14
		U002_S004	14
		U002_S005	14

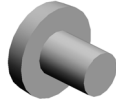
## Standard Parts



03125040N  
SCREW - M2.5X4



03130060N  
SCREW - M3X6



03530030N  
SCREW:M3X3



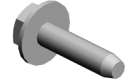
03530040N  
SCREW - M3X4



03530060N  
BIND SCREW - M3X6



03603006N  
SCREW - M3X6



03603012N  
SCREW:M3X12



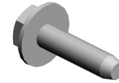
03603014N  
SCREW - M3X14



04503008N  
TAPPING SCREW - M3X8



04503010N  
TAPPING SCREW - M3X10



04503012N  
TAPPING SCREW:3X12



04503014N  
TAPPING SCREW:M3X14



04503025N  
TAPPING SCREW:3X25



04503035N  
TAPPING SCREW:3X35



04504008N  
TAPPING SCREW - M4X8



04513006N  
TAPPING SCREW - 3X6



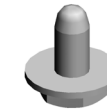
04513008N  
TAPPING SCREW - M3X8



04523008N  
TAPPING SCREW - M3X8



04523010N  
BINDING SELF-TAPPING SCREW:3X10



04543006Q  
TAPPING SCREW - M3X6



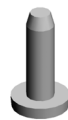
04543008N  
TAPPING SCREW:ROUND POINT:3X8



04543008Q  
TAPPING SCREW:3X8



04583008N  
HEXAGON HEAD TAPPING SCREW:3X8



04583010N  
HEXAGON HEAD TAPPING SCREW:3X10



06220120E  
SPRING PIN - 2X12MM



06320080G  
PARALLEL KEY - 2X8MM



07073050N  
BUSHING:DIA3X5



07200025E  
RETAINING RING - M2.5

## Standard Parts



07200030E  
RETAINING RING - M3



07200040E  
RETAINING RING - M4



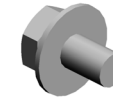
07200060E  
RETAINING RING - M6



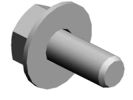
07270080E  
RETAINING RING - M8



07330406  
BUSHING - 4X6



08010231  
HEXAGONAL HEAD BOLT W/  
WASHER:M3X6



08046123  
HEXAGONAL BOLT:W/WASH  
ER:M3X8



08046128  
HEXAGONAL BOLT:DOUBLE  
SCREW:M3X10



08050103  
RETAINING RINGS-E:SILENC  
ER:DIA3



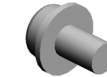
08050104  
RETAINING RINGS-E:SILENC  
ER:DIA4



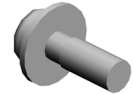
08053579  
BALL BEARING:DIA8XDIA16X  
5



09543006N  
SCREW - M3X6



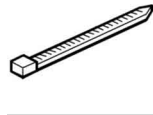
09544008N  
SCREW - M4X8



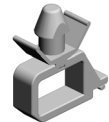
09544012N  
SCREW:POLISHED ROUND/  
SPRING:M4X12



09573010N  
SCREW:SMALL ROUND/SPRI  
NG:M3X10



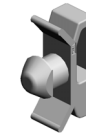
11050042  
WIRE BAND



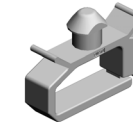
11050348  
CLAMP



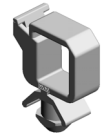
11050508  
HARNESS CLAMP - LWS-071  
1



11050511  
HARNESS CLAMP - LWS-030  
6ZC



11050516  
CLAMP



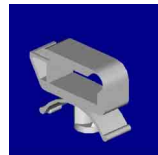
11050534  
CLAMP



11050542  
HARNESS CLAMP - MSBS-12  
07



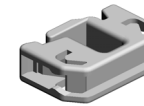
11050545  
CLAMP:FCR-30



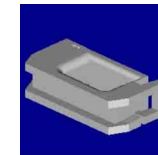
11050582  
CLAMP:RBWS-0510D-V0



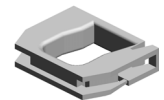
11050637  
HARNESS CLAMP - KGLS-10  
RT(V0)



11050692  
CLAMP:LES-0503

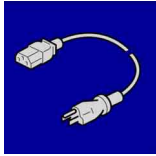


11050723  
CLAMPS:WES-0507

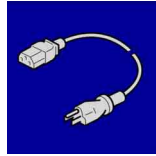


11050724  
CLAMPS:WES-1210

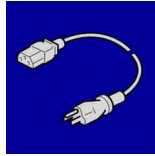
## Standard Parts



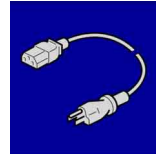
11500409  
(-TWN):POWER SUPPLY CO  
DE:125V:15A



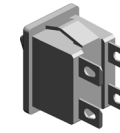
11500427  
(-NA):POWER SUPPLY CODE  
:125V:15A



11500456  
(-CHN):POWER SUPPLY COD  
E:250V:10A



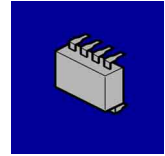
11500458  
(-EU,-AA,-KOR):POWER SUP  
PLY CODE:250V:10A



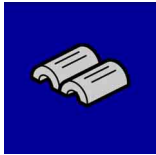
12042570  
ROCKER SWITCH:SDDJE132  
00



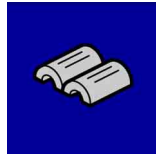
12042612  
MICRO SWITCH:D3V-16506-3  
C25



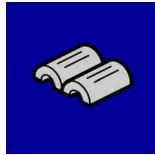
14077667  
EEPROM:BR24T128-W



16072251  
(D219/D220):(-EU,-NA,-AA):FE  
RRITE CORE:K3 NF-75(N)BK  
0



16072298  
FERRITE CORE:K3 FF 33.50X  
8.00X6.50X1.30



16072358  
FERRITE CORE:K3 FF 33.50X  
20.00X6.50X1.30

## PM Part List

Number	Part Name	Num	Group	ID
D1176401	COLLECTION BOTTLE:ASS'Y	1	U011_S001	13
D1964037	(-NA):SLEEVE:FUSING:ASS'Y	2	U012_S004_S002	49
			U012_S008_S002	49
D1964038	(-EU,-AA,-KOR,-CHN):SLEEV E:FUSING:ASS'Y	5	U012_S001_S002	50
			U012_S002_S002	50
			U012_S003_S002	50
			U012_S006_S002	50
			U012_S007_S002	50
D1964039	(-TWN):SLEEVE:FUSING:ASS 'Y	2	U012_S005_S002	51
			U012_S009_S002	51
D2960121	(D196/D214/D236):PCDU:K:S ERVICE PARTS:B	1	U007_S008	15
D2960122	PCDU:C:SERVICE PARTS	1	U007_S001	16
D2960123	PCDU:M:SERVICE PARTS	1	U007_S002	17
D2960124	PCDU:Y:SERVICE PARTS	1	U007_S003	18
D2970121	(D219/D220):PCDU:K:SERVI CE PARTS:A	4	U007_S004	11
			U007_S005	11
			U007_S006	11
			U007_S007	11

## Design Change List

Number	Title	Set	Old Part		New Part		Index No.		Q'ty	Interchg		Reason	Cut-in S/N
			P/N	Name	P/N	Name	Group	ID		Indiv.	Set		
201905-01	1905 Modification	-			D1966585	(D196/D214/D236):BRACKET:COLLECTION BOTTLE:RIGHT:PRESS FIT	U011	17	1				
201904-01	1904 Modification	-			D1174332	BRACKET:THERMOPILE	U012	64	1				
201903-01	1903 Modification	-	B0042310	SPUR	M0266340	GUIDE:PAPER:RAIL:ASS'Y	U012_S001	63	6	O/O			
							U012_S002	63	6				
							U012_S003	63	6				
							U012_S004	63	6				
							U012_S005	63	6				
							U012_S006	63	6				
							U012_S007	63	6				
							U012_S008	63	6				
							U012_S009	63	6				
201902-01	1902 Modification	-	D3AW5671	(D219/D220):PCB:CTL_JL2_S:2ND	D3AW5674	(D219/D220):PCB:CTL_JL2_S:2ND	U016	92	1	O/O			
			D3AW5671	(D219/D220):PCB:CTL_JL2_S:2ND	D3AW5674	(D219/D220):PCB:CTL_JL2_S:2ND	U016	92	1	O/O			
			D3AW5671	(D219/D220):PCB:CTL_JL2_S:2ND	D3AW5674	(D219/D220):PCB:CTL_JL2_S:2ND	U016	92	1	O/O			
			D3AW5671	(D219/D220):PCB:CTL_JL2_S:2ND	D3AW5674	(D219/D220):PCB:CTL_JL2_S:2ND	U016	92	1	O/O			
201901-01	1901 Modification	-	D3AW5672	(D196/D214/D236):PCB:CTL_JL2_S:2ND	D3AW5675	(D196/D214/D236):PCB:CTL_JL2_S:2ND	U016	91	1	O/O			
201810-01	1810 Modification	-			D1171358	GROUND PLATE:UPPER:ASS'Y	U001	37	1				
201809-01	1809 Modification	-	AW100138	THERMOPILE	AW100183	THERMOPILE	U012	62	1	O/O			

## Design Change List

Number	Title	Set	Old Part		New Part		Index No.		Q'ty	Interchg		Reason	Cut-in S/N
			P/N	Name	P/N	Name	Group	ID		Indiv.	Set		
201807-01	1807 Modification	-	D1961555	(-EU,-NA,-AA,-KOR,-TWN):OPERATION SUB-UNIT: ASS'Y	D1961575	(-EU,-NA,-AA,-KOR,-TWN):OPERATION SUB-UNIT: ASS'Y	U002_S001	17	1	O/O			
			D1961555	(-EU,-NA,-AA,-KOR,-TWN):OPERATION SUB-UNIT: ASS'Y	D1961575	(-EU,-NA,-AA,-KOR,-TWN):OPERATION SUB-UNIT: ASS'Y	U002_S002	17	1	O/O			
			D1961555	(-EU,-NA,-AA,-KOR,-TWN):OPERATION SUB-UNIT: ASS'Y	D1961575	(-EU,-NA,-AA,-KOR,-TWN):OPERATION SUB-UNIT: ASS'Y	U002_S003	17	1	O/O			
			D1961555	(-EU,-NA,-AA,-KOR,-TWN):OPERATION SUB-UNIT: ASS'Y	D1961575	(-EU,-NA,-AA,-KOR,-TWN):OPERATION SUB-UNIT: ASS'Y	U002_S004	17	1	O/O			
201806-01	1806 Modification	-			D1966182	STOPPER:TRANSFER UNIT	U009	49	1				
201712-01	1712 Modification	-	D2140122	PCDU:C:SERVICE PARTS	D2960122	PCDU:C:SERVICE PARTS	U007_S001	16	1	O/O			
201712-02	1712 Modification	-	D2140123	PCDU:M:SERVICE PARTS	D2960123	PCDU:M:SERVICE PARTS	U007_S002	17	1	O/O			
201712-03	1712 Modification	-	D2140124	PCDU:Y:SERVICE PARTS	D2960124	PCDU:Y:SERVICE PARTS	U007_S003	18	1	O/O			
201710-01	1710 Modification	-	D3AW5682	(D196/D214/D236):PCB:CTL_JL2_S:2ND	D3AW5672	(D196/D214/D236):PCB:CTL_JL2_S:2ND	U016	90	1	O/O			
201708-01	1708 Modification	-	D3AW5681	(D219/D220):PCB:CTL_JL2_S:2ND	D3AW5671	(D219/D220):PCB:CTL_JL2_S:2ND	U016	89	1	O/O			
			D3AW5681	(D219/D220):PCB	D3AW5671	(D219/D220):PCB	U016	89	1	O/O			

## Design Change List

Number	Title	Set	Old Part		New Part		Index No.		Q'ty	Interchg		Reason	Cut-in S/N
			P/N	Name	P/N	Name	Group	ID		Indiv.	Set		
		-		:CTL_JL2_S:2ND		:CTL_JL2_S:2ND							
			D3AW5681	(D219/D220):PCB :CTL_JL2_S:2ND	D3AW5671	(D219/D220):PCB :CTL_JL2_S:2ND	U016	89	1	O/O			
			D3AW5681	(D219/D220):PCB :CTL_JL2_S:2ND	D3AW5671	(D219/D220):PCB :CTL_JL2_S:2ND	U016	89	1	O/O			
201705-01	1705 Modification	-	D1173403	GEAR:IDLER:TO NER BOTTLE	D2963403	GEAR:IDLER:TO NER BOTTLE	U008_S006	12	1	X/O			
							U008_S007	12	1				
							U008_S008	12	1				
							U008_S009	12	1				
201704-01	1704 Modification	-	D2140125	(D196/D214/D236 ):PCDU:BK:SERV ICE PARTS	D2960121	(D196/D214/D236 ):PCDU:K:SERVI CE PARTS:B	U007_S008	15	1	O/O			
201704-02	1704 Modification	-			D1964600	COMPRESSION SPRING:9N	U014	121	1				
201704-03	1704 Modification	-			D1964601	CAP:COIL SPRIN G	U014	122	1				
201704-04	1704 Modification	-			D1960072	OPTICAL READI NG SECTION	U004_S001	24	1				
201704-05	1704 Modification	-			D1960251	DUPLEX UNIT:AS S'Y	U014_S001	120	1				
201703-01	1703 Modification	-			D1964032	(D196/D214)(-EU, -AA,-KOR,-CHN): FUSING UNIT:SE RVICE PARTS	U012_S001	44	1				
					D1964032	(D196/D214)(-EU, -AA,-KOR,-CHN): FUSING UNIT:SE RVICE PARTS	U012_S002	44	1				
201703-02	1703 Modification	-			D1964031	(D196)(-NA):FUSI NG UNIT:SERVIC	U012_S004	43	1				

## Design Change List

Number	Title	Set	Old Part		New Part		Index No.		Q'ty	Interchg		Reason	Cut-in S/N
			P/N	Name	P/N	Name	Group	ID		Indiv.	Set		
		-				E PARTS							
201703-03	1703 Modification	-			D1964033	(D236)(-TWN):FUSING UNIT:SERVICE PARTS	U012_S005	45	1				
201702-01	1702 Modification	-			D1962701	MANUAL FEED UNIT:ASS'Y	U006_S004	168	1				
201612-01	1612 Modification	-	D2195100	(D219/D220):PCB:BICU:ASS'Y	D2195101	(D219/D220):PCB:BICU:ASS'Y	U016	83	4	X/O			
201612-02	1612 Modification	-	D1172836	SIDE FENCE:REAR:ASS'Y	D2962836	SIDE FENCE:REAR:ASS'Y	U006_S003_S002	126	1	O/O			
201612-03	1612 Modification	-	D1962800	PAPER TRAY:ASS'Y	D2962800	PAPER TRAY:ASS'Y	U006_S003	159	1	O/O			
201612-04	1612 Modification	-	D2140121	(D219/D220):PCDU:BK:SERVICE PARTS	D2970121	(D219/D220):PCDU:K:SERVICE PARTS:A	U007_S004	11	1	O/O			
			D2140121	(D219/D220):PCDU:BK:SERVICE PARTS	D2970121	(D219/D220):PCDU:K:SERVICE PARTS:A	U007_S005	11	1	O/O			
			D2140121	(D219/D220):PCDU:BK:SERVICE PARTS	D2970121	(D219/D220):PCDU:K:SERVICE PARTS:A	U007_S006	11	1	O/O			
			D2140121	(D219/D220):PCDU:BK:SERVICE PARTS	D2970121	(D219/D220):PCDU:K:SERVICE PARTS:A	U007_S007	11	1	O/O			
201611-01	1611 Modification	-			D1964463	ROLLER:DRIVEN:EXIT:MIDDLE:ASS'Y	U013_S001_S001	47	1				
					D1964463	ROLLER:DRIVEN:EXIT:MIDDLE:ASS'Y	U013_S001_S002	47	1				

## Design Change List

Number	Title	Set	Old Part		New Part		Index No.		Q'ty	Interchg		Reason	Cut-in S/N
			P/N	Name	P/N	Name	Group	ID		Indiv.	Set		
201611-02	1611 Modification	-			D1964464	ROLLER:DRIVEN :EXIT:OUTER:AS S'Y	U013_S001 _S003	48	1				
					D1964464	ROLLER:DRIVEN :EXIT:OUTER:AS S'Y	U013_S001 _S004	48	1				
201611-03	1611 Modification	-			D1964461	ROLLER:DRIVEN :EXIT:MIDDLE	U013_S001 _S001	45	1				
					D1964461	ROLLER:DRIVEN :EXIT:MIDDLE	U013_S001 _S002	45	1				
201611-04	1611 Modification	-			D1964462	ROLLER:DRIVEN :EXIT:OUTER	U013_S001 _S003	46	1				
					D1964462	ROLLER:DRIVEN :EXIT:OUTER	U013_S001 _S004	46	1				
201611-05	1611 Modification	-	D1965100	(D196/D214/D236 ):PCB:BICU:ASS' Y	D1965101	(D196/D214/D236 ):PCB:BICU:ASS' Y	U016	76	1	X/O			
201611-07	1611 Modification	-			D3BR1100	PAN HEAD TAPP ING SCREW:M5X 13:PIAS	U019	49	1				
201611-08	1611 Modification	-			D1965853	BRACKET:INTER FACE:JL2	U016	88	1				
201610-01	1610 Modification	-			D1964402	PAPER EXIT UNI T:ASS'Y	U013_S001	44	1				
201609-01	1609 Modification	-	M0963989	RESISTOR:TRAN SFER/SEPARATI ON	D1964127	RESISTOR:FUSI NG SUB-UNIT	U012_S003	59	1	O/O			
			M0963989	RESISTOR:TRAN SFER/SEPARATI ON	D1964127	RESISTOR:FUSI NG SUB-UNIT	U012_S006	59	1	O/O			

## Design Change List

Number	Title	Set	Old Part		New Part		Index No.		Q'ty	Interchg		Reason	Cut-in S/N
			P/N	Name	P/N	Name	Group	ID		Indiv.	Set		
		-	M0963989	RESISTOR:TRANSFER/SEPARATION	D1964127	RESISTOR:FUSING SUB-UNIT	U012_S007	59	1	O/O			
		-	M0963989	RESISTOR:TRANSFER/SEPARATION	D1964127	RESISTOR:FUSING SUB-UNIT	U012_S008	59	1	O/O			
		-	M0963989	RESISTOR:TRANSFER/SEPARATION	D1964127	RESISTOR:FUSING SUB-UNIT	U012_S009	59	1	O/O			
201608-01	1608 Modification	-	D1495686	PCB:DCSW	D1775686	PCB:DCSW	U016	75	1	O/O			
201608-02	1608 Modification	-	D1961550	(-EU,-NA,-AA,-KOR,-TWN):OPERATION PANEL:ASS'Y	D1961555	(-EU,-NA,-AA,-KOR,-TWN):OPERATION SUB-UNIT:ASS'Y	U002	15	1	O/O			
		-	D1961550	(-EU,-NA,-AA,-KOR,-TWN):OPERATION PANEL:ASS'Y	D1961555	(-EU,-NA,-AA,-KOR,-TWN):OPERATION SUB-UNIT:ASS'Y	U002	15	1	O/O			
		-	D1961550	(-EU,-NA,-AA,-KOR,-TWN):OPERATION PANEL:ASS'Y	D1961555	(-EU,-NA,-AA,-KOR,-TWN):OPERATION SUB-UNIT:ASS'Y	U002	15	1	O/O			
		-	D1961550	(-EU,-NA,-AA,-KOR,-TWN):OPERATION PANEL:ASS'Y	D1961555	(-EU,-NA,-AA,-KOR,-TWN):OPERATION SUB-UNIT:ASS'Y	U002	15	1	O/O			
201607-01	1607 Modification	-	AW020203	PHOTOINTERRUPTOR:GP1A173LCS2F	AW020224	PHOTOINTERRUPTOR:GP1A173LCSVF	U006	33	1	O/O			
		-	AW020203	PHOTOINTERRUPTOR:GP1A173LCS2F	AW020224	PHOTOINTERRUPTOR:GP1A173LCSVF	U006_S004	33	1	O/O			

## Design Change List

Number	Title	Set	Old Part		New Part		Index No.		Q'ty	Interchg		Reason	Cut-in S/N
			P/N	Name	P/N	Name	Group	ID		Indiv.	Set		
		-		PTOR:GP1A173L CS2F		PTOR:GP1A173L CSVF							
			AW020203	PHOTOINTERRU PTOR:GP1A173L CS2F	AW020224	PHOTOINTERRU PTOR:GP1A173L CSVF	U006_S004	33	1	O/O			
			AW020203	PHOTOINTERRU PTOR:GP1A173L CS2F	AW020224	PHOTOINTERRU PTOR:GP1A173L CSVF	U006_S004	33	1	O/O			
			AW020203	PHOTOINTERRU PTOR:GP1A173L CS2F	AW020224	PHOTOINTERRU PTOR:GP1A173L CSVF	U014_S001	12	1	O/O			
201607-02	1607 Modification	-	D1172619	GUIDE PLATE:R EGISTRATION R OLLER:DRIVEN	D2962619	GUIDE PLATE:R EGISTRATION R OLLER:DRIVEN	U006	47	1	O/O			
201604-01	1604 Modification	-	D1174251	FUSING COVER: LOWER	D1964084	FUSING COVER: LOWER:ASS'Y	U012_S003	39	1	X/O			
			D1174251	FUSING COVER: LOWER	D1964084	FUSING COVER: LOWER:ASS'Y	U012_S006	39	1	X/O			
			D1174251	FUSING COVER: LOWER	D1964084	FUSING COVER: LOWER:ASS'Y	U012_S007	39	1	X/O			
			D1174251	FUSING COVER: LOWER	D1964084	FUSING COVER: LOWER:ASS'Y	U012_S008	39	1	X/O			
			D1174251	FUSING COVER: LOWER	D1964084	FUSING COVER: LOWER:ASS'Y	U012_S009	39	1	X/O			
201603-01	1603 Modification	-	D1964475	LEVER:CHANGE: GATE PAWL	D1964494	LEVER:CHANGE: GATE PAWL	U013_S001	24	1	O/O			
201603-02	1603 Modification	-	D1174520	FRAME:DUPLEX: ASS'Y	D1964520	FRAME:DUPLEX: ASS'Y	U014_S001 _S002	17	1	X/O			
201603-03	1603 Modification	-			D1961485	IC:NFC_TAG:MN 63Y3212N3	U019	48	1				

## Design Change List

Number	Title	Set	Old Part		New Part		Index No.		Q'ty	Interchg		Reason	Cut-in S/N
			P/N	Name	P/N	Name	Group	ID		Indiv.	Set		
201603-04	1603 Modification	-	D1965255	HARNESS:MAIN ASS'Y SECTION: ON-OFF:CONNECTING	D1965285	HARNESS:MAIN ASS'Y SECTION: ON-OFF:CONNECTING	B2(1/1)		1	X/X			
201603-05	1603 Modification	-	D1175248	HARNESS:MAIN ASS'Y SECTION: PAPER FEED:CONNECTING	D1175288	HARNESS:MAIN ASS'Y SECTION: PAPER FEED:CONNECTING	B1(1/1)		1	X/X			
201602-01	1602 Modification	A	D1174634	HOOK:FRAME:DUplex:FRONT	D1964602	HOOK:FRAME:DUplex:FRONT	U014_S001_S002	31	1	X/O	X/O		
201602-02	1602 Modification	A	D1174637	HOOK:FRAME:DUplex:REAR	D1964603	HOOK:FRAME:DUplex:REAR	U014_S001_S002	33	1	X/O	X/O		
201601-01	1601 Modification	-			B2776201	(D214):(-CHN):DECAL:ENERGY-SAVE	U019	47	1				
201601-02	1601 Modification	-			D1176265	SEAL:DISCHARGE:PLATE:FRONT	U010_S001	24	1				
201601-03	1601 Modification	-			D1176268	SHEET:DISCHARGE:PLATE	U010_S001	25	1				
201512-01	1512 Modification	-	D1174612	BASE:HINGE:REAR	D1964612	BASE:HINGE:REAR	U014_S001	24	1	X/O			
201512-02	1512 Modification	-	D1174613	BASE:HINGE:FRONT	D1964613	BASE:HINGE:FRONT	U014_S001	25	1	X/O			
201508-01	1508 Modification	-			B0042310	SPUR	U012_S001		1				
					B0042310	SPUR	U012_S001		1				
					B0042310	SPUR	U012_S001		1				
					B0042310	SPUR	U012_S001		1				
					B0042310	SPUR	U012_S001		1				
					B0042310	SPUR	U012_S001		1				
					B0042310	SPUR	U012_S002		1				

## Design Change List

Number	Title	Set	Old Part		New Part		Index No.		Q'ty	Interchg		Reason	Cut-in S/N
			P/N	Name	P/N	Name	Group	ID		Indiv.	Set		
		-			B0042310	SPUR	U012_S002		1				
					B0042310	SPUR	U012_S002		1				
					B0042310	SPUR	U012_S002		1				
					B0042310	SPUR	U012_S002		1				
					B0042310	SPUR	U012_S002		1				
					B0042310	SPUR	U012_S003	60	1				
					B0042310	SPUR	U012_S003	60	1				
					B0042310	SPUR	U012_S003	60	1				
					B0042310	SPUR	U012_S003	60	1				
					B0042310	SPUR	U012_S003	60	1				
					B0042310	SPUR	U012_S003	60	1				
					B0042310	SPUR	U012_S004		1				
					B0042310	SPUR	U012_S004		1				
					B0042310	SPUR	U012_S004		1				
					B0042310	SPUR	U012_S004		1				
					B0042310	SPUR	U012_S004		1				
					B0042310	SPUR	U012_S004		1				
					B0042310	SPUR	U012_S004		1				
					B0042310	SPUR	U012_S004		1				
					B0042310	SPUR	U012_S005		1				
					B0042310	SPUR	U012_S005		1				
					B0042310	SPUR	U012_S005		1				
					B0042310	SPUR	U012_S005		1				
					B0042310	SPUR	U012_S005		1				
					B0042310	SPUR	U012_S005		1				
					B0042310	SPUR	U012_S006	60	1				
					B0042310	SPUR	U012_S006	60	1				
					B0042310	SPUR	U012_S006	60	1				
					B0042310	SPUR	U012_S006	60	1				
					B0042310	SPUR	U012_S006	60	1				
					B0042310	SPUR	U012_S006	60	1				
					B0042310	SPUR	U012_S006	60	1				
					B0042310	SPUR	U012_S007	60	1				

## Design Change List

Number	Title	Set	Old Part		New Part		Index No.		Q'ty	Interchg		Reason	Cut-in S/N
			P/N	Name	P/N	Name	Group	ID		Indiv.	Set		
		-			B0042310	SPUR	U012_S007	60	1				
					B0042310	SPUR	U012_S007	60	1				
					B0042310	SPUR	U012_S007	60	1				
					B0042310	SPUR	U012_S007	60	1				
					B0042310	SPUR	U012_S007	60	1				
					B0042310	SPUR	U012_S008	60	1				
					B0042310	SPUR	U012_S008	60	1				
					B0042310	SPUR	U012_S008	60	1				
					B0042310	SPUR	U012_S008	60	1				
					B0042310	SPUR	U012_S008	60	1				
					B0042310	SPUR	U012_S008	60	1				
					B0042310	SPUR	U012_S009	60	1				
					B0042310	SPUR	U012_S009	60	1				
					B0042310	SPUR	U012_S009	60	1				
					B0042310	SPUR	U012_S009	60	1				
					B0042310	SPUR	U012_S009	60	1				
201508-02	1508 Modification	-	D1964032	(D196/D214)(-EU, -AA,-KOR,-CHN): FUSING UNIT:SERV VICE PARTS									
			D1964032	(D196/D214)(-EU, -AA,-KOR,-CHN): FUSING UNIT:SERV VICE PARTS									
201508-03	1508 Modification	-	D1964031	(D196)(-NA):FUSI NG UNIT:SERVIC E PARTS									
201508-04	1508 Modification	-	D1964033	(D236)(-TWN):FU SING UNIT:SERV									

## Design Change List

Number	Title	Set	Old Part		New Part		Index No.		Q'ty	Interchg		Reason	Cut-in S/N
			P/N	Name	P/N	Name	Group	ID		Indiv.	Set		
		-		ICE PARTS									
201508-05	1508 Modification	-			M0264371	NEW UNIT DETE CT SENSOR	U012_S001	61	1				
					M0264371	NEW UNIT DETE CT SENSOR	U012_S002	61	1				
					M0264371	NEW UNIT DETE CT SENSOR	U012_S003	61	1				
					M0264371	NEW UNIT DETE CT SENSOR	U012_S004	61	1				
					M0264371	NEW UNIT DETE CT SENSOR	U012_S005	61	1				
					M0264371	NEW UNIT DETE CT SENSOR	U012_S006	61	1				
					M0264371	NEW UNIT DETE CT SENSOR	U012_S007	61	1				
					M0264371	NEW UNIT DETE CT SENSOR	U012_S008	61	1				
					M0264371	NEW UNIT DETE CT SENSOR	U012_S009	61	1				
201510-01	1510 Modification	-	G1634460	ROLLER:DRIVEN :EXIT			U013_S001	34	2				
201510-02	1510 Modification	-	G1634466	ROLLER:DRIVEN :EXIT			U013_S001	38	2				
201511-01	1511 Modification	-	D1174700	FEELER:ENTRA NCE SENSOR:R EVERSE:DUPLE X	D1964700	FEELER:ENTRA NCE SENSOR:R EVERSE:DUPLE X	U014_S001	52	1	X/O			

